

K U'a UfhDUfhBc"

%\$\$) - %&(<

K U'a Ufh8YgWfd hcb

7 U`YbXUf`FUW

GWU'b'cfW]W_`Zcf
5ggYa V`mJ]XYc.



J]ghk k k "UXUf]b["Wc a #resources UbX`YbhYfmc i f
G5D. `ZcfU`D8: `Wc dmc Zh`Y]b gfi W]cb`g\`YYhg`

9UW`ghYd`WU b`VY`W]W`YX`c b`hc`↑ a`d`
hc`h`Uhd`c`fh]c`b`c`Zh`Y`5ggYa`V`mJ`]XYc`"

Ô`•`q`{`^i`Â`ı`ç`&`^`Ê`€`€`İ`Ğ`İ`Ĥ`€

D5: 9
FÁUØÁ

LA DARLING

REDEFINE. RETHINK. RETAIL SOLUTIONS.

@8`89G7 F`DHC`B

7 5 @B85F`F57?

@8`D5FHBC`"

Á`\$`%`%`\$`€

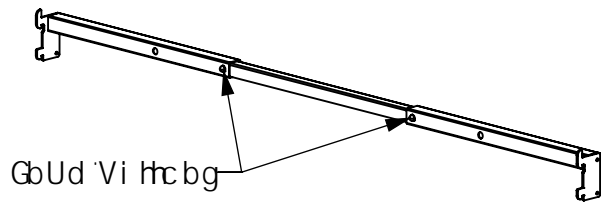
F9J`"
(

6M
FD

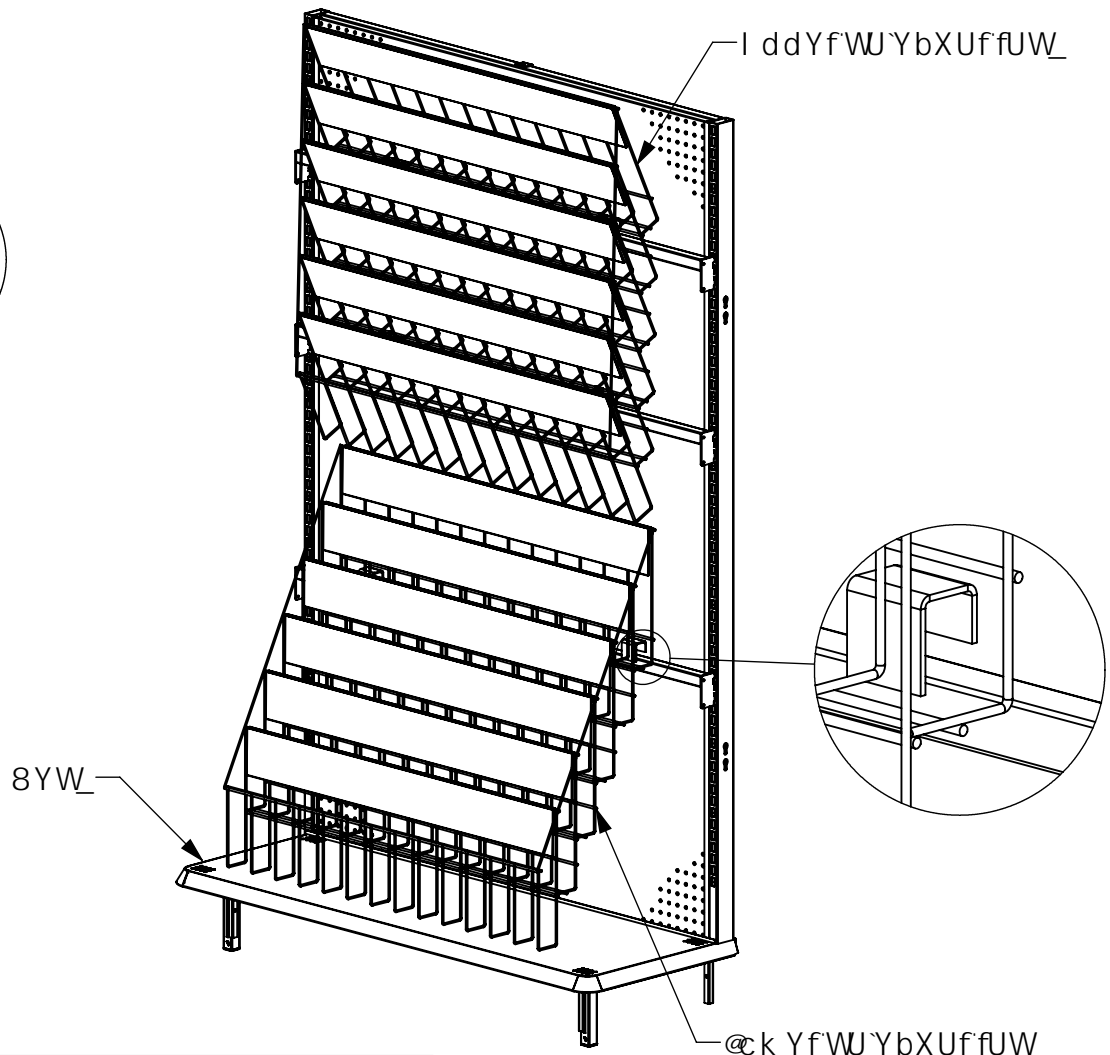
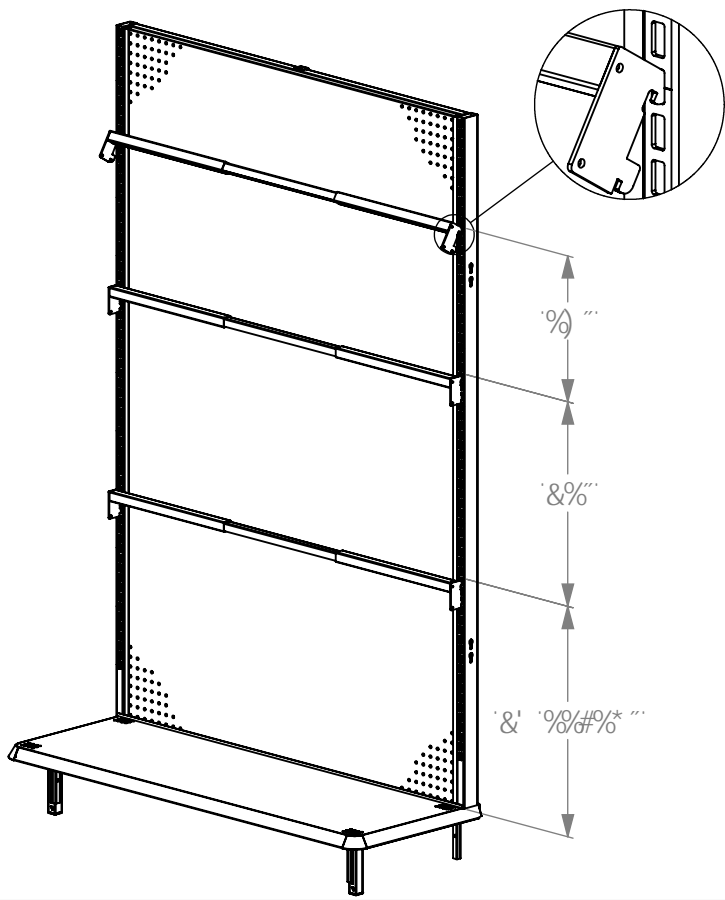
85H9
JEDFI

Step 1: 5X ↑ gh \ Ub [Ufa g hc Z]hk]Xh \ cZYbX ZUa Y"
 9bg fY h UhgbUd Vi hcbgUfY \ cW_YX]bhc \ c Yg'

GhYd " : <cc _i ddYfUbX \ ck YfWU YbXUffUW_g'
 c bhc \ Ub [VUfg' @k YfWU YbXUffUW_g'ci X fYgh'
 cb XYW"



GhYd & : bgtU \ Ub [Ufa g]bhc YbX ZUa Y Ugg\ck b'
 VY'ck"



LA DARLING
 REDEFINE. RETHINK. RETAIL SOLUTIONS.

8 89G7 F-DHC B
 75 @B85F F57?
 8 D5FHBC "
 Á \$%% (\$) €

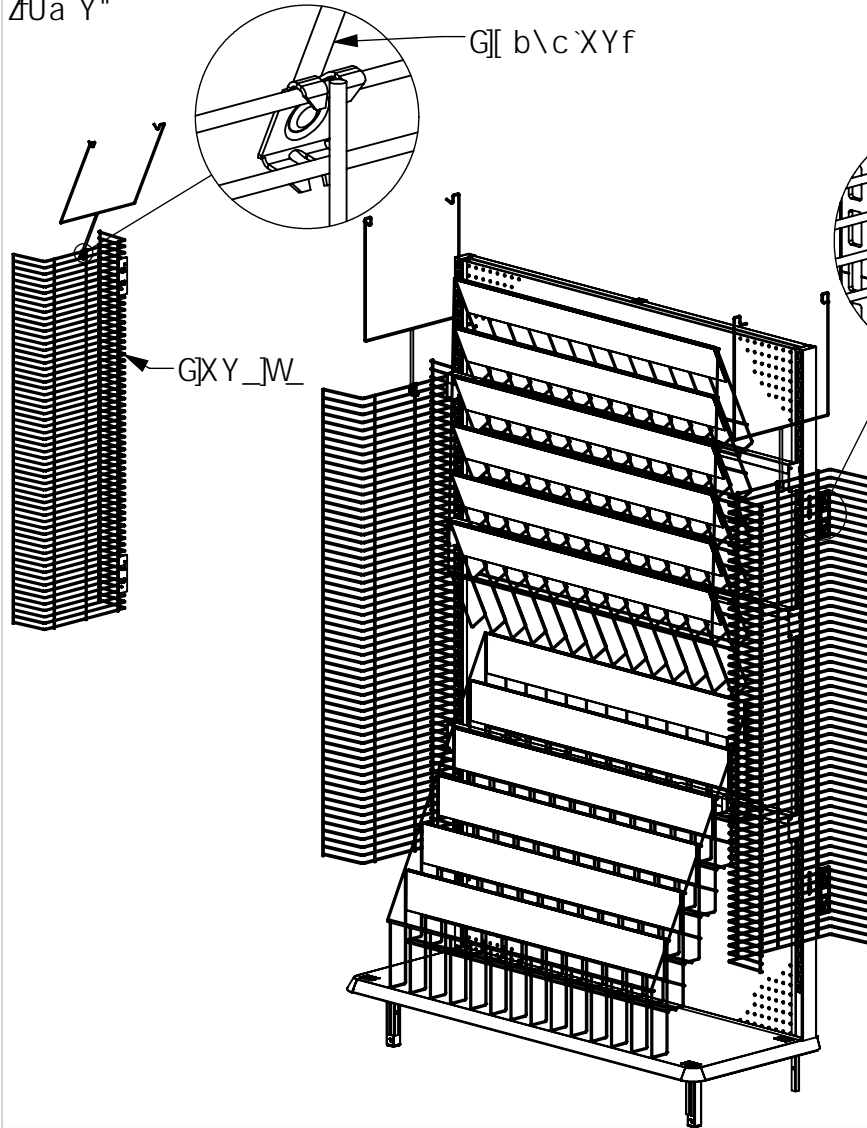
F9J " 6M 85H9
 (FD JEFĐİ

Ô • d { ^! Æ \ ç & \ A F E € E İ G E İ H E

D5: 9
 G U Ø Á

GhY d (. " < cc _ gj [b \ c XYfgcj Yfhcd k]fYzWVbhYfYX
 cb'h\Y'gjXY_W'g'"FchUHY'hc'j'YfhjWU'hc'gbUd'
 gj[b\c'XYfgc bhc'gjXY_W'"A I GH7 C A D@H9'
 69: C F9 B 9LHGFD"

GhY d) . " < cc _ YzhgjXY_W']bhc' _Ym\c'Ygcb'YbX'
 ZUa Y"

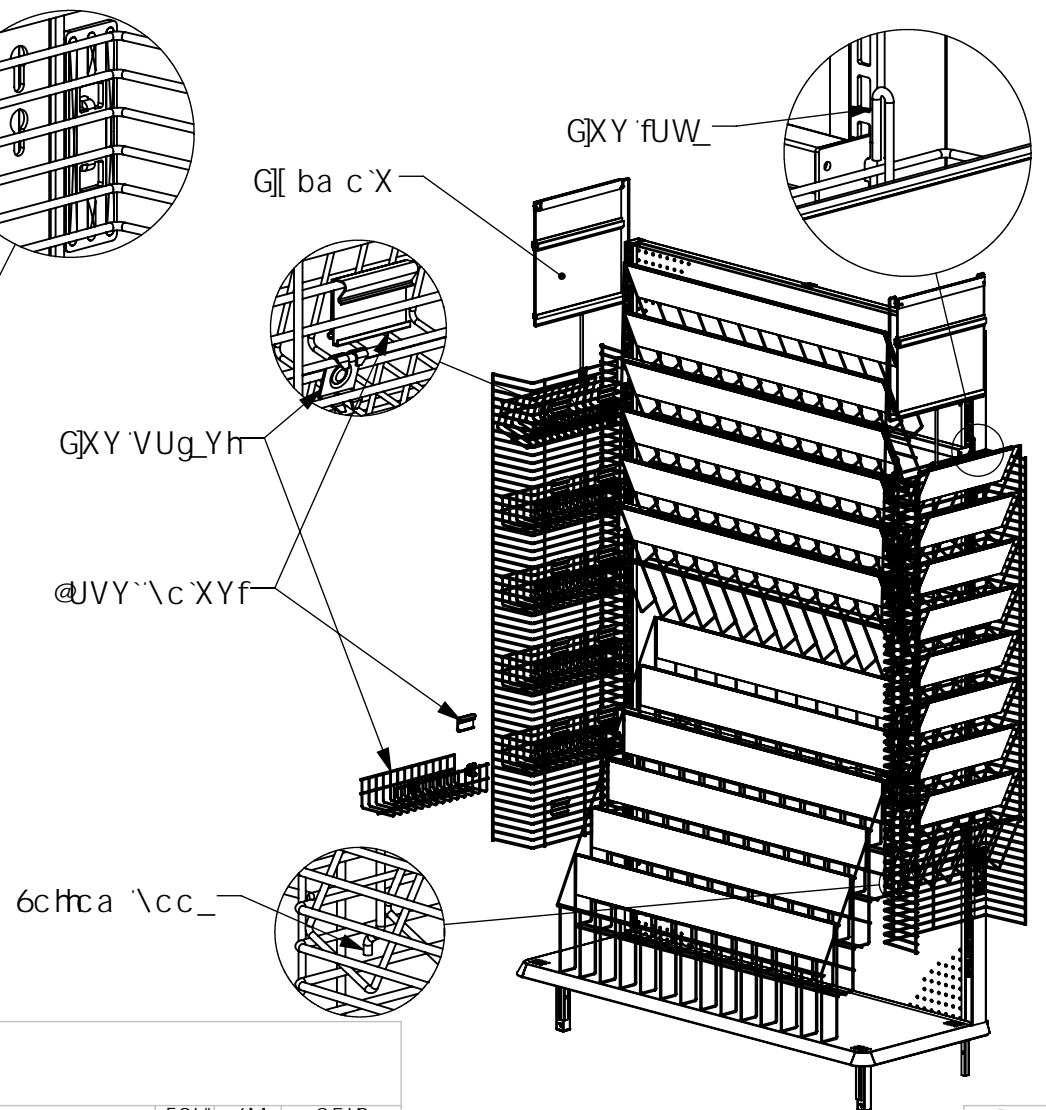


GhY d * . " < cc _ f [\ hgjXY_W']bhc' _Ym\c'Ygcb'YbX' ZUa Y"

GhY d + . " 5HjWV'gjXY'VUg_Yhg'hc'YzhgjXY_W'UWwcfX]b['hc'
 a cXi'Uf"

GhY d _ . " 5HjWV'gj[ba c'Xg'hc'gj[b\c'XYfg'

Step 9: " < cc _ UVY "\c'XYfg'cb'YzhgjXY_W'UVcj Y'gjXY'
 VUg_Yhg'UWwcfX]b['hc' a cXi'Uf"



LA DARLING
 REDEFINE. RETHINK. RETAIL SOLUTIONS.

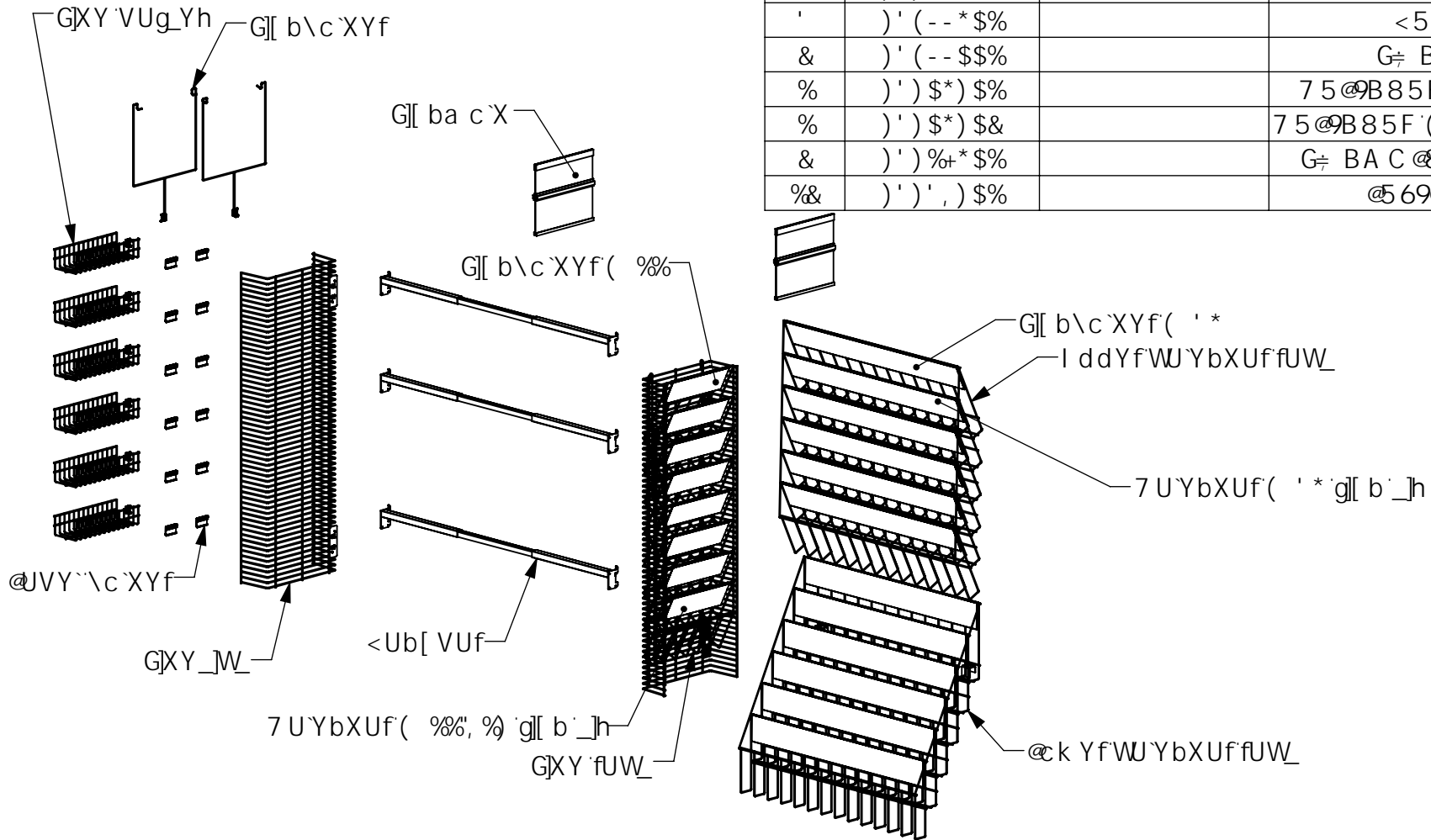
☎ 8 8967 F-DHC B
 75 @B85F'F57?
 ☎ 8 'D5FHBC"
 Á \$%% (\$) €

F9J" 6M 85H9
 (FD JEDF!

Ô • q { ^!Â\!ç&^!È €€È Ì GÈ Ì È

D5: 9
 HÁÚÁ

E HM	D5FHBI A 69F	K A 'G5D'BI A 69F	8 9G7 F-ÐHC B
%)' (-- +\$%		@K 9F '75 @B85F 'F57?
%)' (--, \$%		I DD9F '75 @B85F 'F57?
*)' (--) \$%		G-8 9'65G'9H
%)' (--- \$%		G-8 9'F57?
%&)')\$' *' *		G- B < C @8 9F '(L' ' *'
,)')\$' *%%		G- B < C @8 9F '(L' %%
&)')\$\$%\$%		G-8 9? -7?
')' (-- *\$%		<5B; 65F
&)' (-- \$\$%		G- B < C @8 9F
%)')\$*) \$%		75 @B85F '(L' * G- B ?#
%)')\$*) \$&		75 @B85F '(L%%, %) 'G- B ?#
&)')%+*\$%		G- B A C @8 '6@57? '%& %%
%&)')' ,)\$%		@69@<C @8 9F



LA DARLING

REDEFINE. RETHINK. RETAIL SOLUTIONS.

@8 '8 9G7 F-ÐHC B

75 @B85F 'F57?

@8 'D5FHBC "

Á \$%% \$%) €

F9J" 6M 85H9
(FD JEFÐÍ

Ô~•q { ^!Â\!ç&^fË €€Ë Ì GË Ì H€

D5: 9
I Á Ú Ä