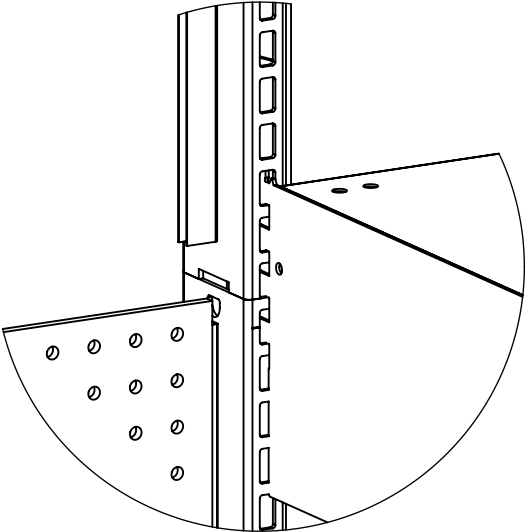


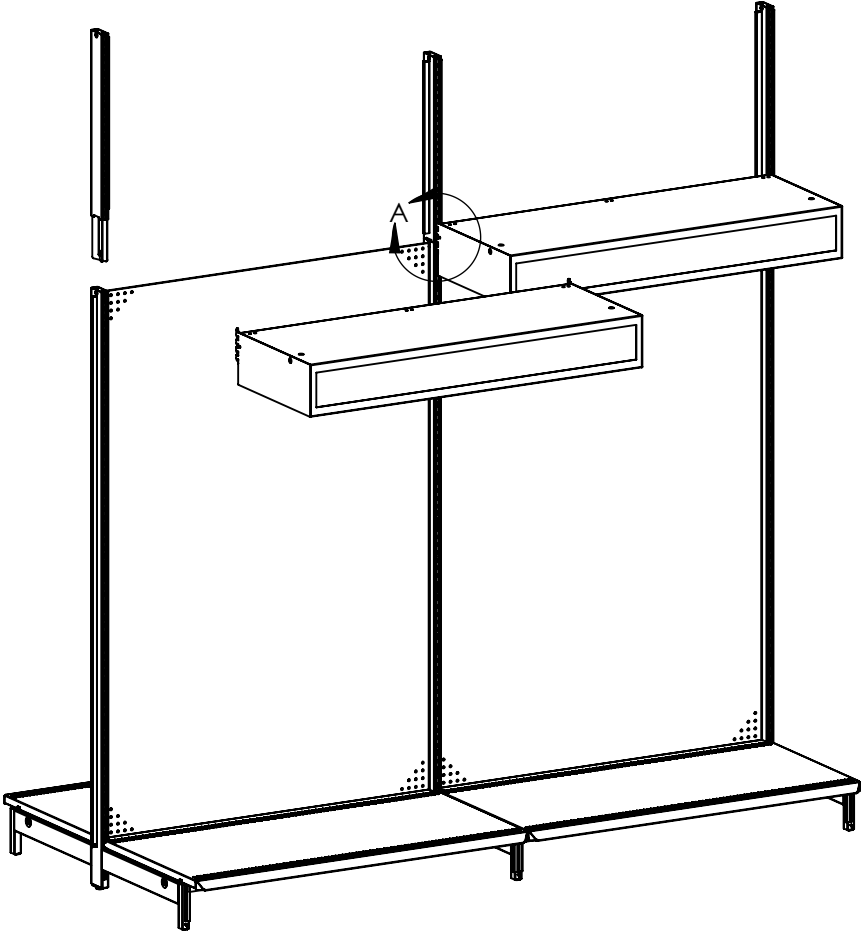
MOVIE CORNICE W/ LIGHT SAP# 100633167

STEP 1: INSTALL 24" EXTENDERS INTO 78" TALL GONDOLAS (SAP#100016309 & 100512723)

STEP 2: INSTALL CORNICES INTO 3RD SLOT OF EXTENDER BY TILTING THE CORNICE UPWARDS AND ROCKING THE HOOKS INTO PLACE. SEE DETAIL A



DETAIL A



LAD DESCRIPTION			
MOVIE CORNICE W/ LIGHT 1848			
LAD PART NO.	REV.	BY	DATE
20203800IS	2	RP	04/25/18

LIGHTING INSTALLATION

NOTE! EACH 96WATT POWER SUPPLY WILL POWER 2 SECTIONS OF CORNICE. OVERLOADING WILL CAUSE PREMATURE FAILURE OF POWER SUPPLY

STEP 1: INSTALL POWER SUPPLY INTO TRAY OF 1ST CORNICE.

STEP 2: CLIP 48"LIGHT BAR ONTO CLIPS AND ATTACH BARREL PLUG TO POWER SUPPLY

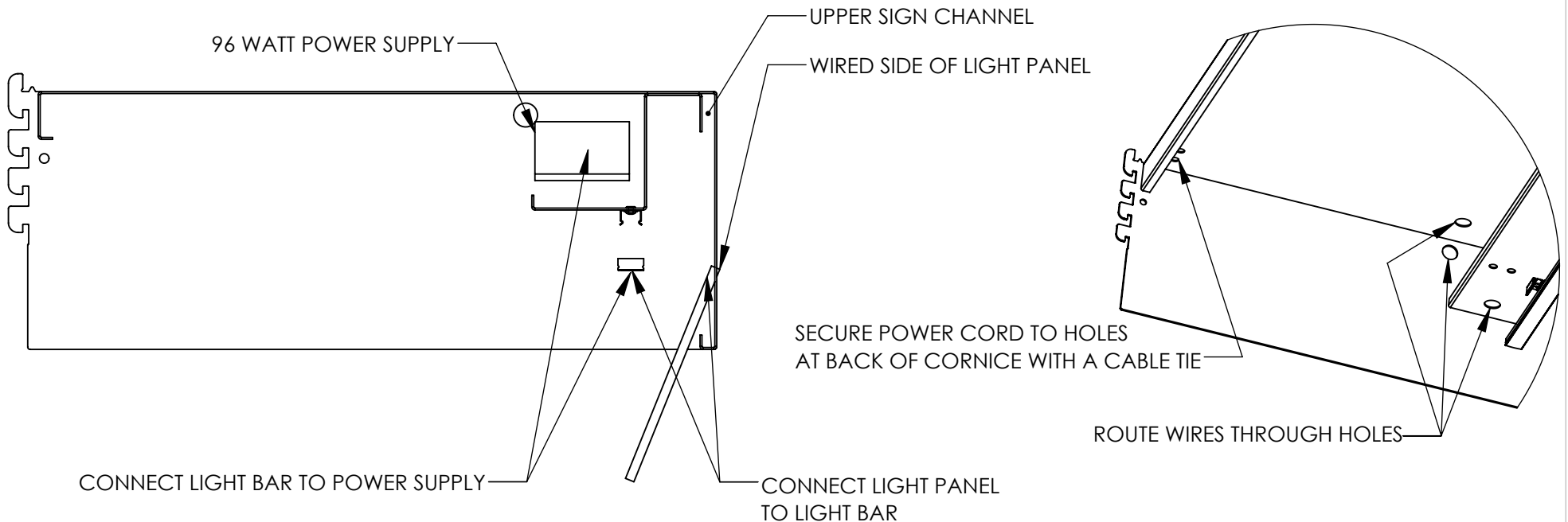
STEP 3: INSERT SIGNAGE FROM SIGN KIT INTO FRONT CHANNELS OF CORNICE BEFORE INSTALLING PANEL LIGHT. SIGNAGE INSTALLS SAME AS LIGHT PANEL.

STEP 4: TO INSTALL LIGHT PANEL, INSERT WIRED SIDE OF PANEL INTO THE UPPER SIGN CHANNEL OF CORNICE AND THEN LOWER LIGHT PANEL INTO BOTTOM CHANNEL.

STEP 5: CONNECT BARREL PLUG ON LIGHT PANEL TO REMAINING BARREL PLUG ON LIGHT BAR.

STEP 6: FOR 2ND CORNICE, FOLLOW STEPS 2-5 EXCEPT ROUTE END BARREL PLUG THROUGH HOLES IN BRACKET AND ATTACH TO POWER SUPPLY IN FIRST CORNICE.

STEP 7: ENSURE EXCESS WIRING IS TUCKED AWAY IN REAR TRAY. NOTE! LIGHT PANEL WILL NEED TO BE REMOVED FOR FUTURE SIGN CHANGES. ENSURE CABLES HAVE SLACK TO ALLOW LIGHT PANEL TO BE REMOVED. CABLES CAN BE SECURED TO TRAY WITH A CABLE TIE.



LA DARLING

REDEFINE. RETHINK. RETAIL SOLUTIONS.

LAD DESCRIPTION

MOVIE CORNICE W/ LIGHT 1848

LAD PART NO.
20203800IS

REV.	BY	DATE
2	RP	04/25/18

Customer Service 1-800-682-5730

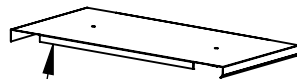
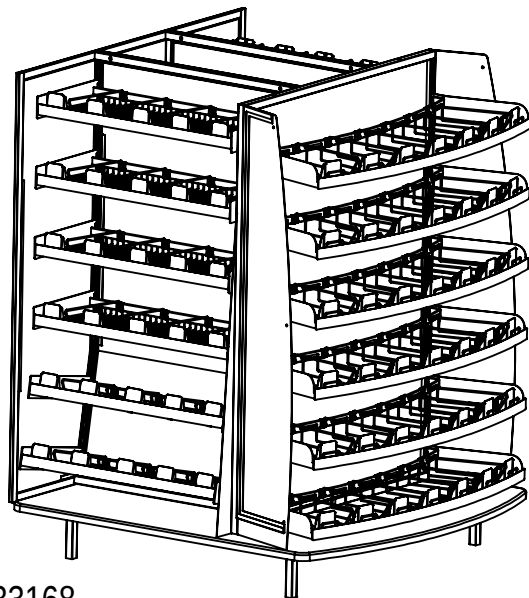
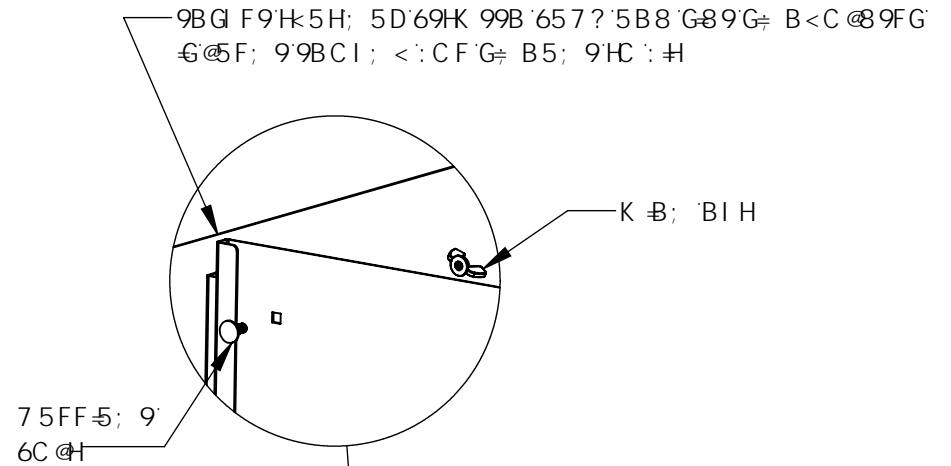
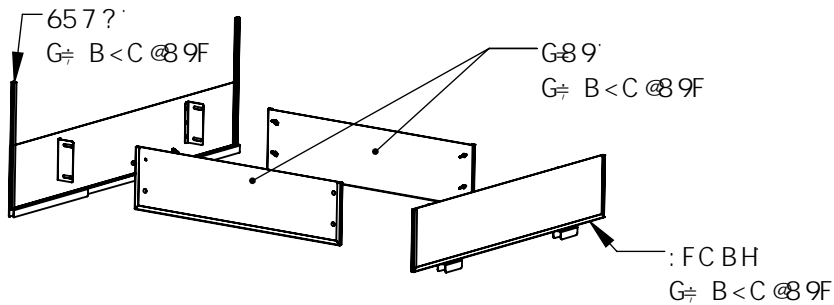
PAGE
2 OF 2

STEP 1: REMOVE EXISTING TOP FROM END CAP.

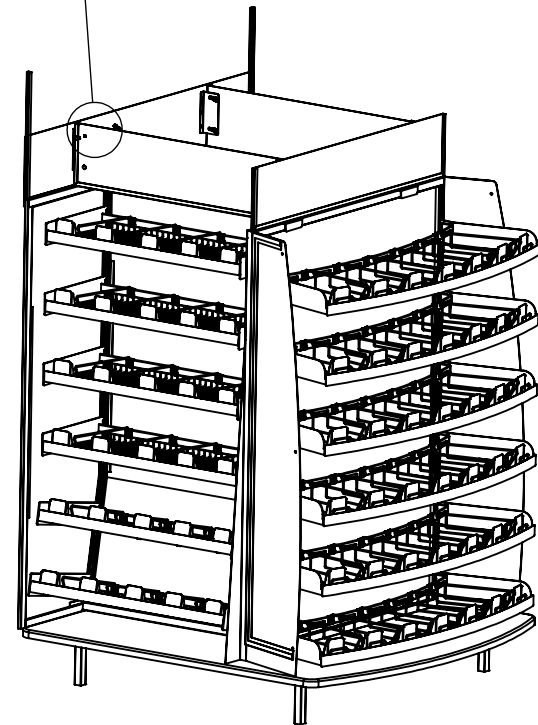
STEP 2: LOWER FRONT AND BACK SIGNHOLDERS ONTO END CAP.

STEP 3: ATTACH SIDE SIGNHOLDERS TO FRONT AND BACK SIGNHOLDERS USING CARRIAGE BOLTS AND WINGNUTS.

STEP 4: INSTALL SIGNAGE (SUPPLIED SEPERATELY) PER MODULAR GUIDELINES.



REMOVE EXISTING TOP



SAP# 100633168

LA DARLING

REDEFINE. RETHINK. RETAIL SOLUTIONS.

SCDADUOU@VQBP

A C J 9'9B8'75D'HC DD9F'BGFI 7HC BG

SCDADUOU@VQBP

A'*, -\$\$\$G

UOXE OY

F UÜ

OCE/O

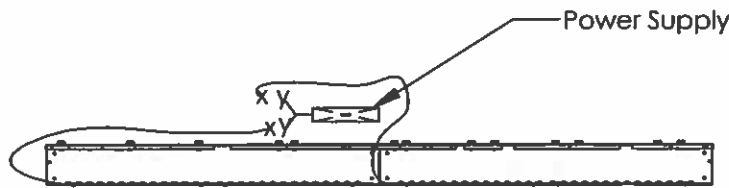
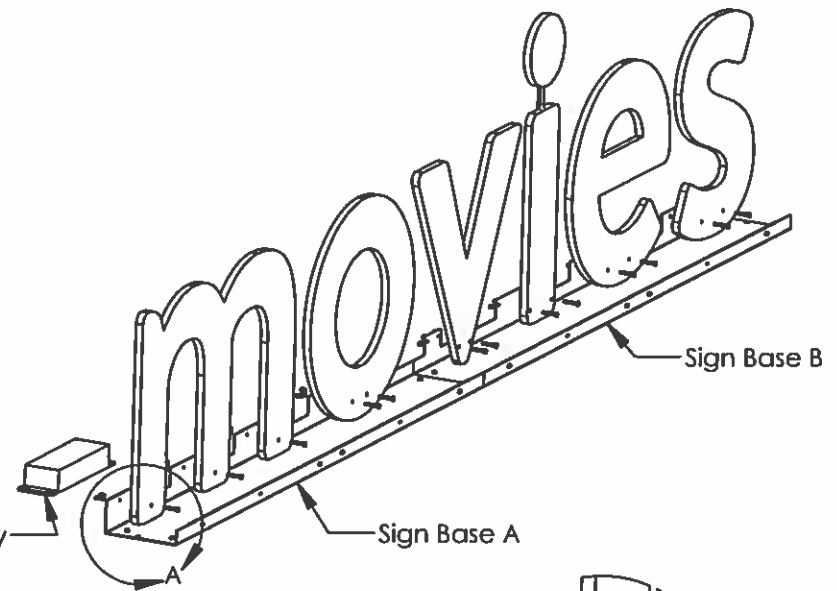
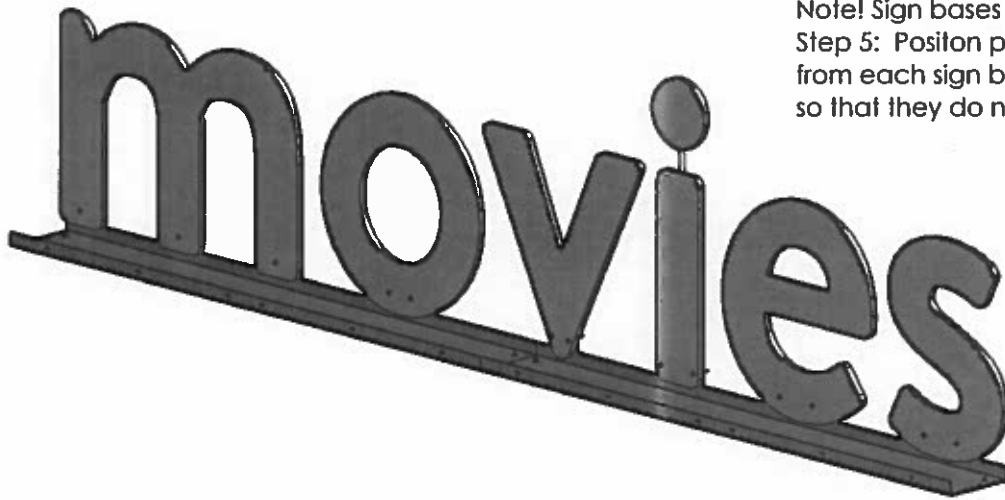
FDBFJ

7i gta YfGYfj JW %,\$\$!*, &!) + '\$

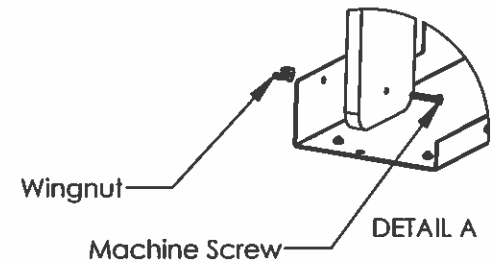
UOXE
FÁJØÆ

SAP#100633365

- Step 1: Peel protective film off of each acrylic letter
- Step 2: Attach "mo" to Sign Base A using 5 machine screws and wing nuts. (Phillips Head Screwdriver req.) See Detail A
- Step 3: Attach "vies" to Sign Base B using 8 machine screws and wing nuts.
- Step 4: Position Sign Base A and B into desired location on top of movie cornice.
- Note! Sign bases are magnetic.
- Step 5: Position power supply behind "movies" sign and plug the male barrel plug (x) from each sign base into the female barrel plug (y) on the power supply. Secure cords so that they do not interfere with light from the light strip.



Wiring Detail



LAD DESCRIPTION			
MOVIES OVERHEAD SIGN			
LAD PART NO.	REV.	BY	DATE
53633000IS	1	CJS	3/8/18

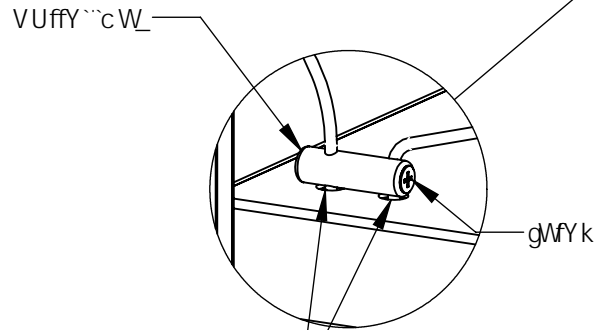
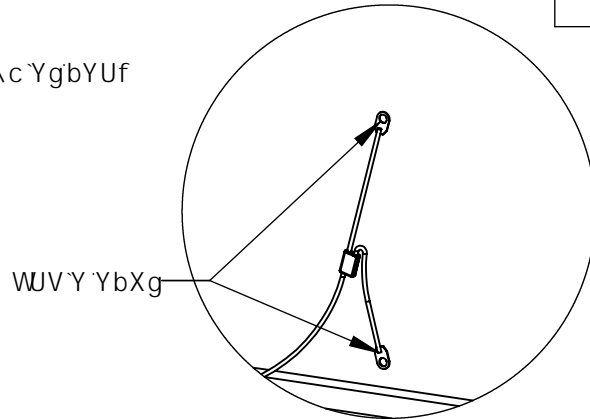
GhYd % '5HJWV ZYhfc HJ 'dYfa Ubi ZJWfi fyf]bgrfi Wjcbg'

GhYd & '6c'hWUVY YbXgfc j Yfh]WU'a ci bh]b [\c'Ygcb HJ ''
FYdYUhZcfcddcg]hY'g]XY'cZHJ ''

GhYd ' 'GyhHJ 'cb'hd'cZa cj]Y 'Wc'fb]W''

GhYd ('Di ''WUVYg'h] \h'h'fci [\ 'VUffY''cW_gUbX \c'Yg'bYUf
VUW_ Wc'fbYfgcZH'Y'a cj]Y 'Wc'fb]W''

GhYd) . '@_W_ VUffY''cW_gVmh] [\h'y'b]b ['gWfYk g'

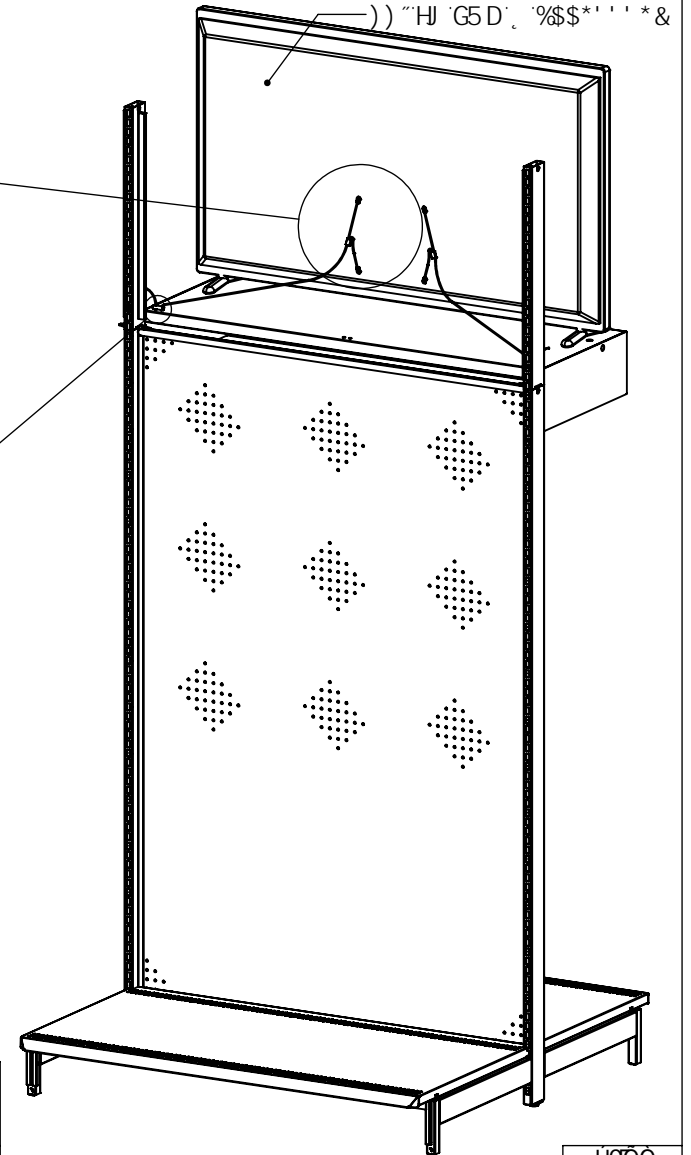


\c'Yg]b'a cj]Y 'Wc'fb]W''
G5D' . %\$*' ' %* +

Y æ{ ædÙædÙ [È %\$\$)), * \$)

Y æ{ ædÙ^•&āā }

**756 @) 95 ' , -B' @ ' &\$G7F9K G'
* K G < 9FG'HJK 5 @**



7i gca YfGYfj]W' % , \$\$! * , &) + ' \$

UædÙ
FÁJØÆ

LA DARLING

REDEFINE. RETHINK. RETAIL SOLUTIONS.

SCæDÙæDÙæVæWæP

A C J -9K 5 @@HJ '5B7 <CF ?#H#BGFI 7 HæBG

SCæDÙæDÙæVæUæE

Å' + \$ * * €

UØXÈ ØY

F ÜÜ

ØæVØ

ØæDÙ

7i gca YfGYfj]W' % , \$\$! * , &) + ' \$

UædÙ
FÁJØÆ

SAP#100633361 - SD CARD PLAYER

To install SD CARD-

Step 1: Remove 2 Philips head screws from front panel shown in Detail A and remove panel.

Step 2: Insert SD card into slot shown in Detail B.

Detail A



Remove these two screws to access SD Card Slot.

Detail B



Insert card into this slot.