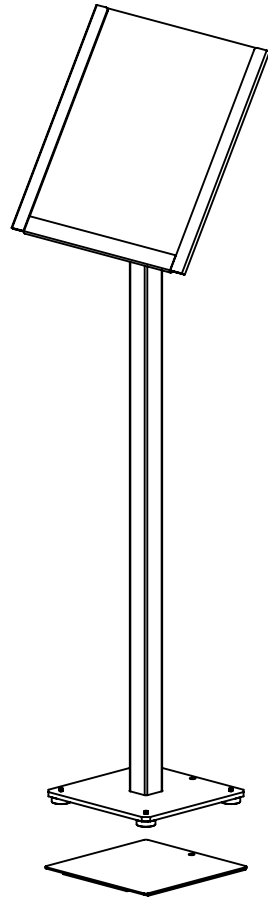


Walmart Part No. 100673541

Walmart Description

10X10 SIGNHOLDER W/ BASE

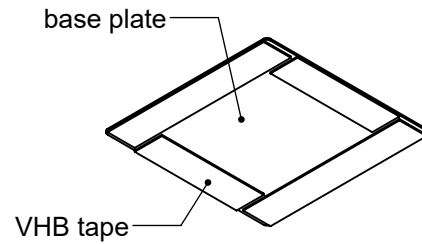
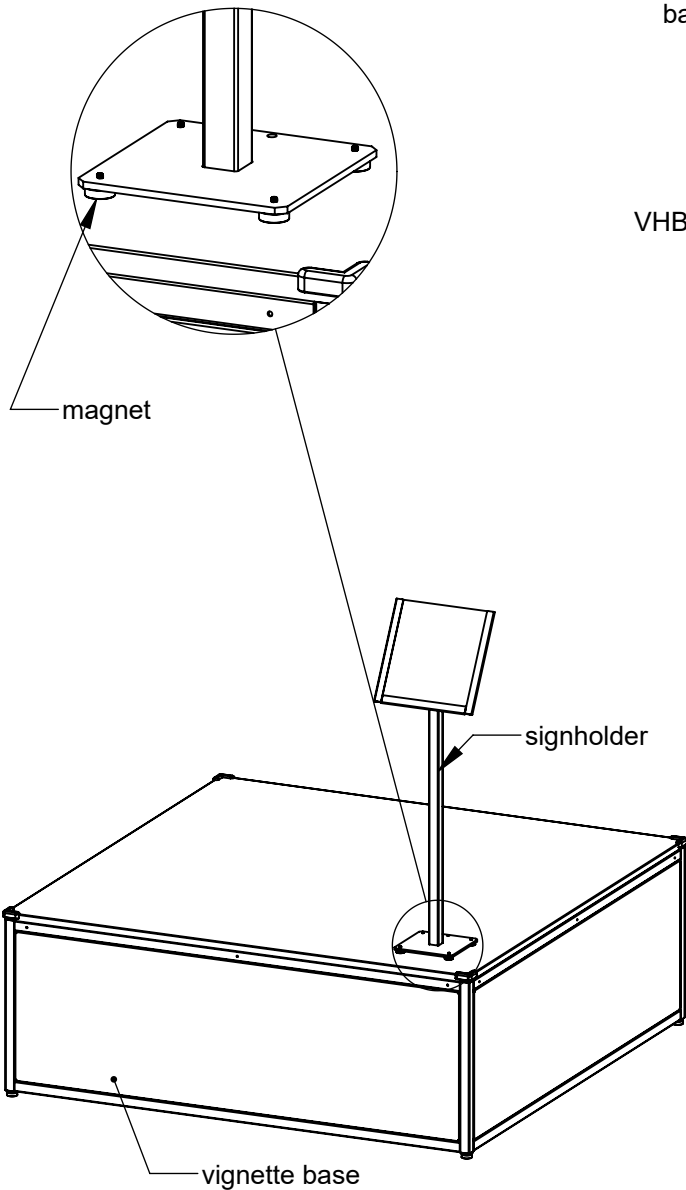


Scan QR code or visit www.ladarling.com/10x10_signholder/ for the latest copy of the instruction sheets.

Customer Service 1-800-682-5730

PAGE
1 OF 2

When installing on a steel surface, the signholder can be installed using its magnets.



For installing on non-magnetic surfaces like laminate or concrete floor, the signholder must be installed using the base plate with VHB tape.

Step 1: Remove tape protective covers from all pieces of tape on the bottom of base plate.

Step 2: Ensure the location the signholder will be installed is clean and free of dust.

Step 3: Locate and orient the base plate where needed, and press downward firmly to secure the VHB tape.

Step 4: Attach the signholder to the base plate with its magnets.

