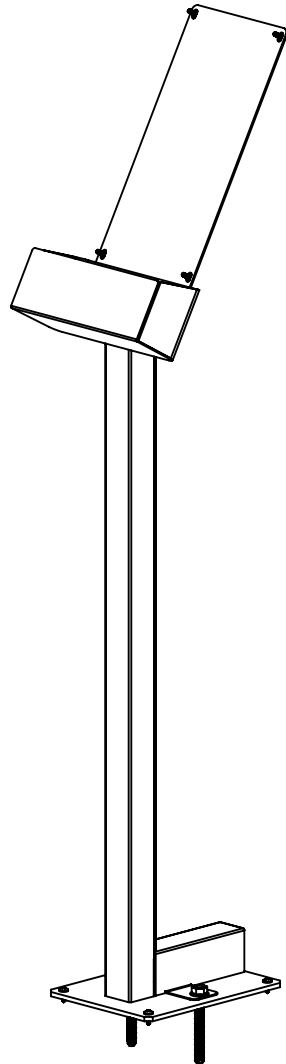


Walmart Part No. **100675672**

Walmart Description

DIGITAL SIGN HOLDER W/ BASE



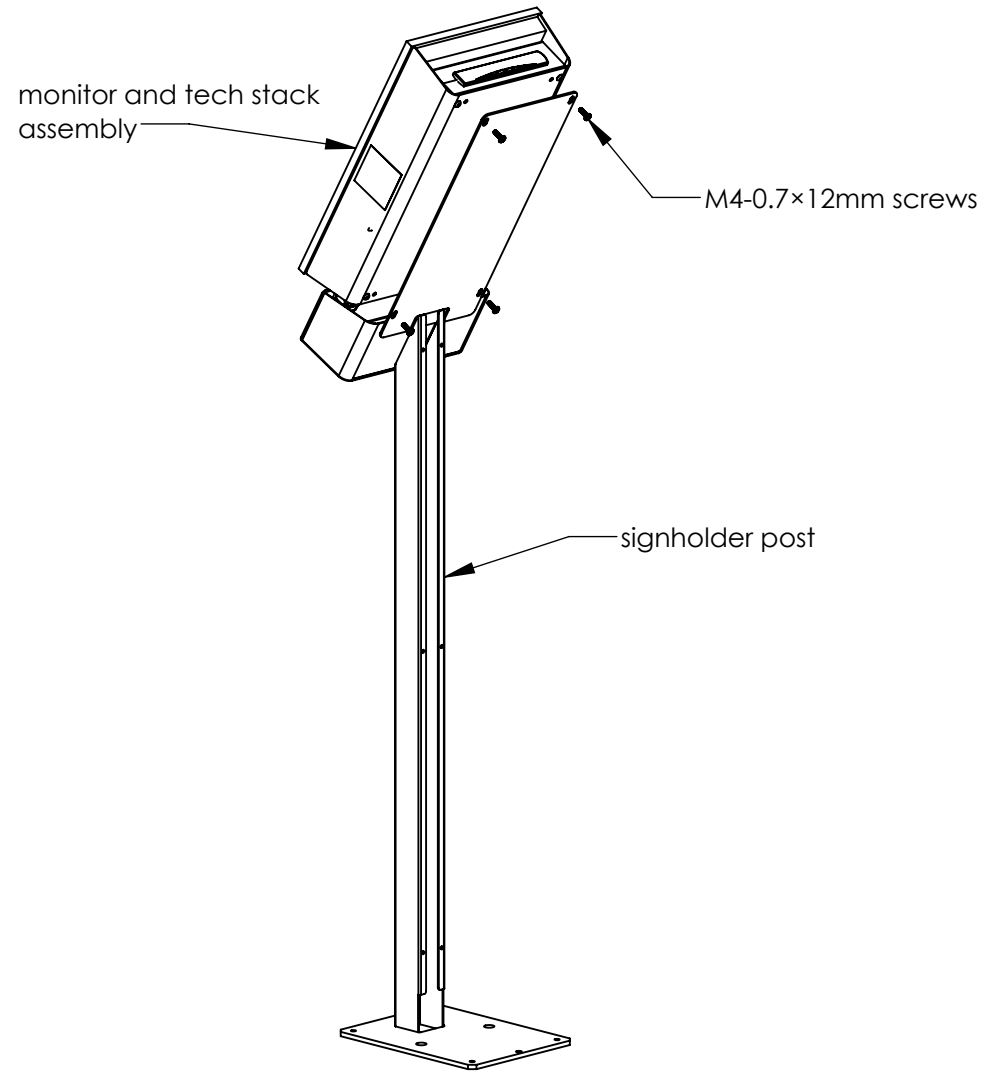
Scan QR code or visit
www.ladarling.com/digital-signholder/ for
the latest copy of the instruction sheets.

Customer Service 1-800-682-5730

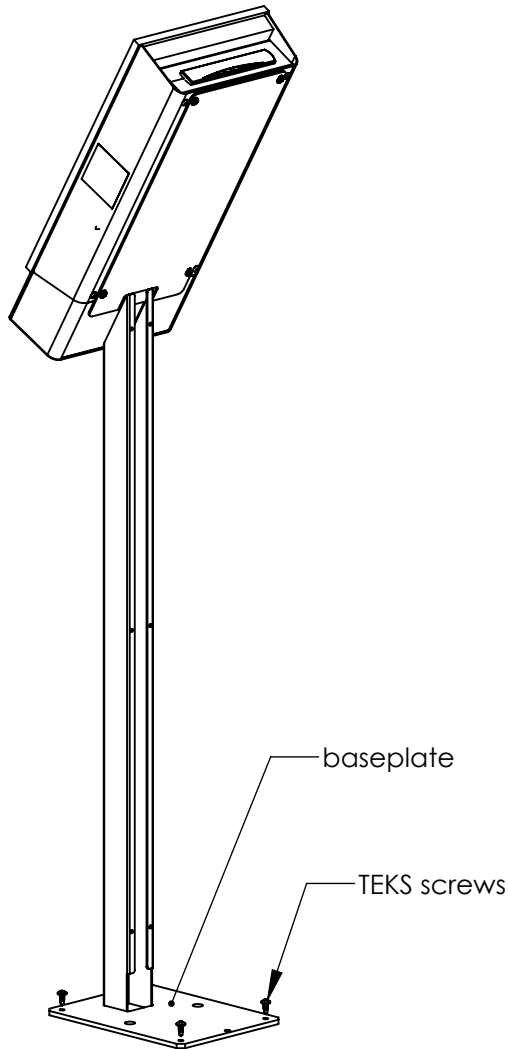
PAGE
1 OF 4

Step 1: Route cabling through signholder post.

Step 2: Attach monitor and tech stack assembly (provided by others) using four M4 screws.

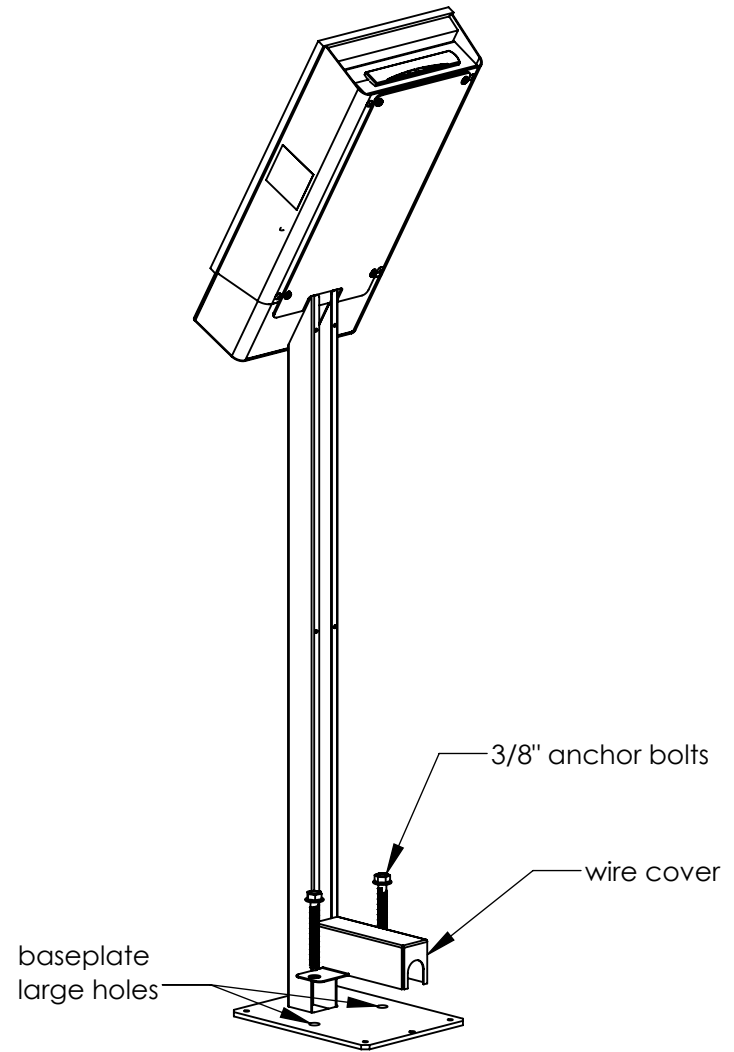


Step 3A: For sign holders positioned on top of vignette base, secure baseplate using four TEKS screws. Skip to step 5.



Step 3: For sign holders positioned on the floor, drill anchor holes in concrete to align with large holes in baseplate.

Step 4: Install anchor bolts to secure wire cover and baseplate.



Step 5: Attach cover panel with six #8 thread forming screws.

