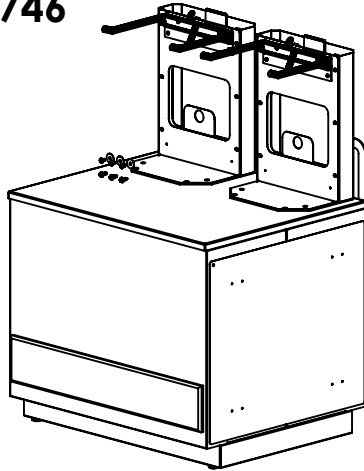
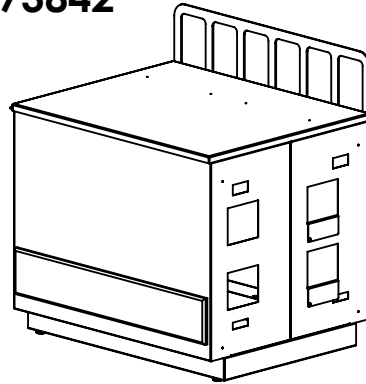


**BAGGER CAB STR 29X24**  
**100673746**



**BAGGER CAB AO 29X24**  
**100673842**

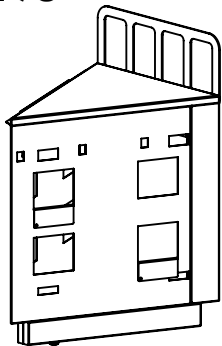


Walmart Part No. **100673746**  
**100673842**  
**100684198**  
**100684197**

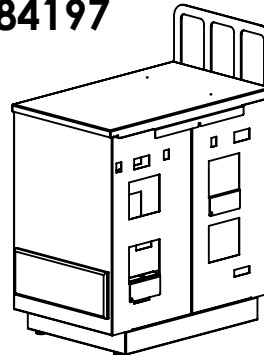
Walmart Description

**BAGGER CAB STR 29X24**  
**BAGGER CAB AO 29X24**  
**BAGGER CAB WEDGE**  
**BAGGER CAB AO 14.5X24**

**BAGGER CAB WEDGE**  
**100684198**



**BAGGER CAB AO 14.5X24**  
**100684197**



Scan QR code or visit [www.ladarling.com/bag-cabinet/](http://www.ladarling.com/bag-cabinet/) for the latest copy of the instruction sheets.

**LADARLING**

REDEFINE. RETHINK. RETAIL SOLUTIONS.

LAD DESCRIPTION  
 BAGGER CABINETS

LAD PART NO.  
 354421IS

REV.	BY	DATE
1	RP	7/26/22

Customer Service 1-800-682-5730

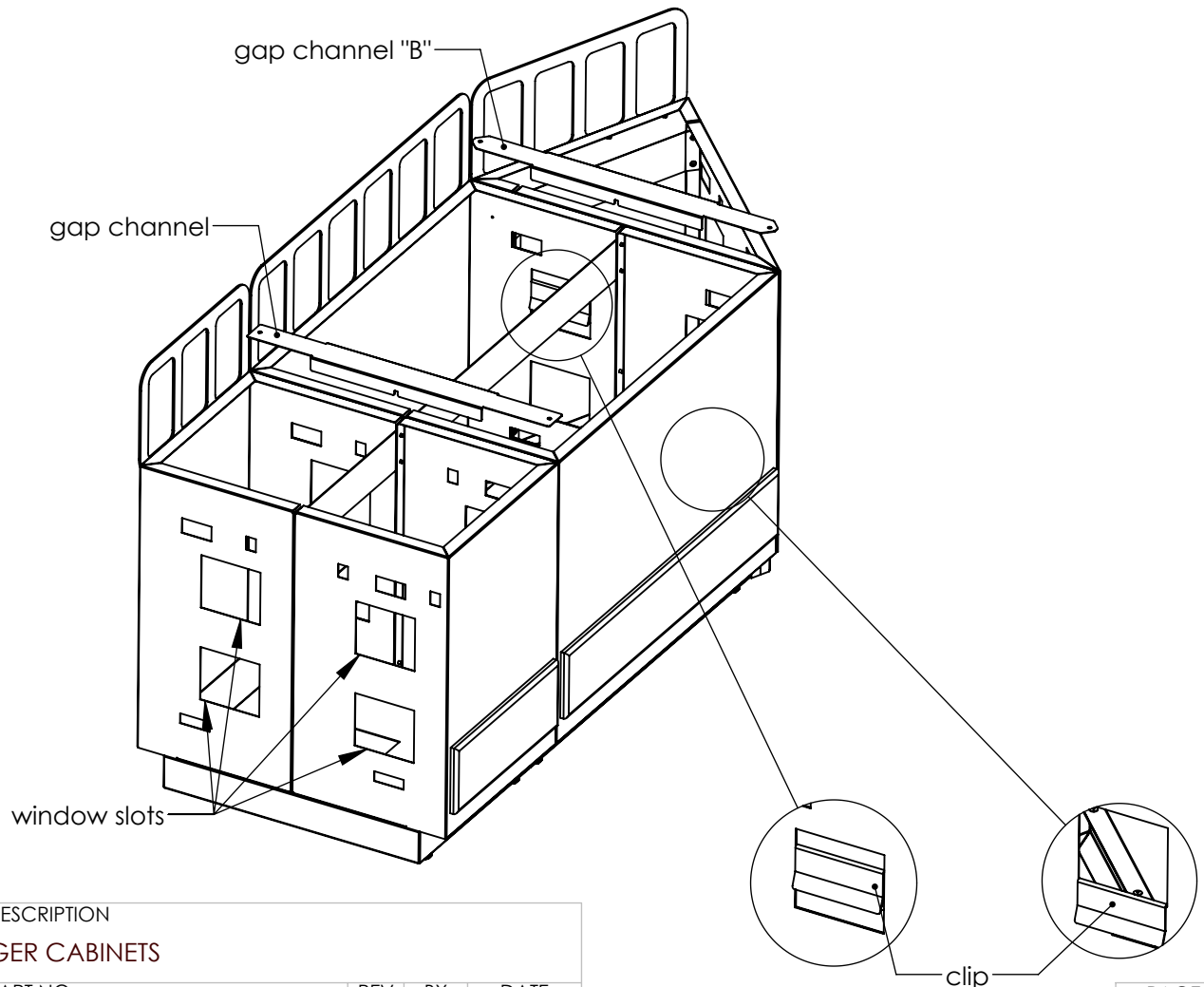
PAGE  
 1 OF 5

"SHRIMP" LAYOUT (LEFT HAND CONFIGURATION SHOWN)

Step 1: Locate cabinets to approximate locations on store layout drawing. Remove end panels and counter tops.

Step 2: Install clips in window slots to connect cabinets together, as shown below. One in the front section of the cabinets, and one in the back.

Step 3: Cover seams between cabinets with gap channels.



**LA DARLING**

REDEFINE. RETHINK. RETAIL SOLUTIONS.

LAD DESCRIPTION  
BAGGER CABINETS

LAD PART NO.  
354421IS

REV.	BY	DATE
1	RP	7/26/22

Customer Service 1-800-682-5730

PAGE  
2 OF 5

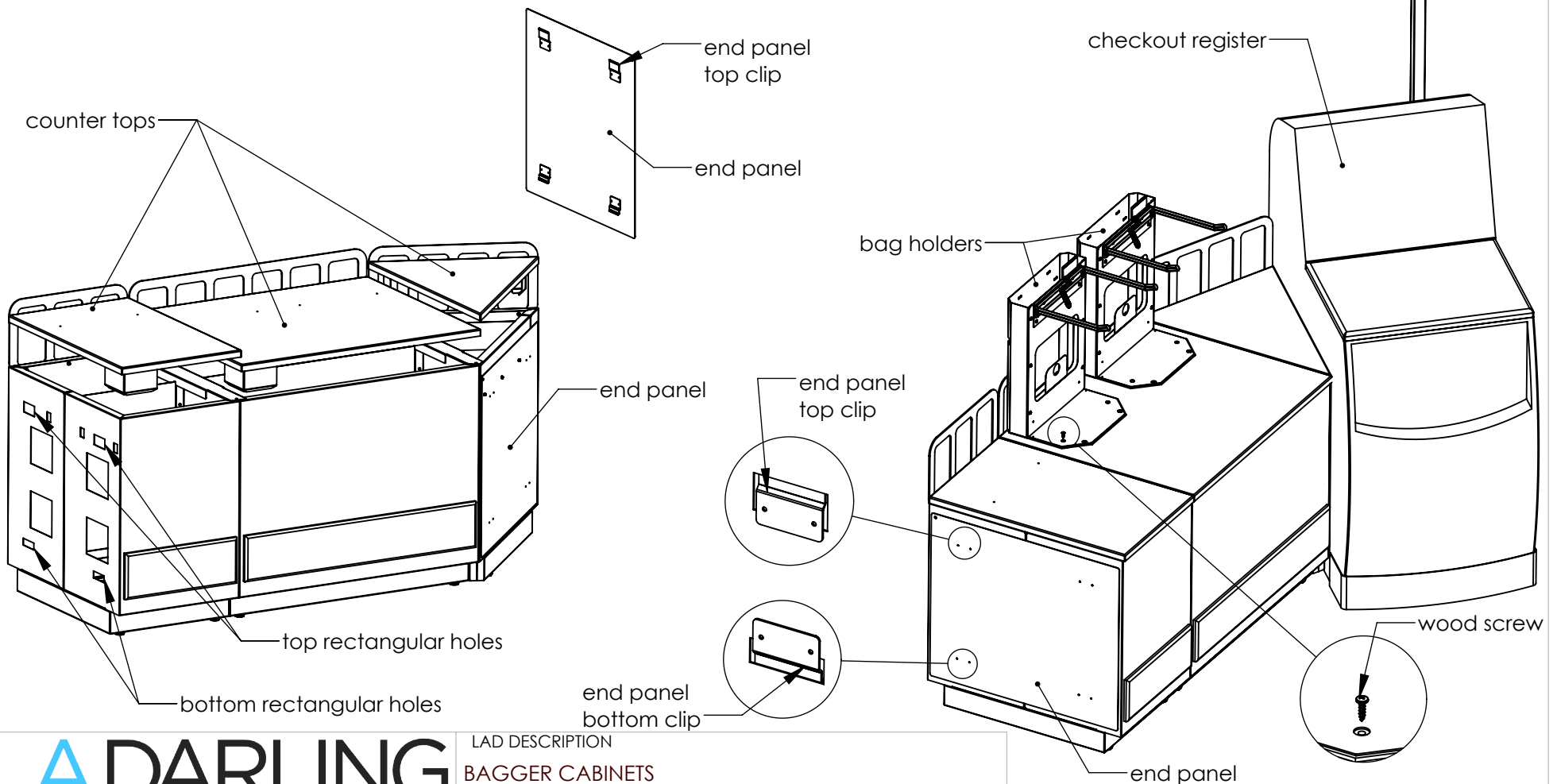
"SHRIMP" LAYOUT (LEFT HAND CONFIGURATION SHOWN)

Step 4: Install end panels in rectangular holes on both ends of cabinets. Insert top clips in top rectangular holes, lift end panel, insert bottom clips into bottom rectangular holes, and then lower end panel.

Optionally, the end panel can be removed from wedge cabinet, and wedge cabinet can be connected to the checkout register with provided hardware kit.

Step 5: Reinstall counter tops in cabinets. For the rectangular counter tops, the pilot holes should be positioned towards the back of the cabinets.

Step 6: Attach bag holders with provided wood screws in pilot holes on center cabinet. Position cabinets next to checkout register.



**LA DARLING**

REDEFINE. RETHINK. RETAIL SOLUTIONS.

LAD DESCRIPTION  
BAGGER CABINETS

LAD PART NO.  
354421IS

REV.	BY	DATE
1	RP	7/26/22

Customer Service 1-800-682-5730

PAGE  
3 OF 5

STRAIGHT LAYOUT (LEFT HAND, 2-SECTION CONFIGURATION SHOWN)

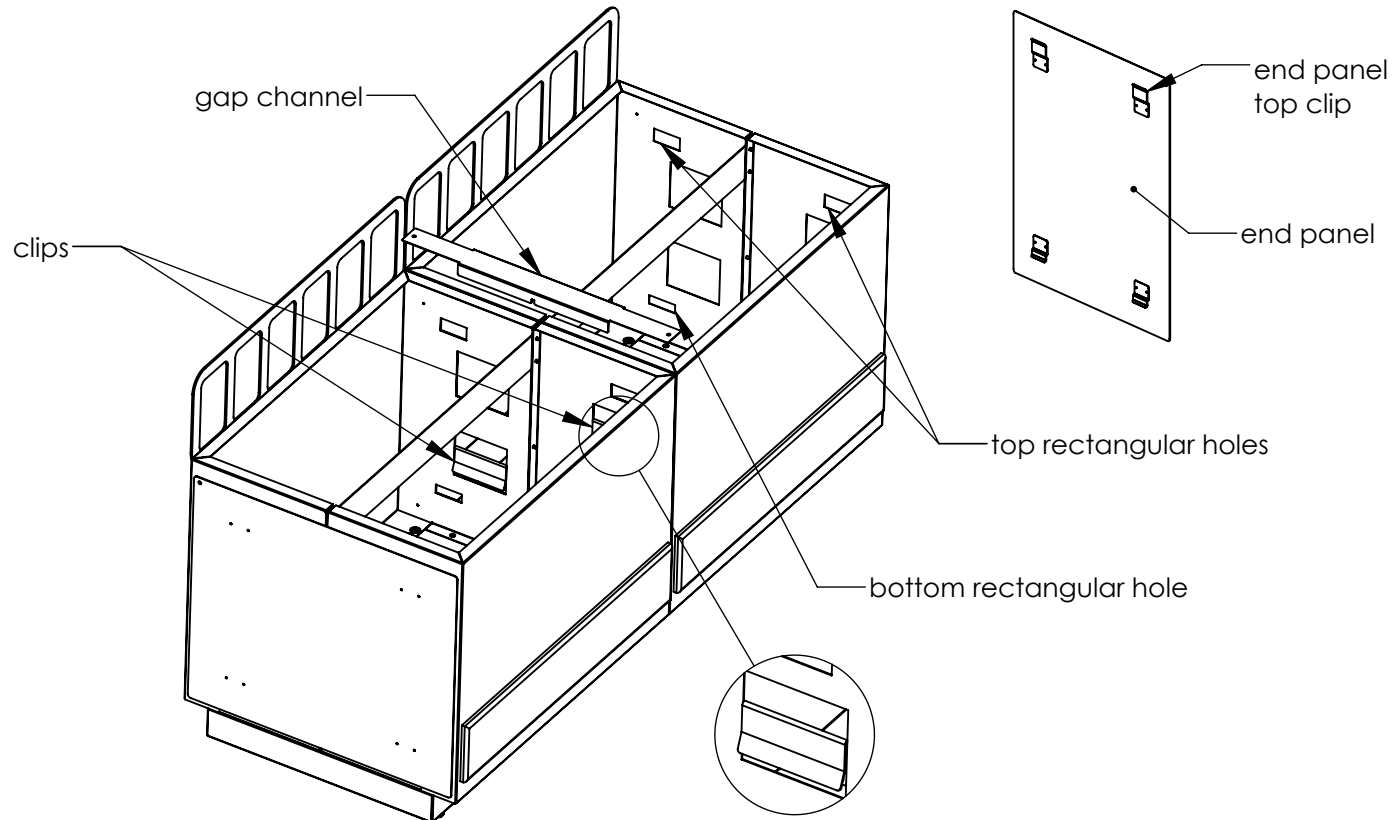
Step 1: Locate cabinets to approximate locations on store layout drawing. Remove one end panel and counter tops.

Step 2: Install clips in window slots to connect cabinets together, as shown below. One in the front section of the cabinets, and one in the back.

Step 3: Cover seams between cabinets with gap channels.

Step 4: Reinstall end panel in rectangular holes on end of cabinets. Insert top clip in top rectangular holes, lift end panel, insert bottom clips into bottom rectangular holes, and then lower end panel.

Optionally, the end panel can be removed from cabinet nearest checkout register, and cabinets can be connected to the checkout register with provided hardware kit.



STRAIGHT LAYOUT (LEFT HAND, 2-SECTION CONFIGURATION SHOWN)

Step 5: Reinstall counter tops in with the pilot holes positioned towards the back of the cabinets.

Step 6: Attach bag holders with provided wood screws in pilot holes on cabinet nearest checkout register.

Step 7: Position cabinets next to checkout register.

