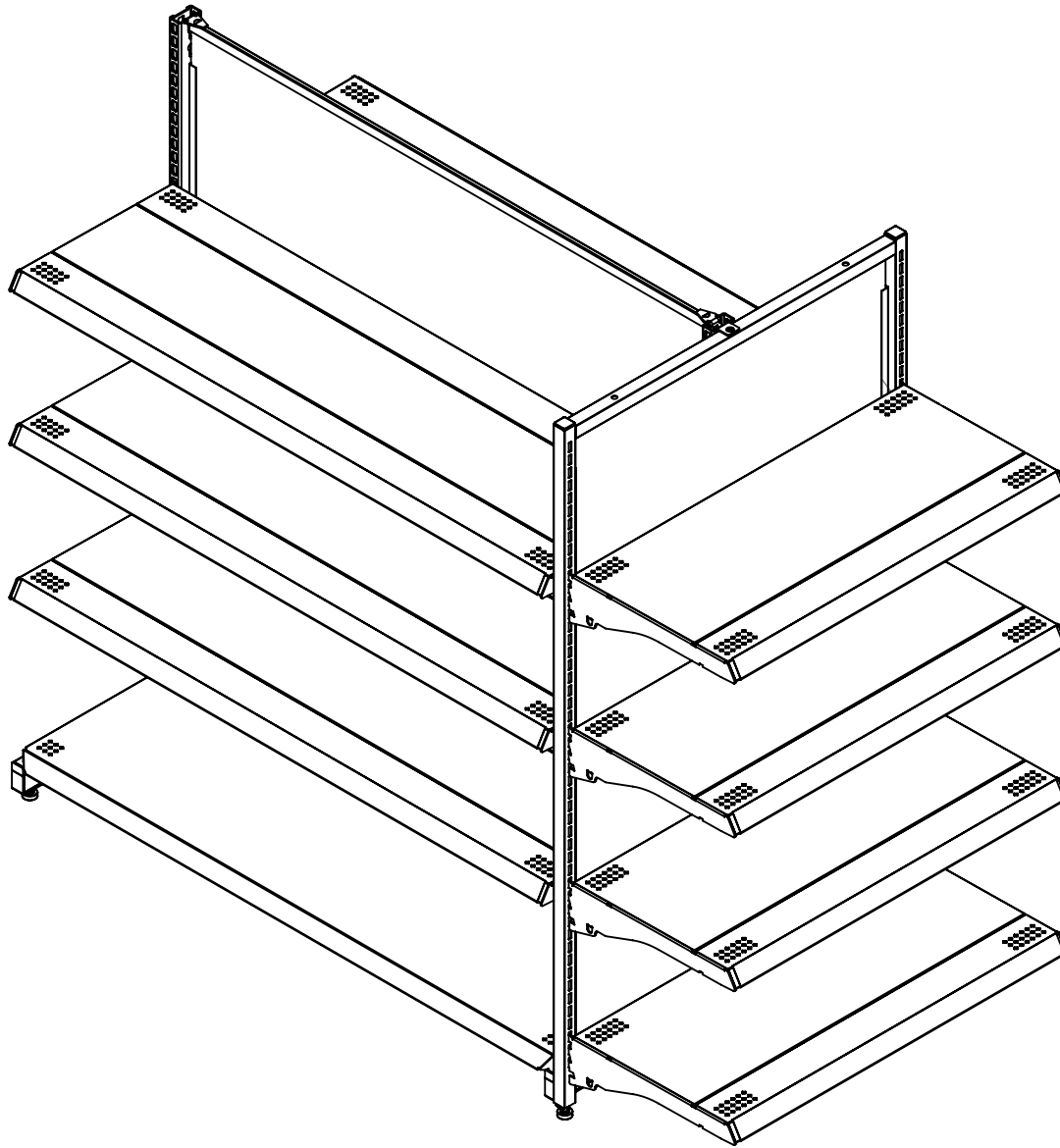


Walmart Part No. **100674771**

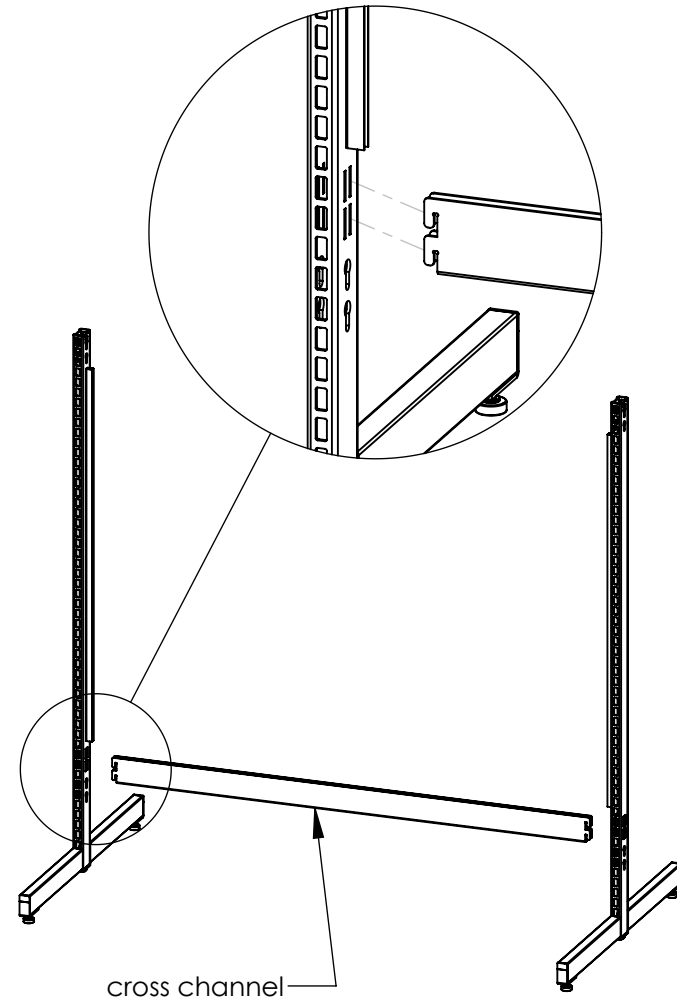
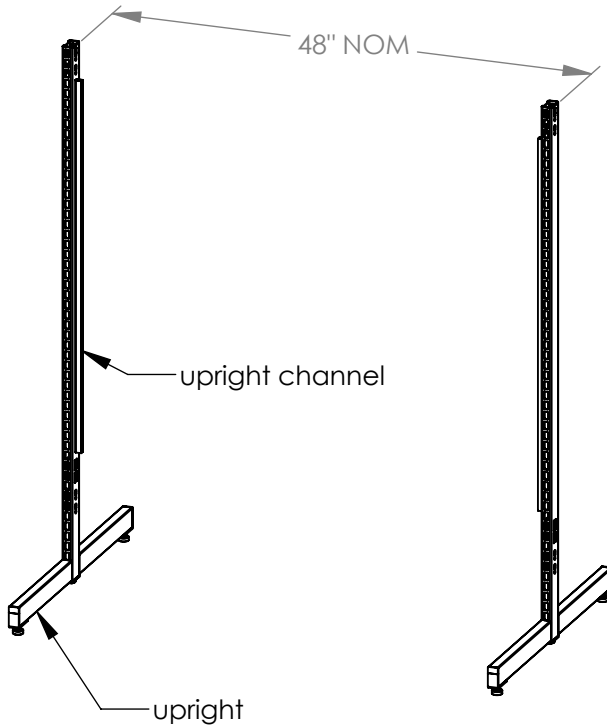
Walmart Description  
**TREND POD 31X54X66**



Scan QR code or visit [www.ladarling.com/trend-pod/](http://www.ladarling.com/trend-pod/) for the latest copy of the instruction sheets.

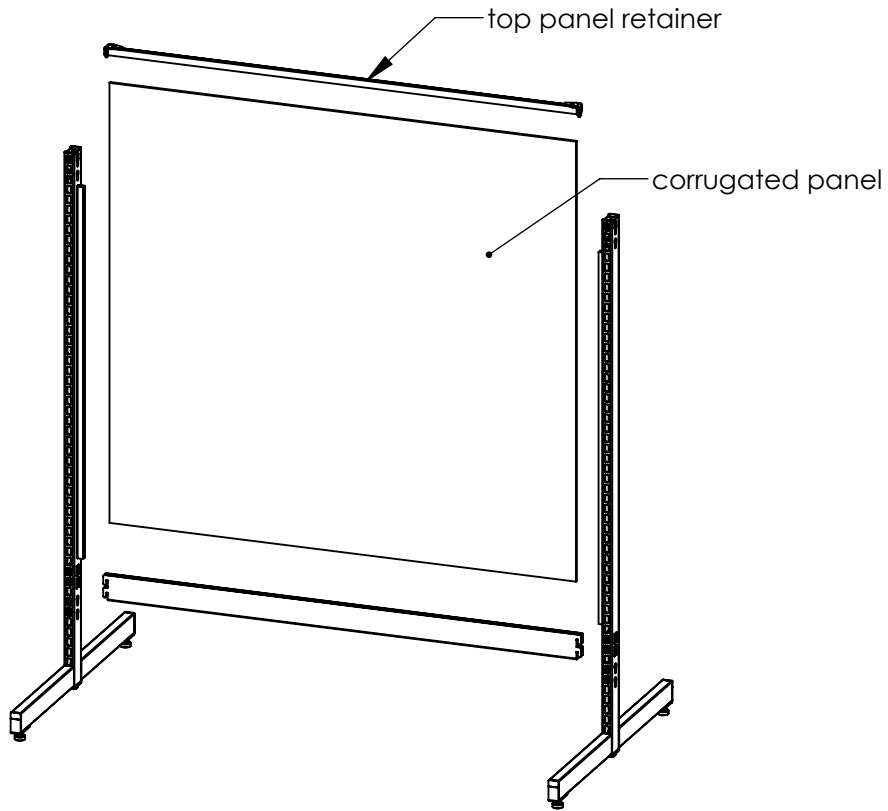
Step 1: Hold uprights about 48" apart with levelers resting on the floor and the channels facing each other.

Step 2: Insert tabs of cross channel into slots at bottom of uprights. Seat in place by tapping on each end of cross channel.

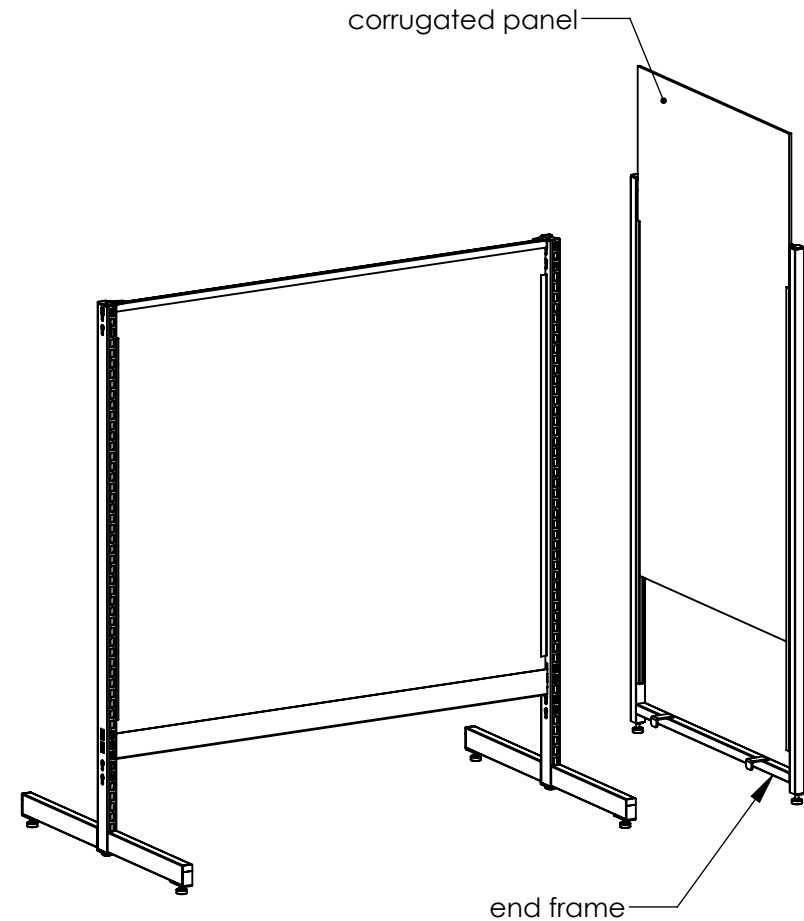


Step 3: Slide corrugated panel into channels on uprights and cross channel.

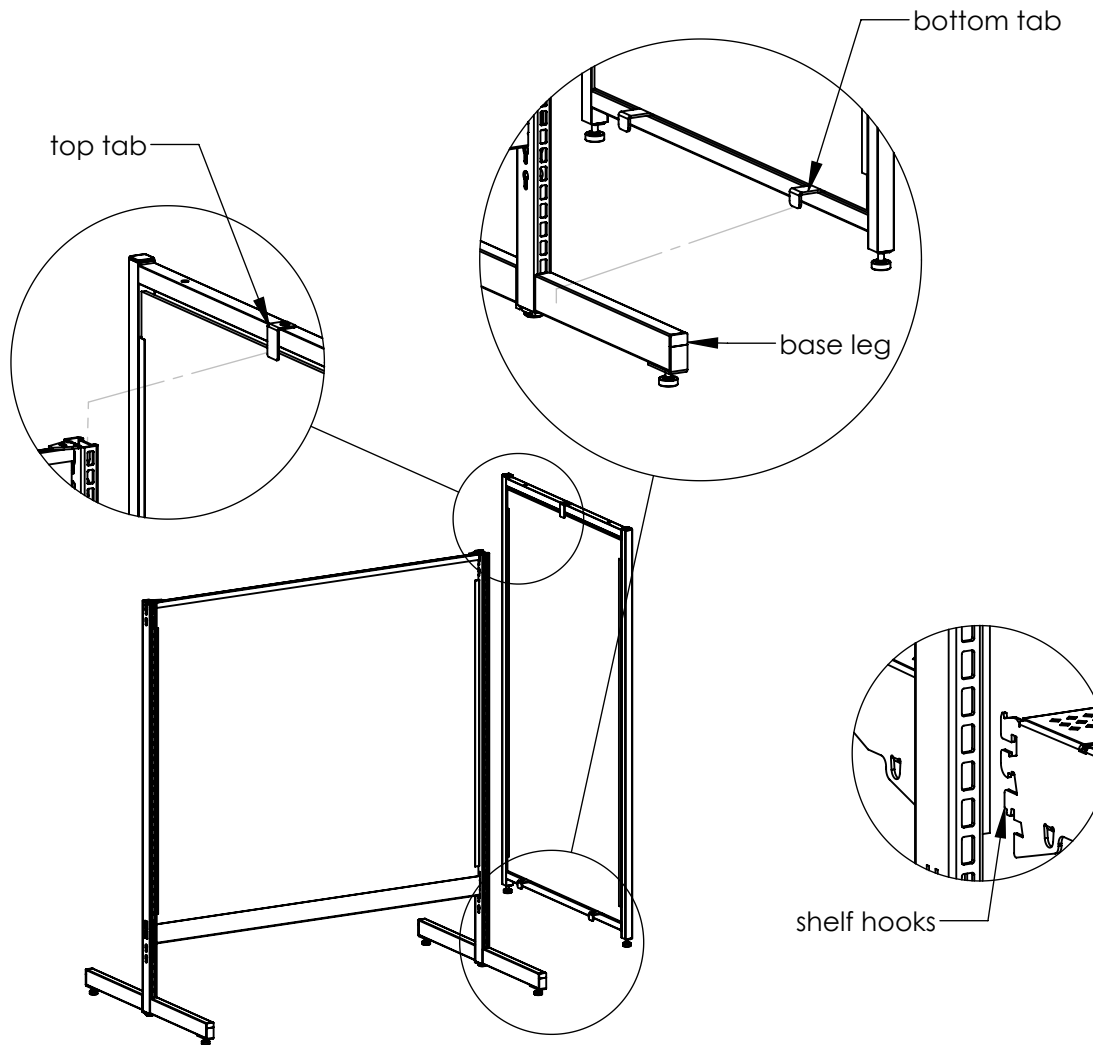
Step 4: Assemble top panel retainer between uprights, ensuring corrugated panel fits into channel. Push down until the projections "pop" onto uprights.



Step 5: Insert corrugated panel in channels on end frame.



Step 6: Attach end frame to upright by hooking top tab into top of upright and bottom tabs over upright base legs.



Step 7: Install side decks on both sides of Trend Pod by tilting deck up to insert hook into slot just above base leg. Lower deck to rest on base legs.

Step 8: Install shelves where needed by inserting hooks at back of shelf into slots on upright face.

