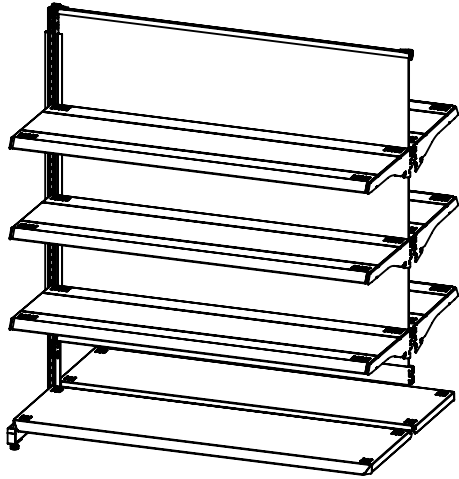
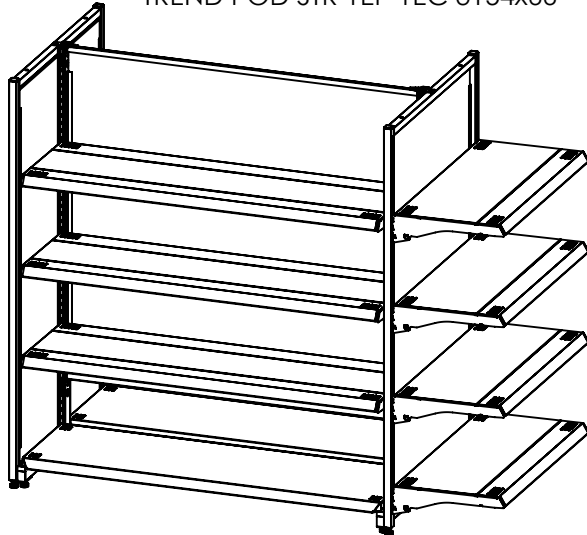


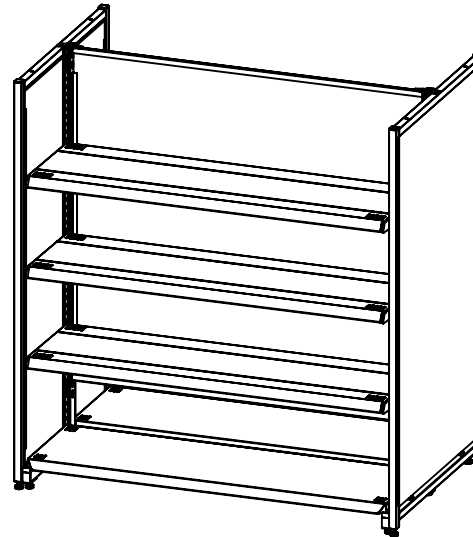
SAP # 100683294  
TREND POD AO 3154x48



SAP # 100683351  
TREND POD STR 1EP 1EC 3154x66



SAP # 100683360  
TREND POD STR 2EP 3154x48



Walmart Part No. **100683294**  
**100683351**  
**100683360**

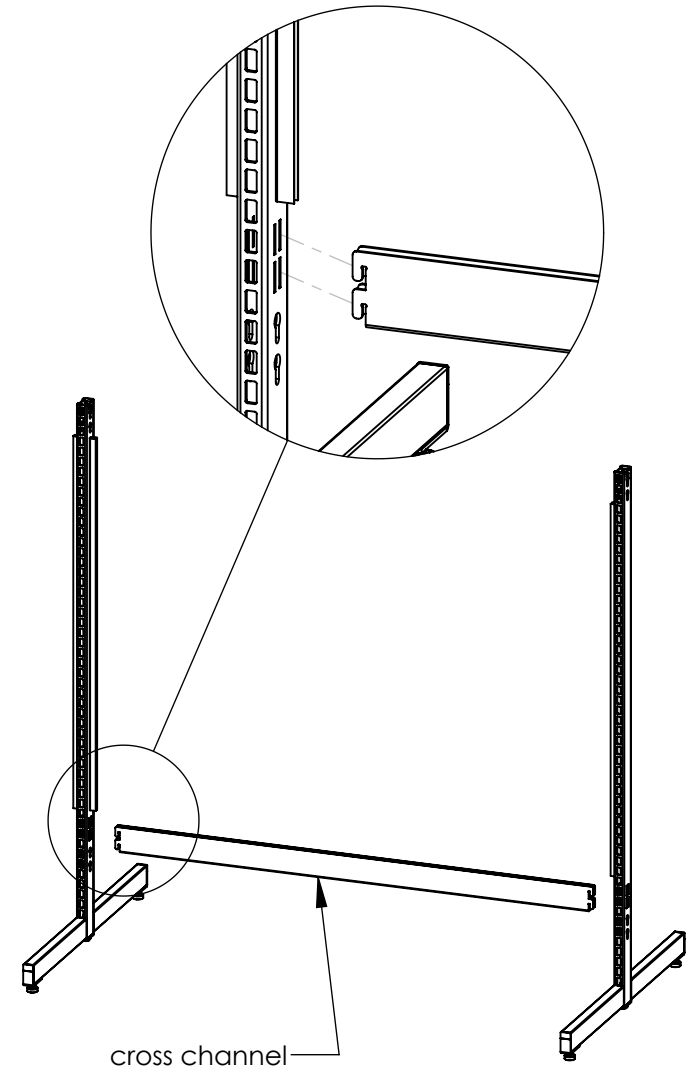
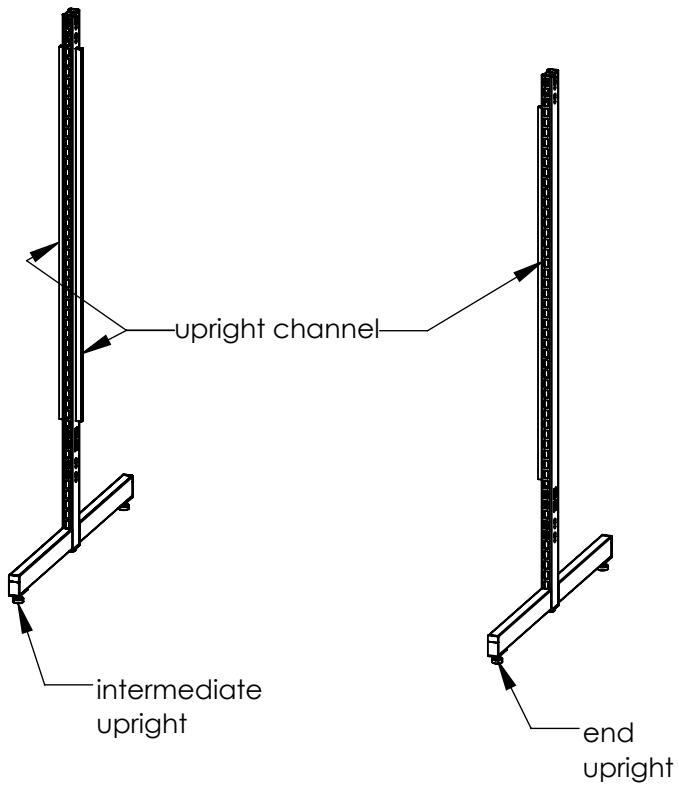
Walmart Description  
**TREND POD AO 3154x48**  
**TREND POD STR 1EP 1EC 3154x66**  
**TREND POD STR 2EP 3154x48**



Scan QR code or visit [www.ladarling.com/trend-pod/](http://www.ladarling.com/trend-pod/) for the latest copy of the instruction sheets.

Step 1: Hold uprights about 48" apart with levelers resting on the floor and the channels facing each other.

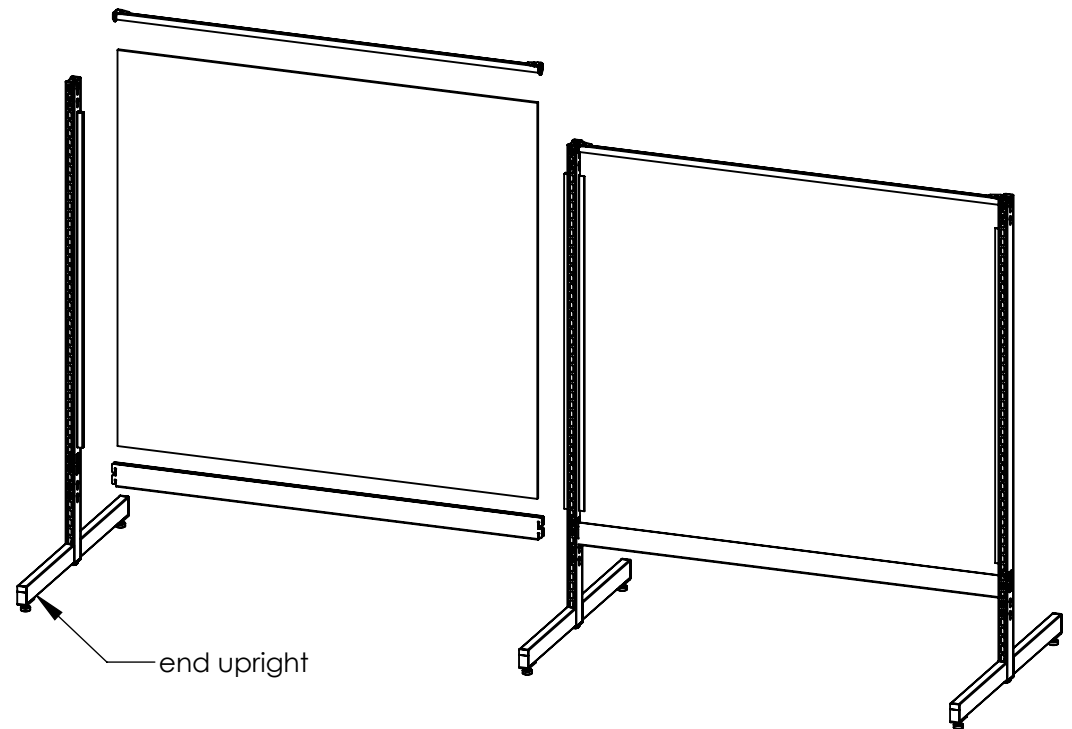
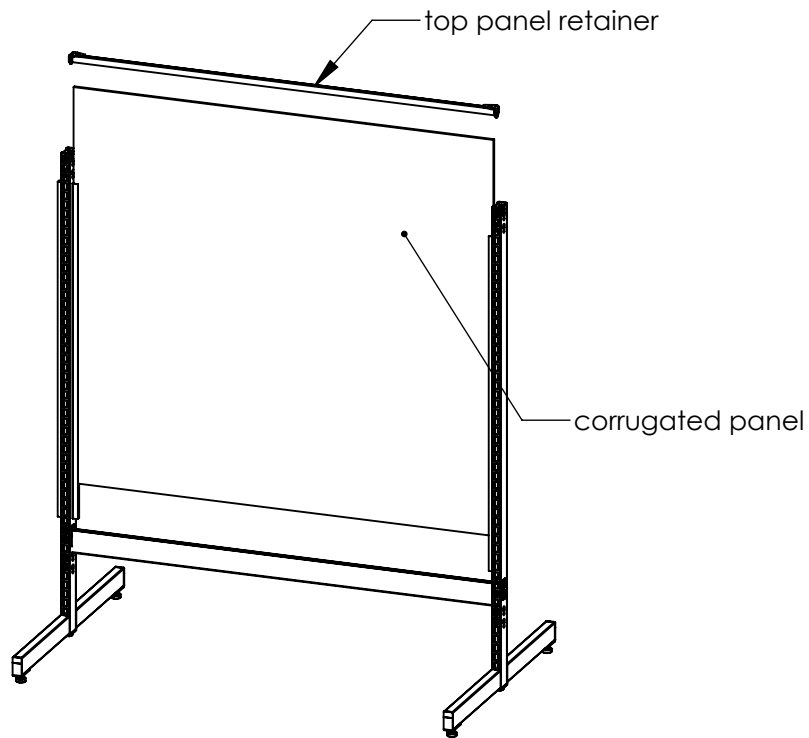
Step 2: Insert tabs of cross channel into slots at bottom of uprights. Seat in place by tapping on each end of cross channel.



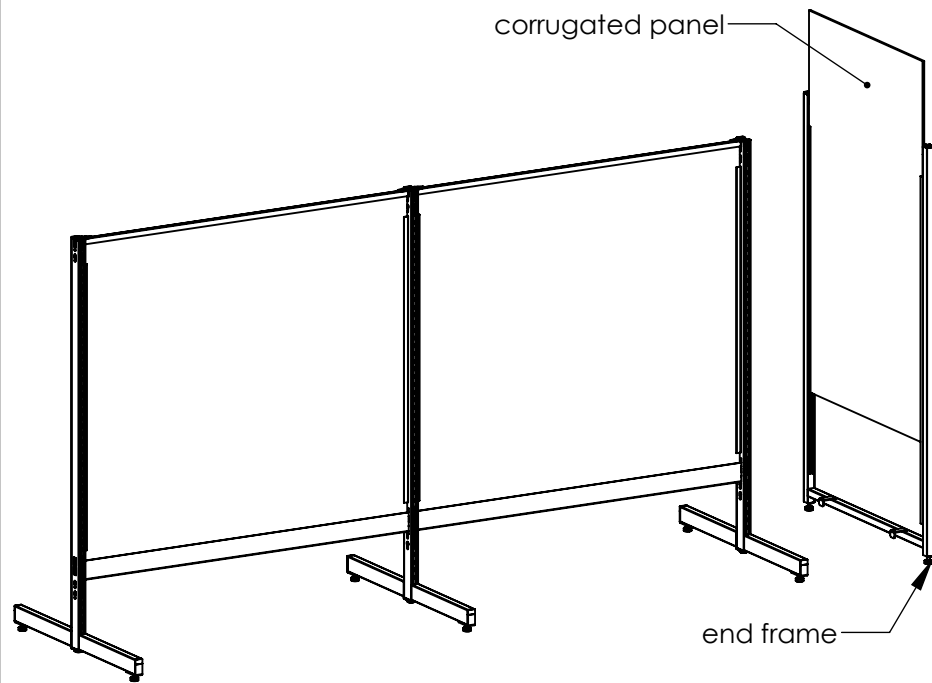
Step 3: Slide corrugated panel into channels on uprights and cross channel.

Step 4: Assemble top panel retainer between uprights, ensuring corrugated panel fits into channel. Push down until the projections "pop" onto uprights.

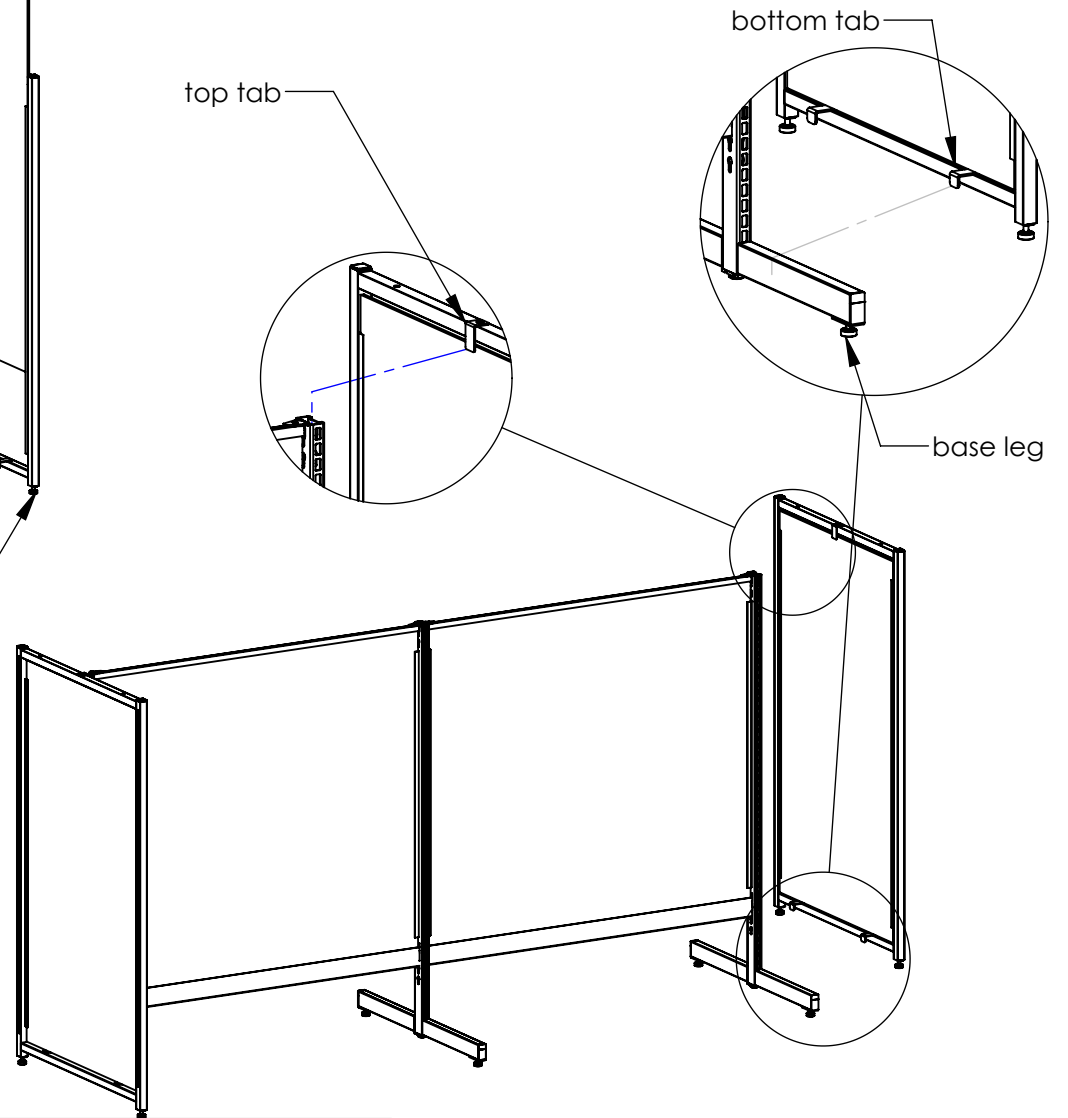
Step 5: Continue building full length of trend pod. Last upright installed should be an end upright.



Step 6: Insert corrugated panels in channels on end frames.

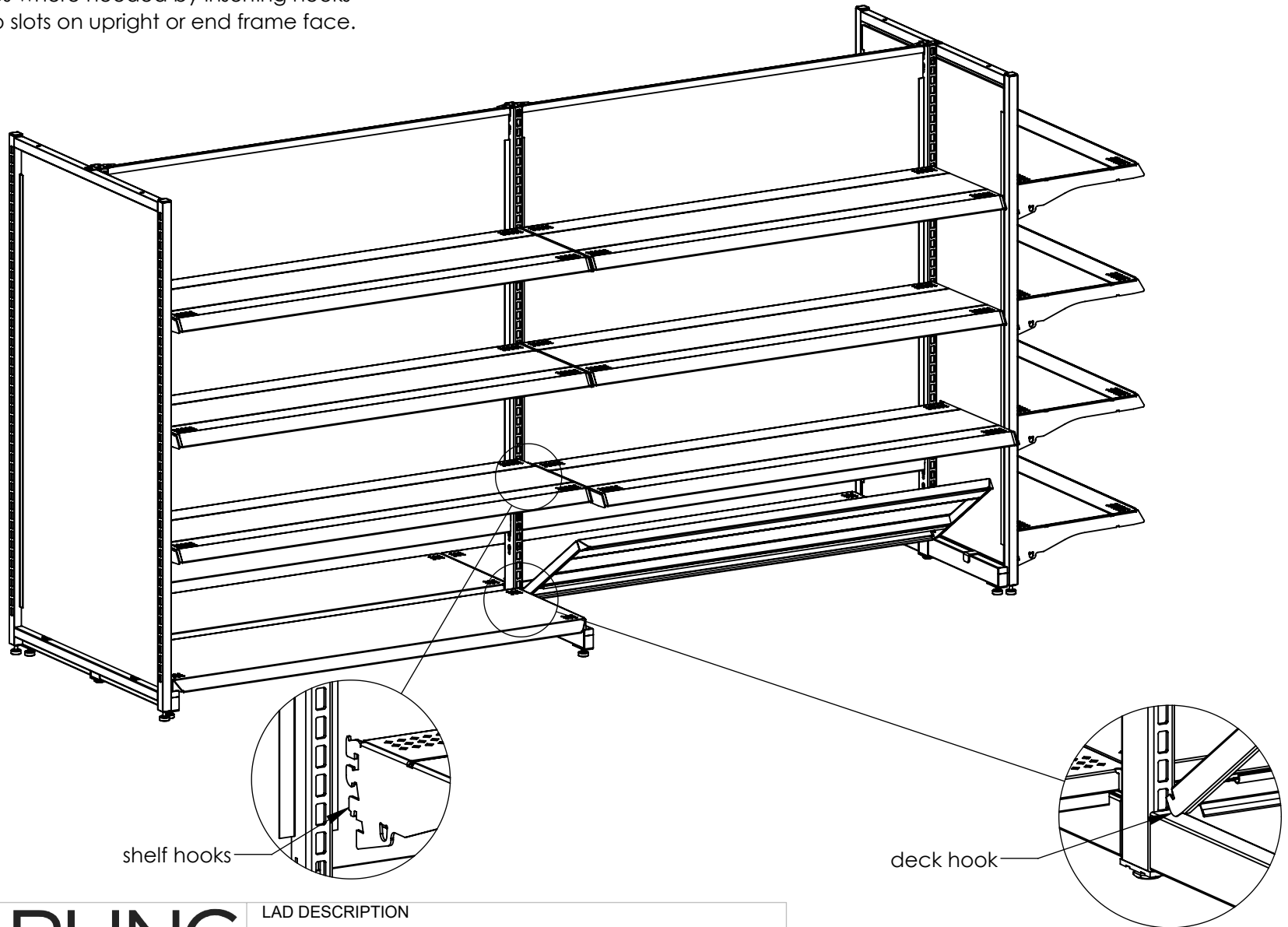


Step 7: Attach end frames to end uprights by hooking top tab into top of upright and bottom tabs over upright base legs.



Step 8: Install side decks on both sides of Trend Pod by tilting deck up to insert hook into slot just above base leg. Lower deck to rest on base legs.

Step 9: Install shelves where needed by inserting hooks at back of shelf into slots on upright or end frame face.



shelf hooks

deck hook