

Walmart Part No. **100682376**

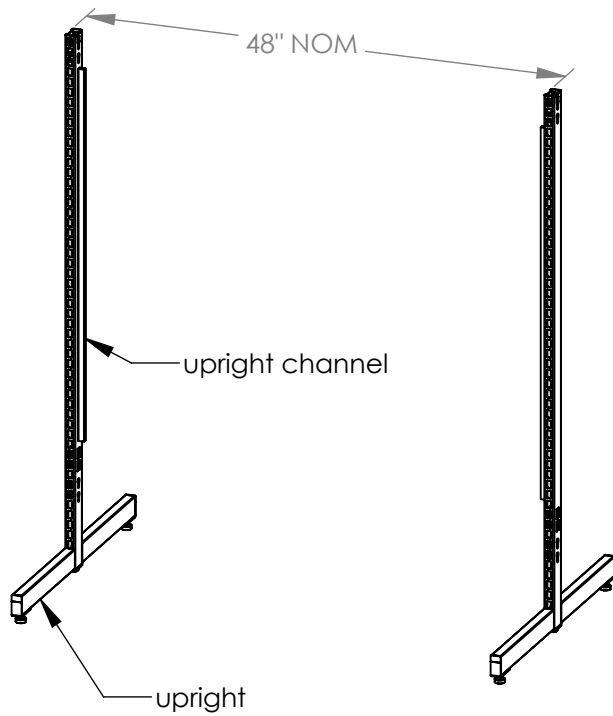
Walmart Description

**TREND POD 3154X66 NO SHELVES  
W/COREX**

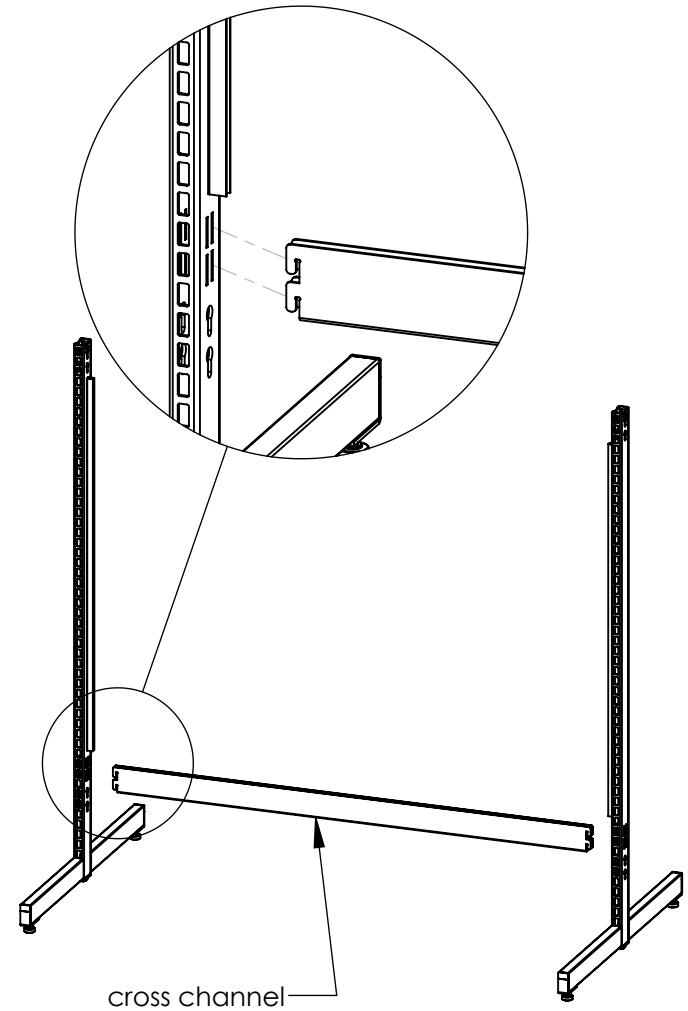


Scan QR code or visit [www.ladarling.com/trend-pod/](http://www.ladarling.com/trend-pod/)  
for the latest copy of the instruction sheets.

Step 1: Hold uprights about 48" apart with levelers resting on the floor and the channels facing each other.



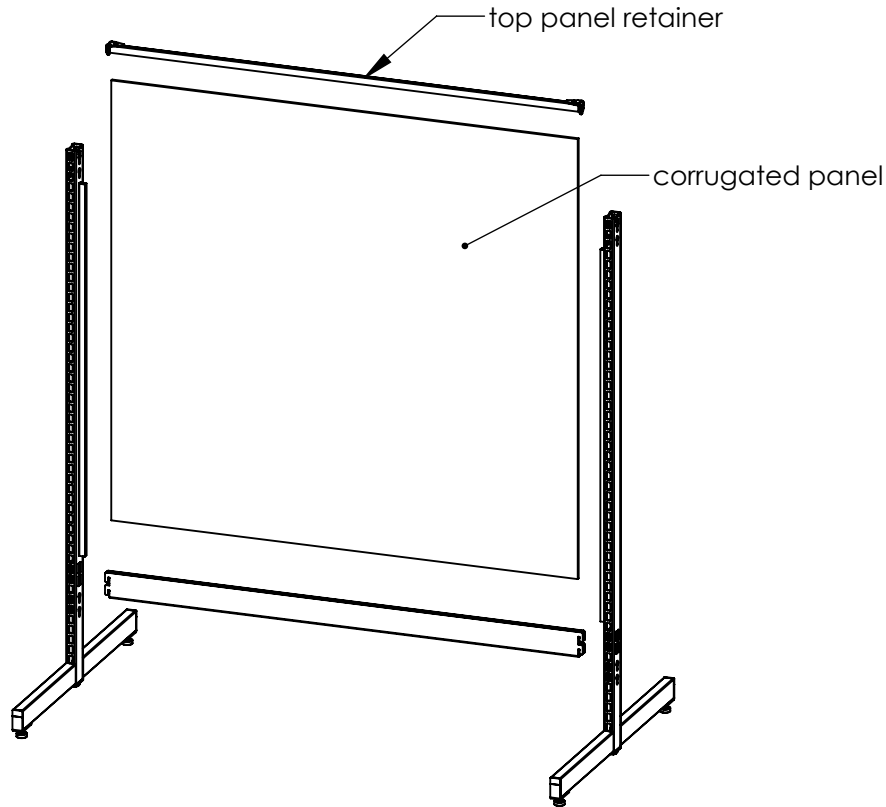
Step 2: Insert tabs of cross channel into slots at bottom of uprights. Seat in place by tapping on each end of cross channel.



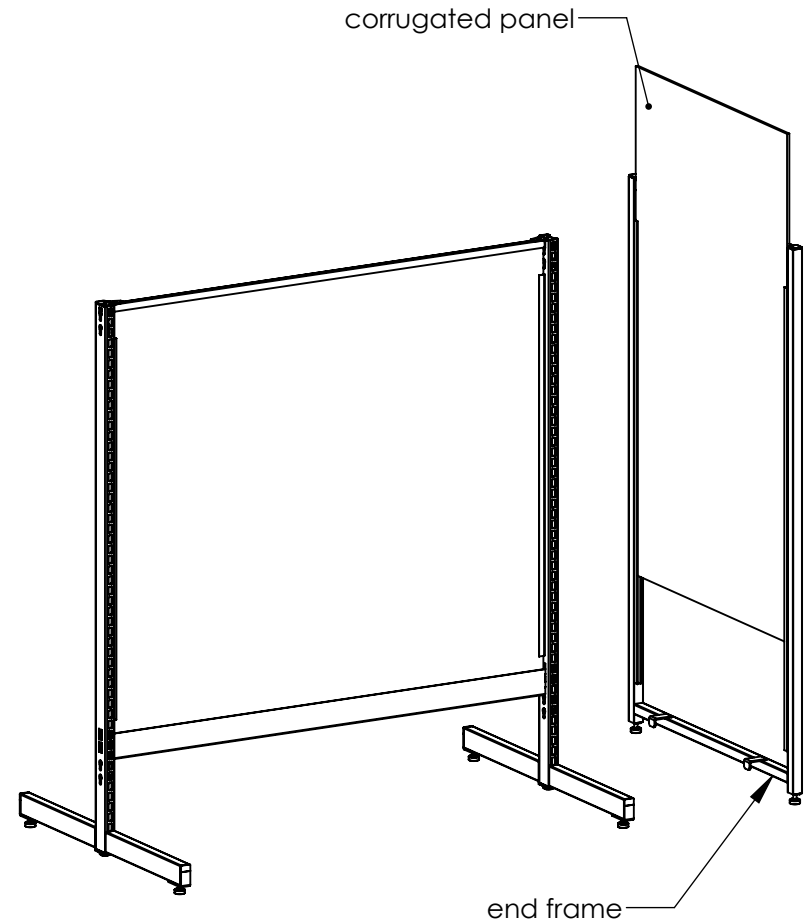
LAD DESCRIPTION		
TREND POD MENS SHOES 3154		
LAD PART NO.	REV.	BY
3544161S	3	RP
	DATE	
	8/18/22	

Step 3: Slide corrugated panel into channels on uprights and cross channel.

Step 4: Assemble top panel retainer between uprights, ensuring corrugated panel fits into channel. Push down until the projections "pop" onto uprights.



Step 5: Insert corrugated panel in channels on end frame.



Step 6: Attach end frame to upright by hooking top tab into top of upright and bottom tabs over upright base legs.

