

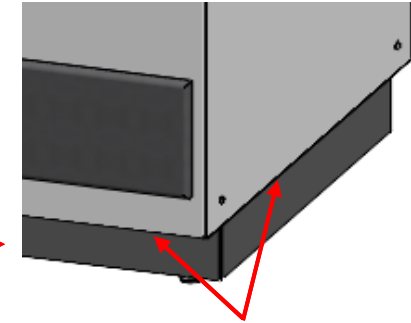
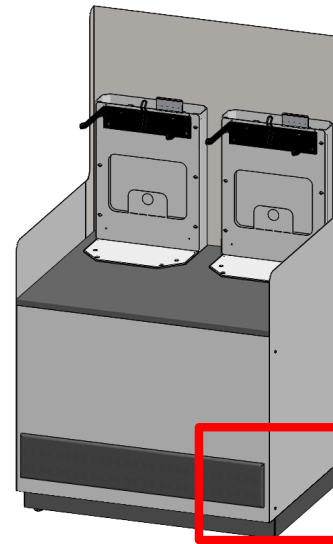
SCAN & GO CABINET SHROUD INSTALLATION INSTRUCTIONS

CONTENTS:

1EA – 53785100C215 – SHROUD KIT = (2) SHROUD END PANELS, (1) SHROUD FRONT PANEL & (1) HARDWARE PACK

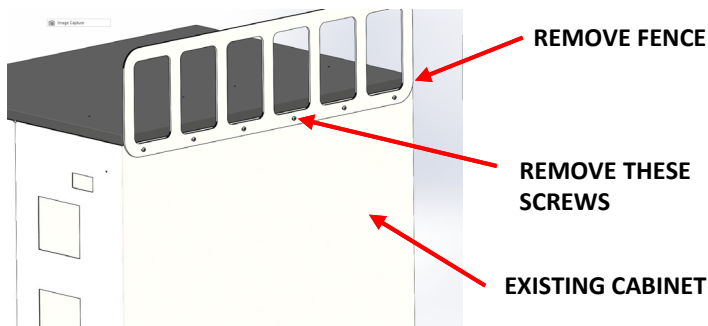
HARDWARE PACK CONSIST OF:

8EA - #8 X 3/8" TEK SMS

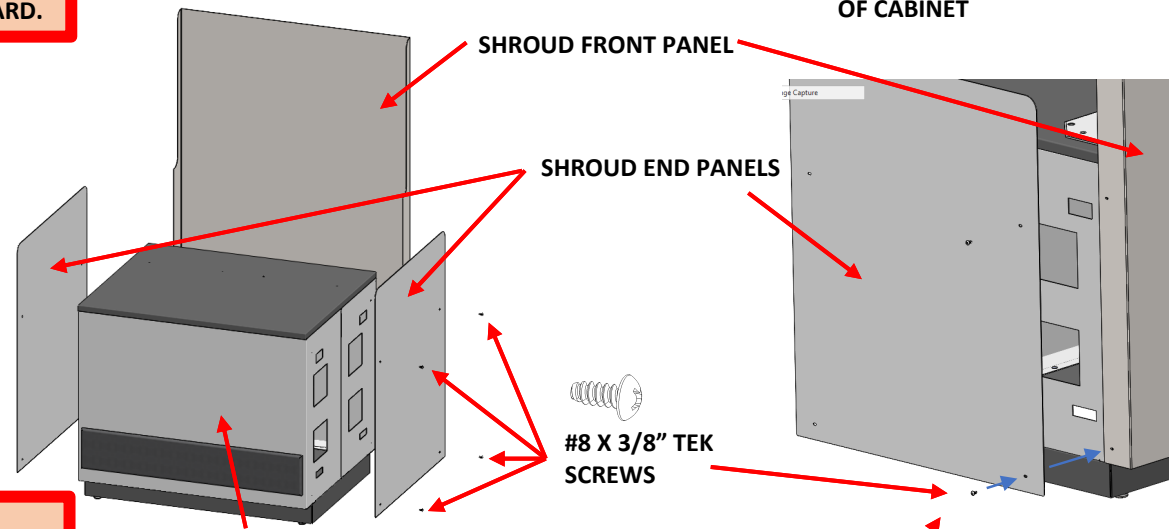


FLUSH BOTTOM EDGES OF END PANELS WITH BOTTOM EDGES OF FRONT AND SIDE PANELS OF CABINET

STEP#1
REMOVE FENCE FROM FRONT OF EXISTING BAGGING CABINET AND DISCARD.



STEP#2
FLUSH BOTTOM EDGES OF SHROUD END PANELS AND SHROUD FRONT PANEL WITH BOTTOM EDGES OF THE FRONT AND BACK PANELS ON BAGGING CABINET AND SECURE THRU HOLES IN SHROUD END PANEL WHILE ALIGNING THRU HOLES IN SHROUD FRONT PANEL. SECURE EACH END PANEL WITH 4EA #8 X 3/8" TEK SCREWS PROVIDED IN HARDWARE PACK.



ALIGN HOLES IN SHROUD END PANELS WITH SLOTS IN SHROUD FRONT PANEL AND SECURE WITH TEK SCREWS.

PART NO: 537851IS

DESCRIPTION: SCAN & GO CABINET SHROUD INSTALLATION INSTRUCTIONS

ENG: L.JOHNSON 10/18/2022