

Walmart Part No.

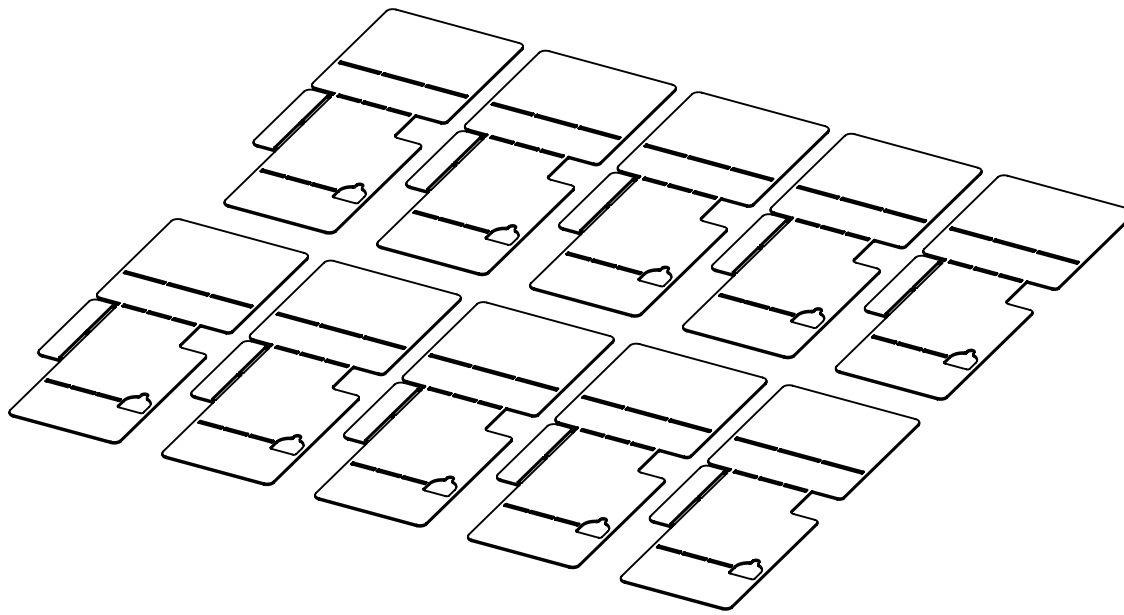
100690946

Walmart Description

D82 FET WALL PNL CLIP SET - 10PCS

SAP # 100690946

D82 FET WALL PNL CLIP SET - 10PCS



Scan QR code or visit www.ladarling.com/FET-wall-panel-clip/ for the latest copy of the instruction sheets.

LADARLING

REDEFINE. RETHINK. RETAIL SOLUTIONS.

LAD DESCRIPTION

FET WALL PANEL CLIP SET

LAD PART NO.

35420203IS

REV.

1

BY

RP

DATE

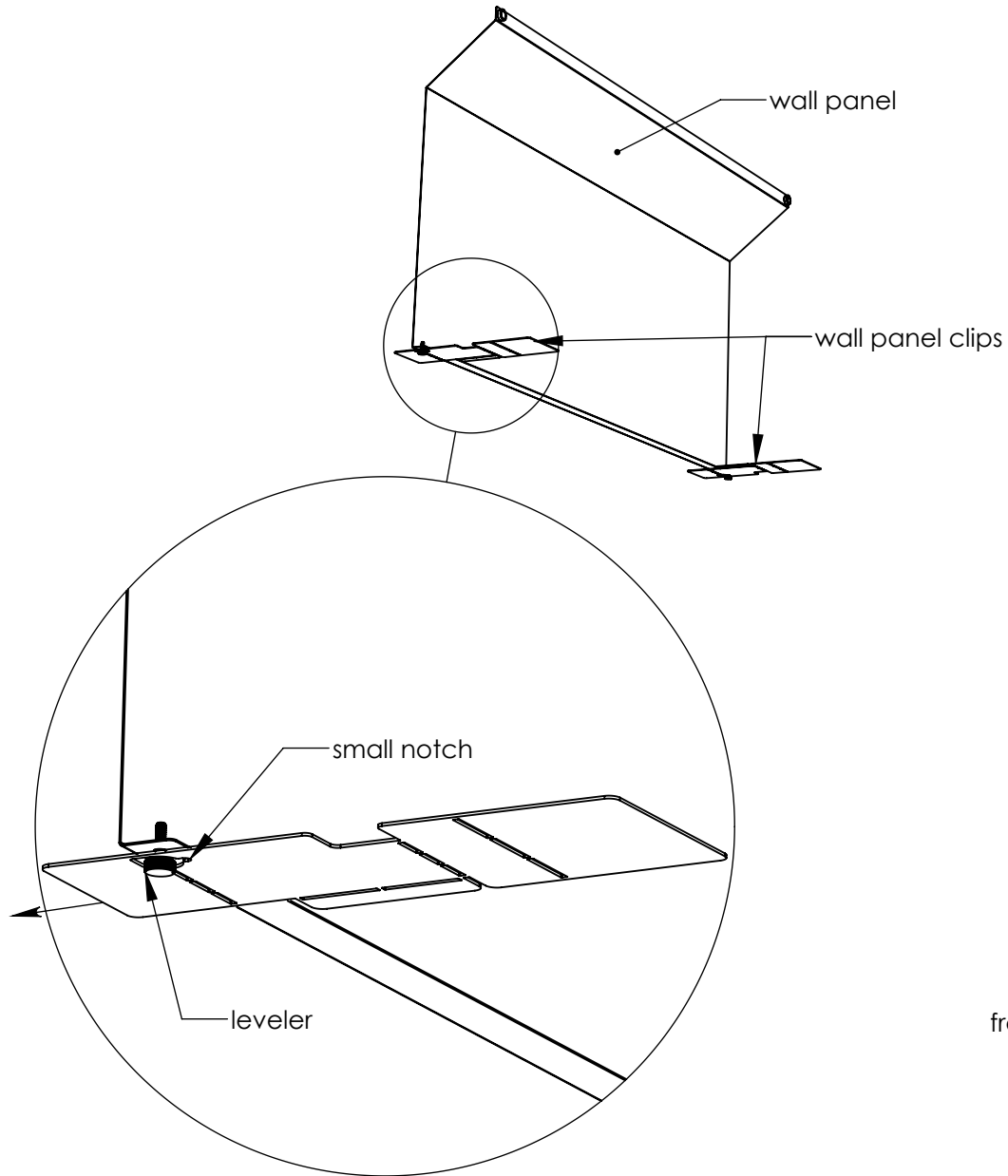
1/6/23

Customer Service 1-800-682-5730

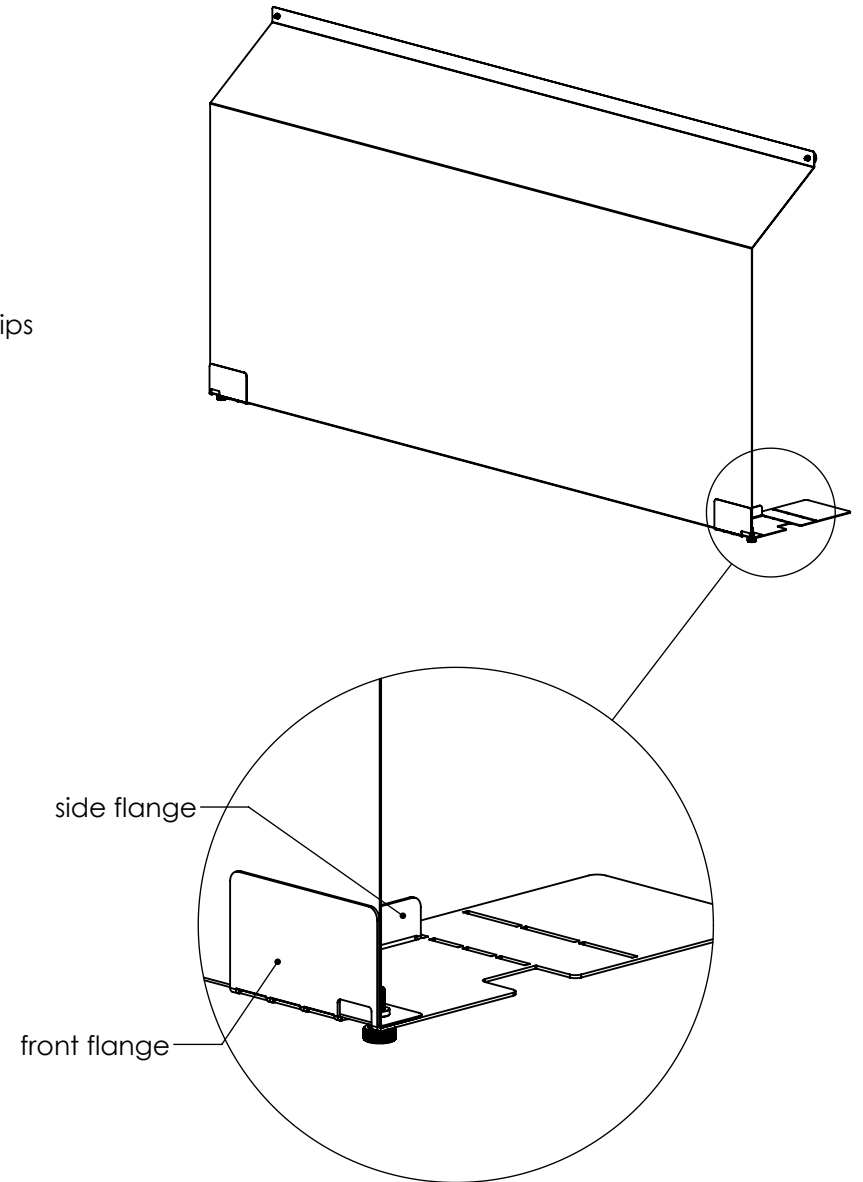
PAGE

1 OF 4

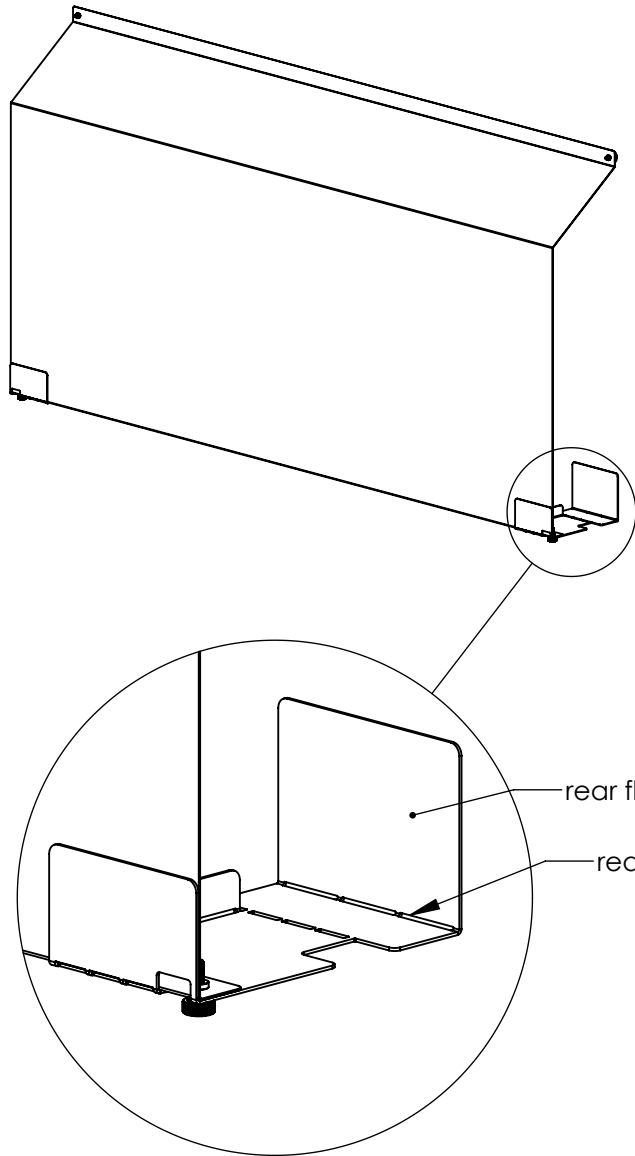
Step 1: Connect clips over wall panel levelers. Slide clips forward so that small notch is around the leveler threads.



Step 2: Bend front flange and side flange on clip up 90°.



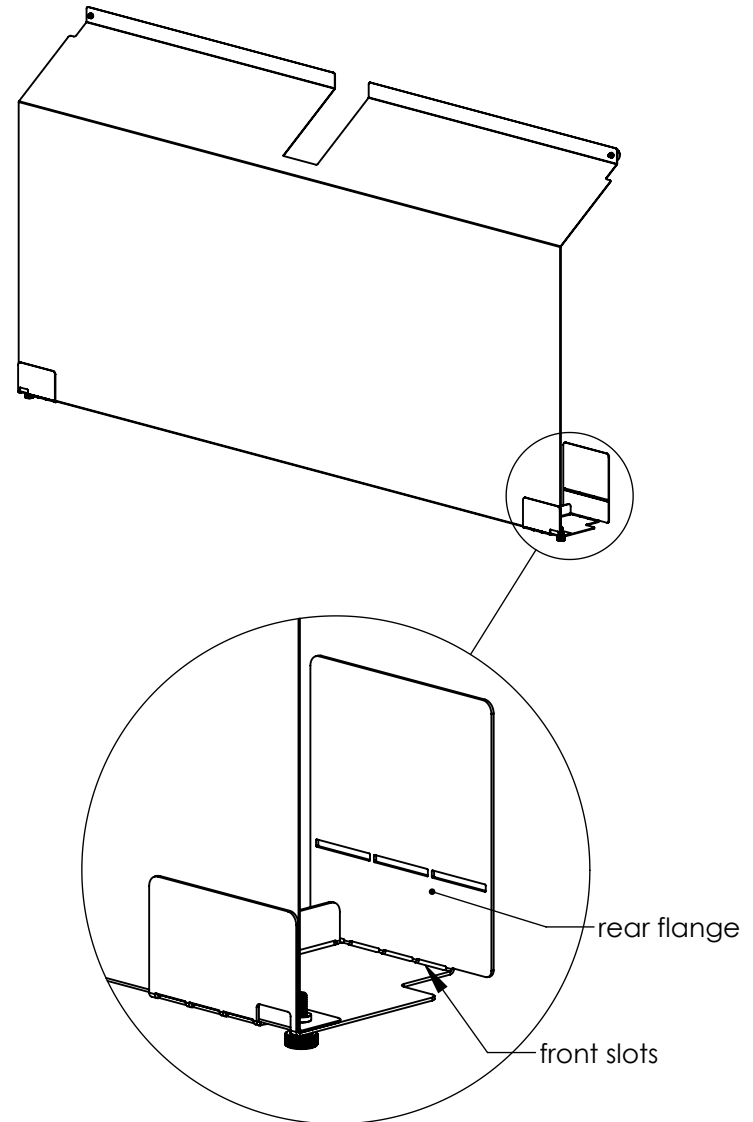
Step 3: For FET wall panels, bend rear flange on clip up 90° at rear slots.



rear flange

rear slots

Step 3A: For half gondola wall panels, bend rear flange on clip up 90° at front slots.

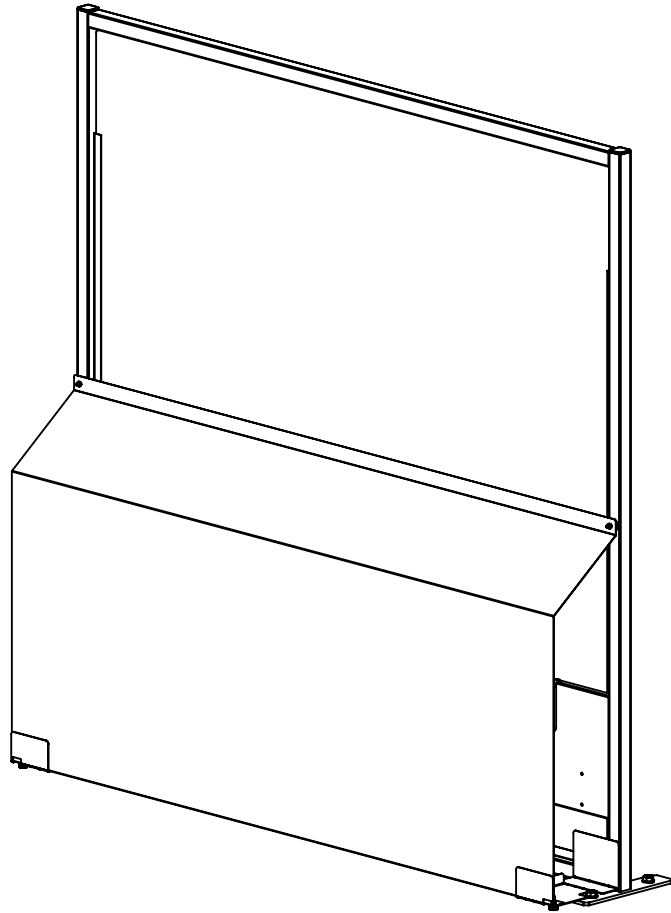


rear flange

front slots

Step 4: Connect wall panels to FET wall or half gondolas.

FET WALL PANEL



HALF GONDOLA WALL PANEL

