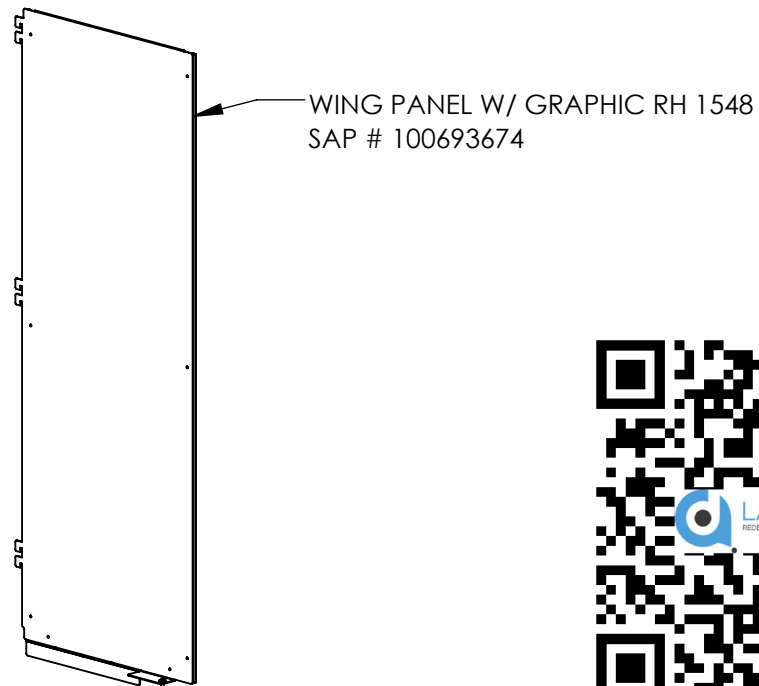
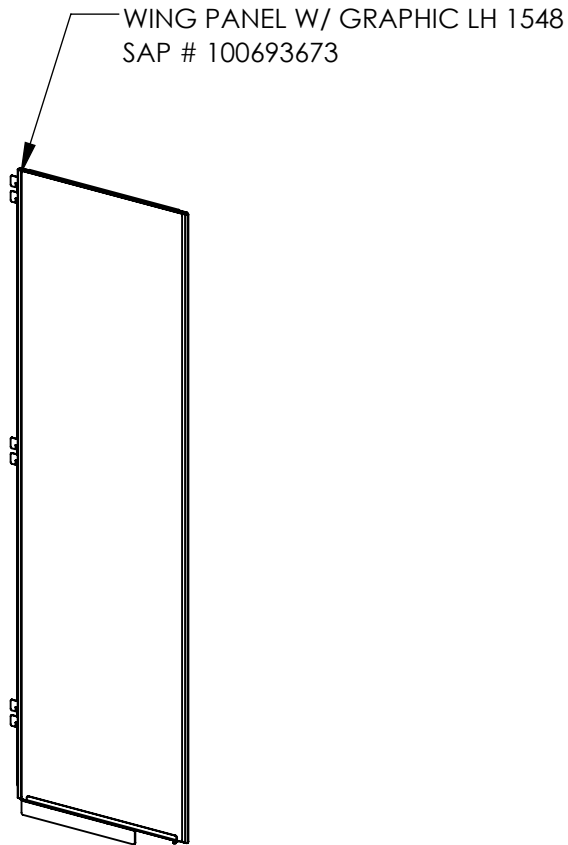


Walmart Part No. **100693673**
100693674

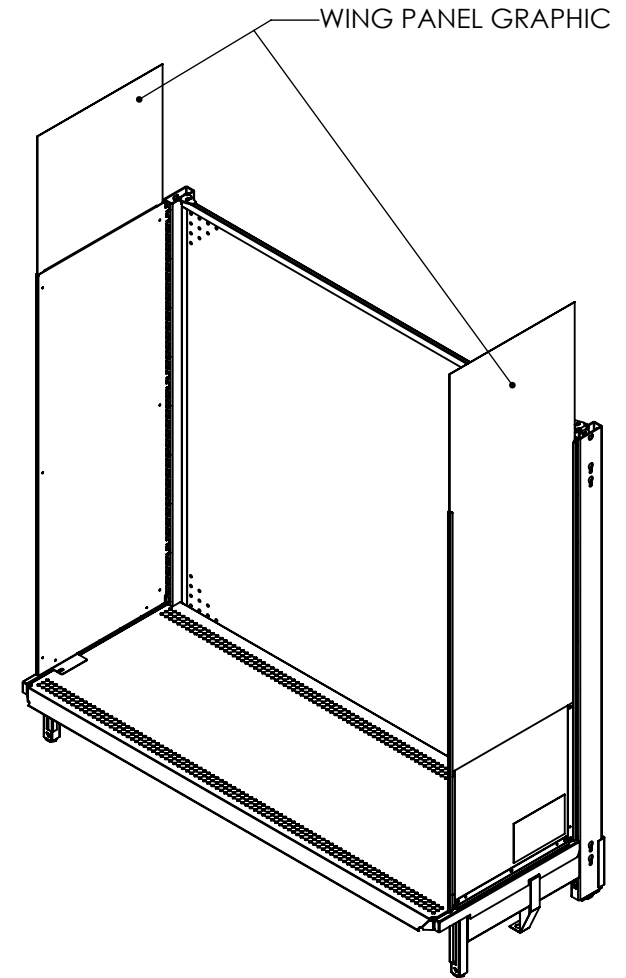
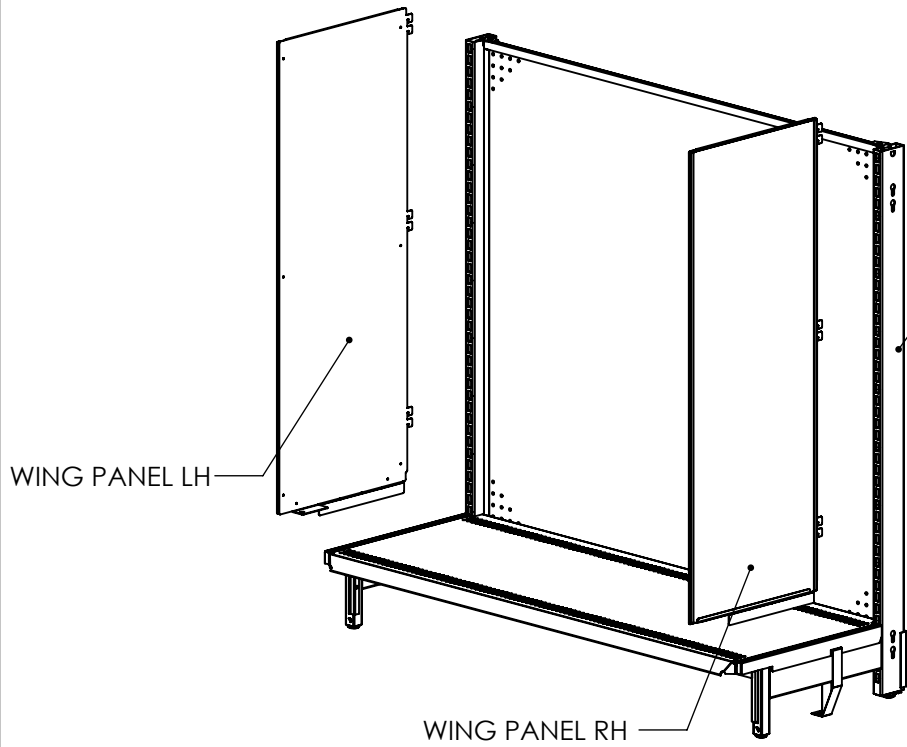
Walmart Description
WING PANEL W/ GRAPHIC LH 1548
WING PANEL W/ GRAPHIC RH 1548



Scan QR code or visit www.ladarling.com/wing-panel/
for a digital copy of the instruction sheets.

Installation of Wing Panels on the Gondola

ITEM LIST FOR INSTALLATION		
QTY	LAD PART #	DESCRIPTION
1	15154848LC215	WING PANEL LH
1	15154848RC215	WING PANEL RH
2	53796448N000	WING PANEL GRAPHIC

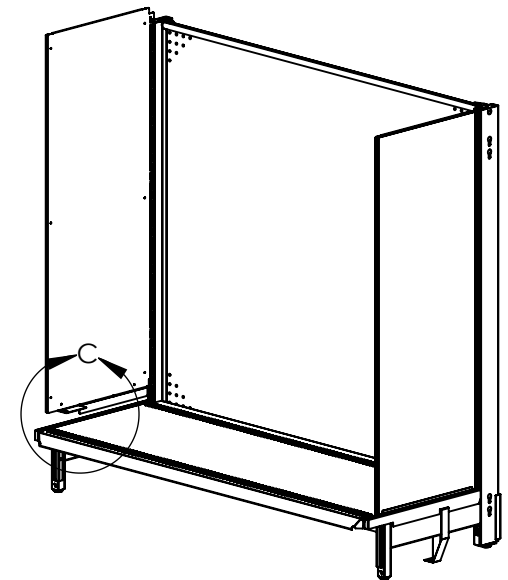
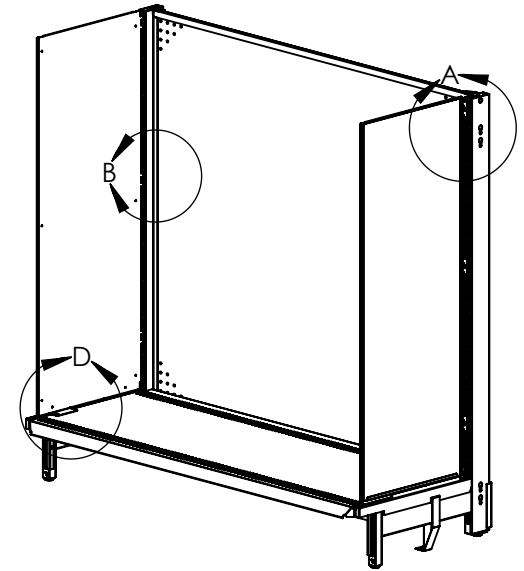
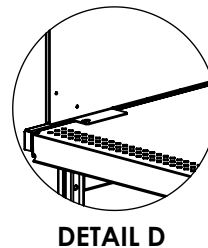
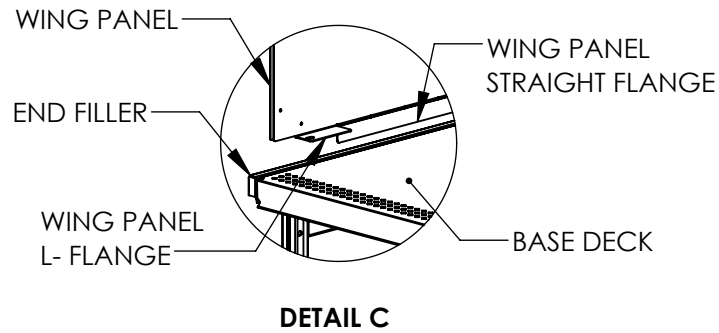
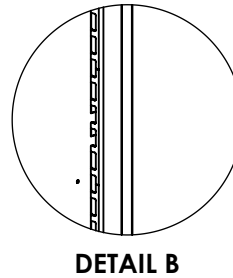
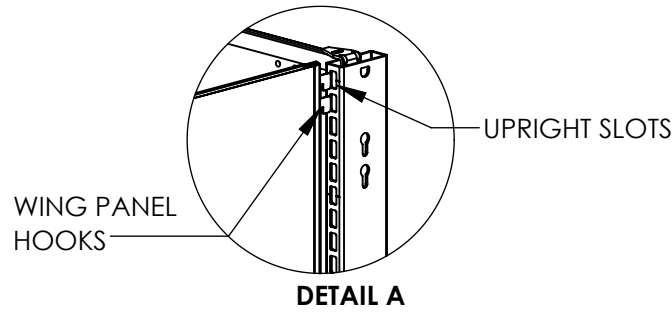


Installation of Wing Panels on the Gondola

STEP 1:
Align the wing panel's straight flange and go in between the base deck and end filler as shown in Detail "C".

STEP 2:
Align the wing panel to the upright slots as shown in Detail "A" and make sure the wing panel hooks to upright in all three places as shown in Detail "B".

Make sure hooks are seated on upright slots and wingpanel L-flange sits on top of the base deck, as shown in Detail "D".

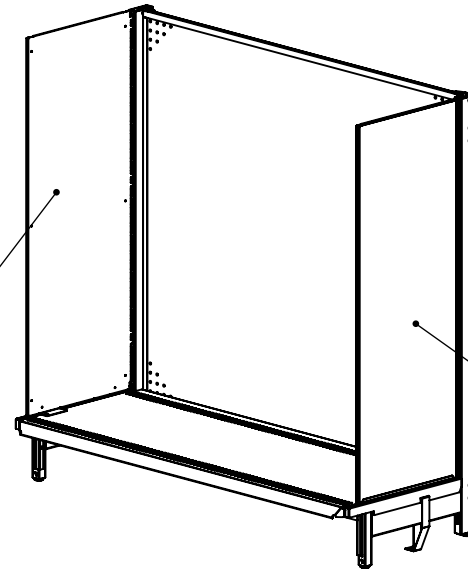


Installation of Wing Panels on the Gondola

STEP 3:

Repeat the same instructions as steps 1 and 2 to Install both LH and RH Wing panels.

LH SIDE WING PANEL

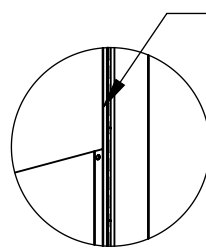


RH SIDE WING PANEL

STEP 4:

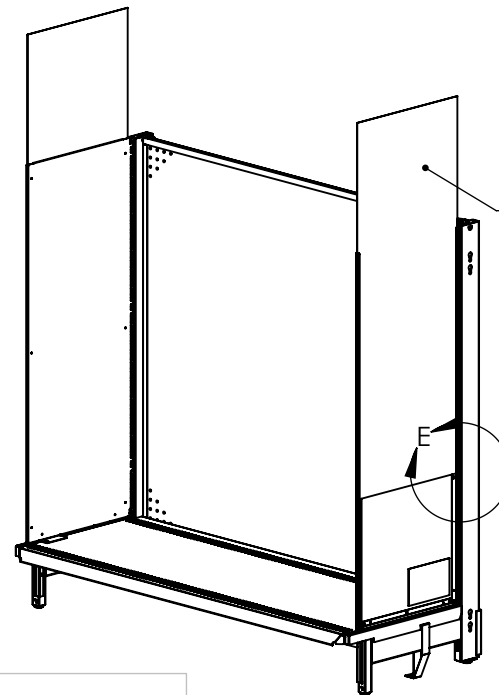
Install the wing panel graphic from the top in the side wing panel and make sure to fit in the U-channel for both LH and RH.

WING PANEL
U-CHANNEL



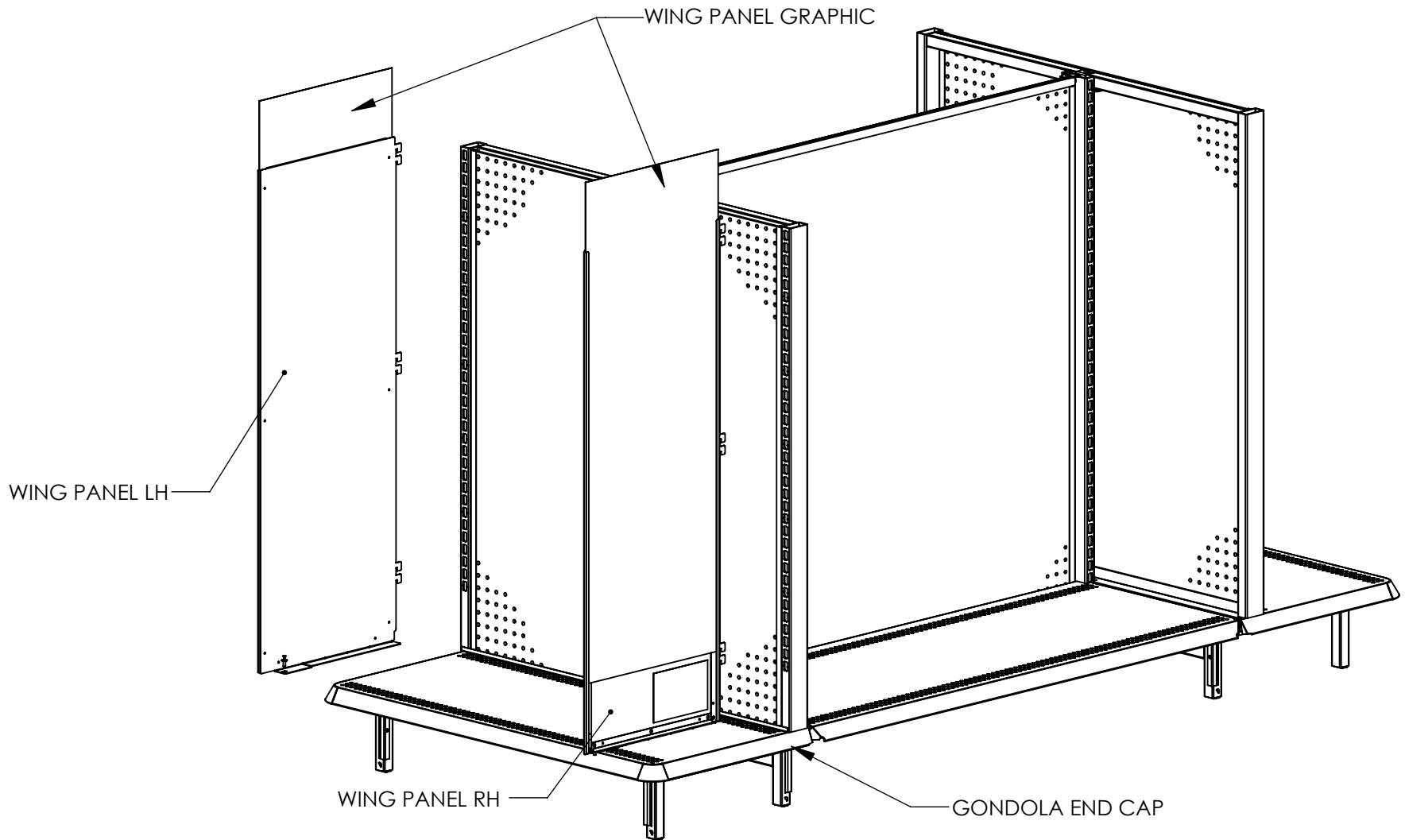
DETAIL E

GRAPHIC



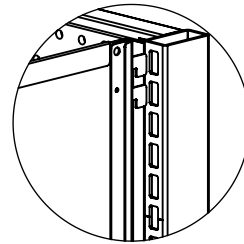
Installation of Wing Panels on End Cap

ITEM LIST FOR INSTALLATION		
QTY	LAD PART #	DESCRIPTION
1	15154848LC215	WING PANEL LH
1	15154848RC215	WING PANEL RH
2	53796448N000	WING PANEL GRAPHIC

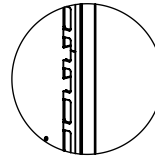


Installation of Wing Panels on End Cap

STEP 1:
 Bend the wing panel's flange to 90° (facing same direction as L-flange) as shown in Detail "C".



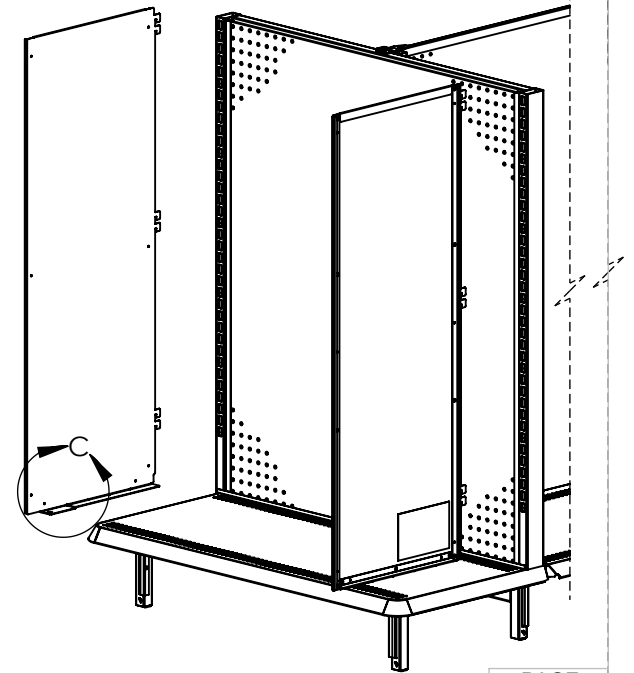
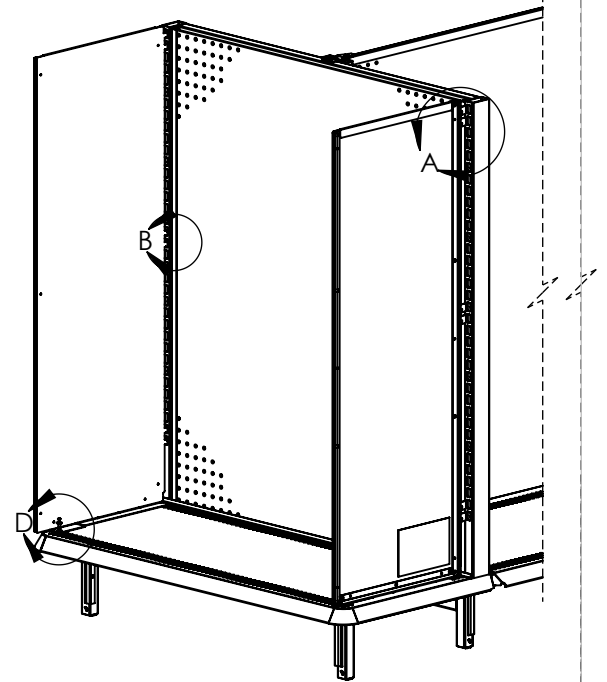
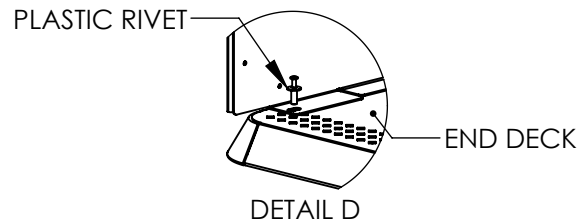
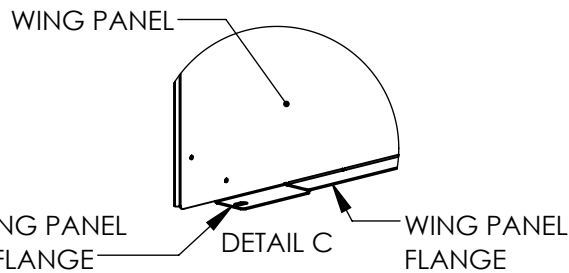
DETAIL A



DETAIL B

STEP 2:
 Align the wing panel to the upright slots as shown in Detail "A" and make sure the wing panel hooks to upright in all three places as shown in Detail "B".

Step 3:
 Make sure hooks are seated on upright slots and install plastic rivet through L-flange into End Deck perf, as shown in Detail "D".

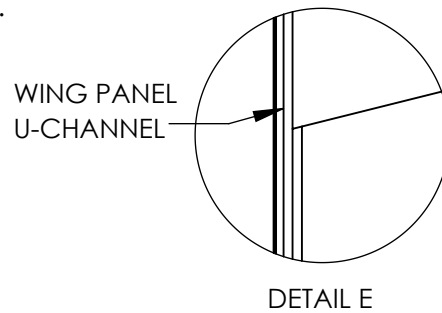


LAD DESCRIPTION			
WING PANEL ASSEMBLY INSTRUCTIONS			
LAD PART NO.	REV.	BY	DATE
151548IS	1	RP	7/27/23

Installation of Wing Panels on End Cap

STEP 4:
Repeat the same instructions as steps 1-3 to install both LH and RH Wing panels.

STEP 5:
Install the wing panel graphic from the top in the side wing panel and make sure to fit in the U-channel for both LH and RH.



LH SIDE WING PANEL

