



Store Experience Group

---

## Instructions

## Metal Security Cabinet

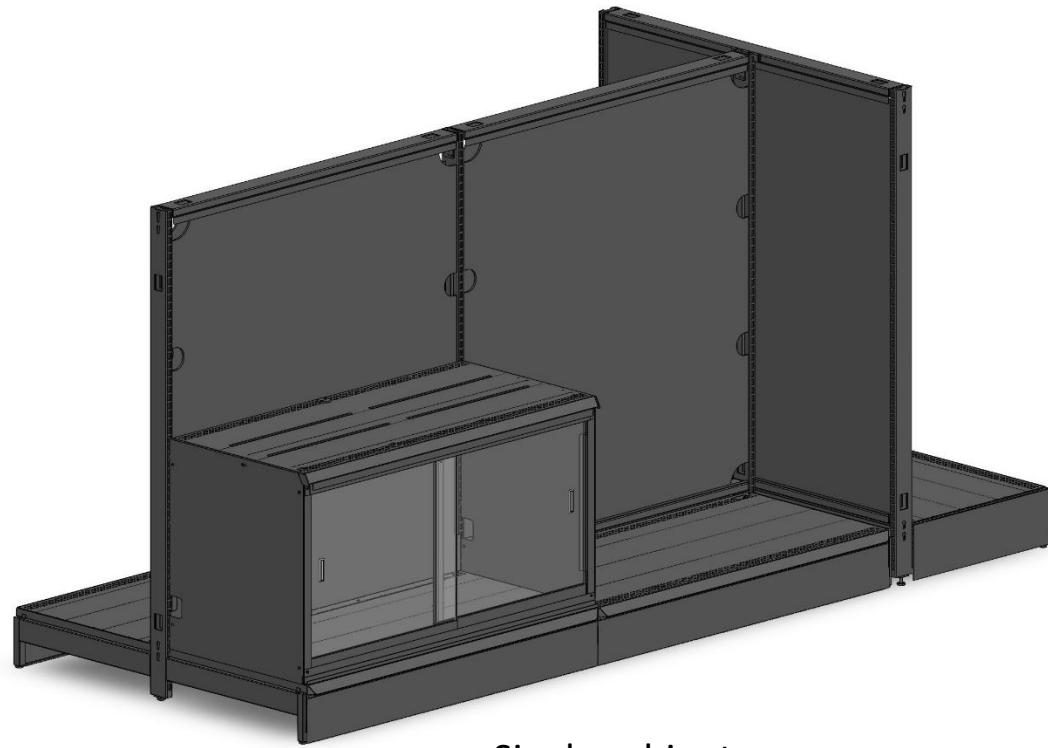
---

**Last updated:** January 6, 2021 2:35 PM

**For questions regarding this project:** [Firstname.Last@BestBuy.com](mailto:Firstname.Last@BestBuy.com)

**Proprietary and confidential. All rights reserved. ©Best Buy**  
Best Buy internal and vetted partner use only. Do not copy, publish, or distribute.

# Metal Security Cabinet



Single cabinet



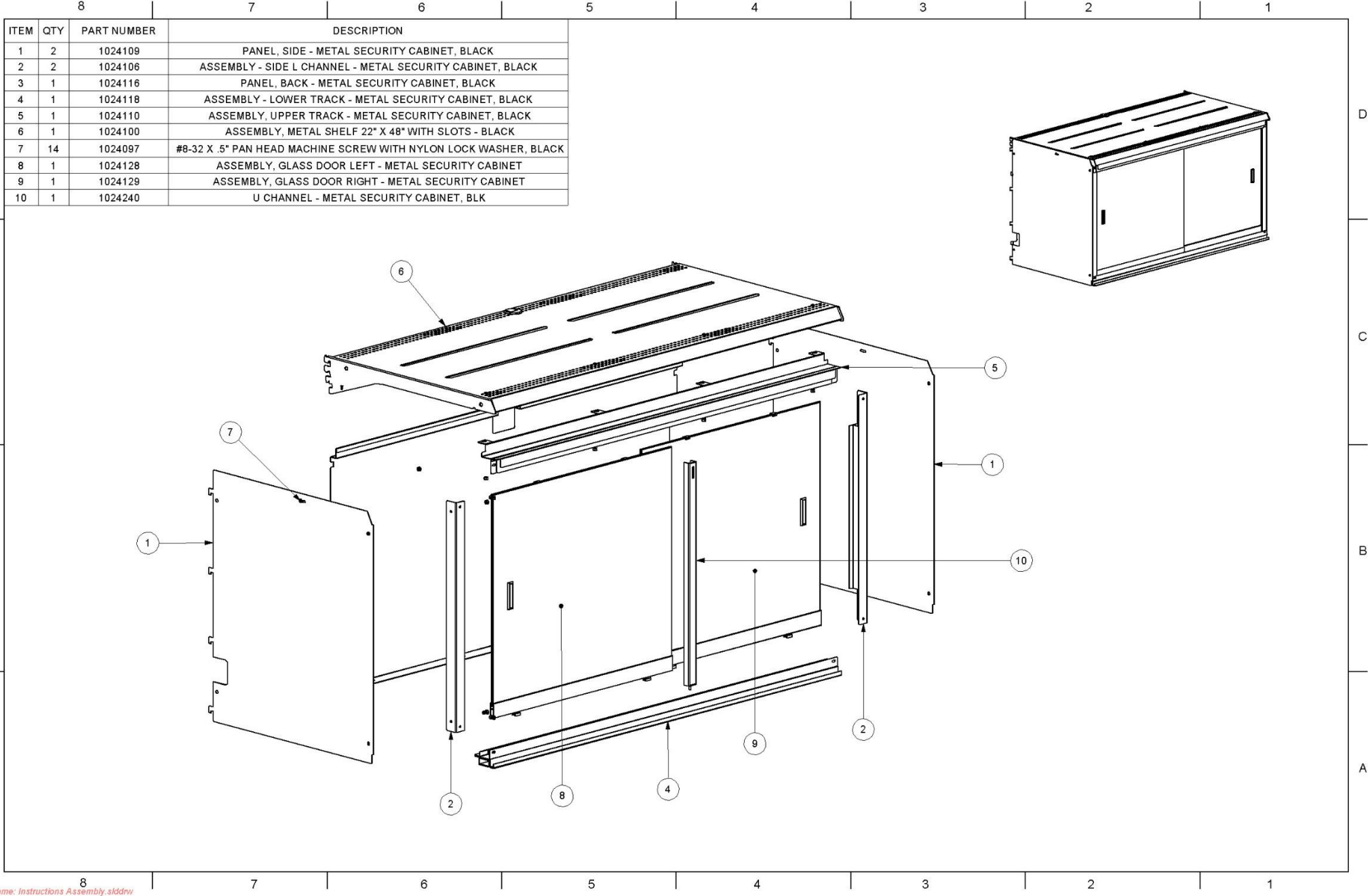
Double cabinets

# **Single Cabinet Instructions**

Instructions

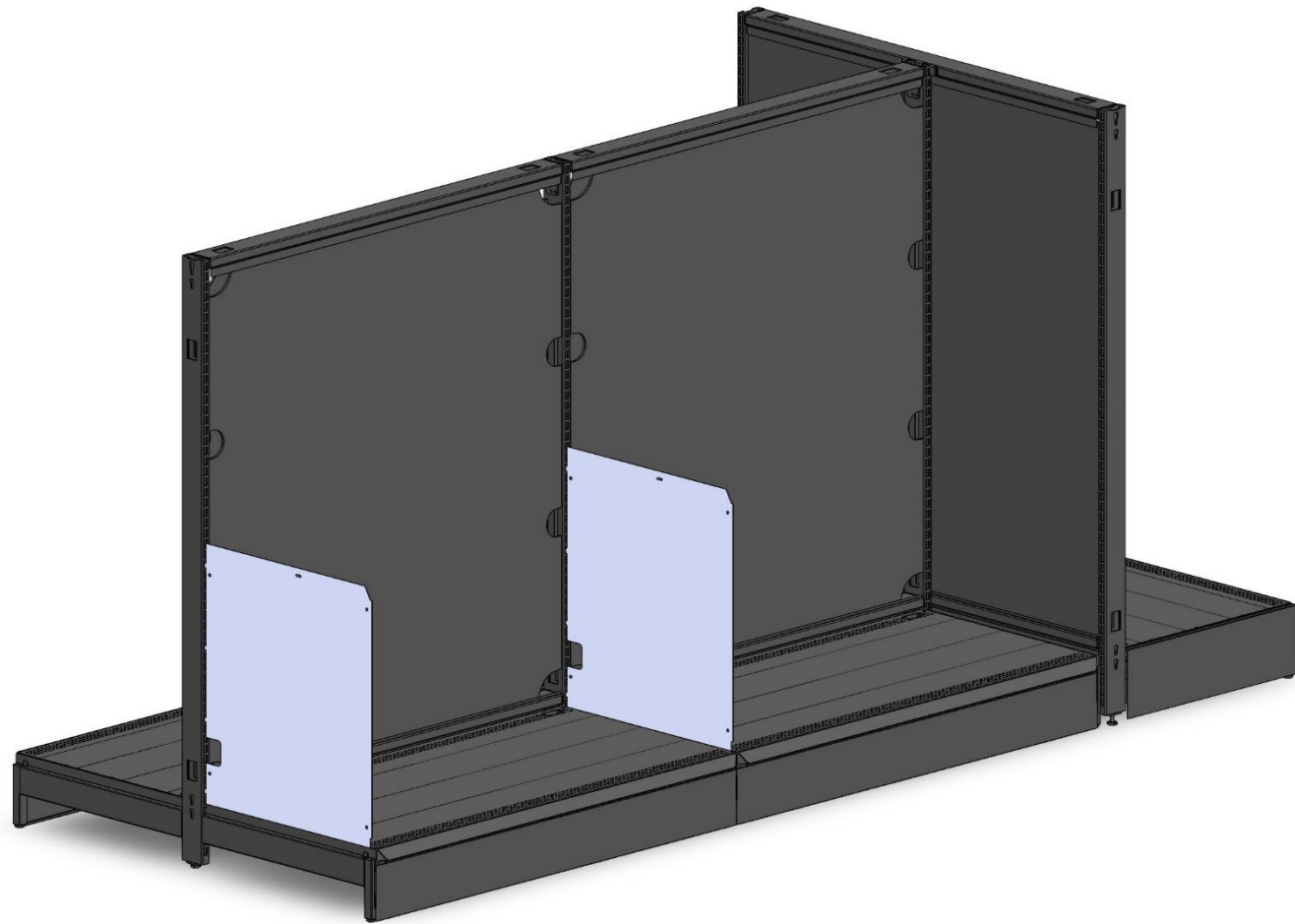
# Metal Security Cabinet – Single Cabinet Exploded

- This fixture is shipped knock down and the parts included are shown in the bill of materials
- Tools needed
  - Phillips head screwdriver
  - 11/32" wrench



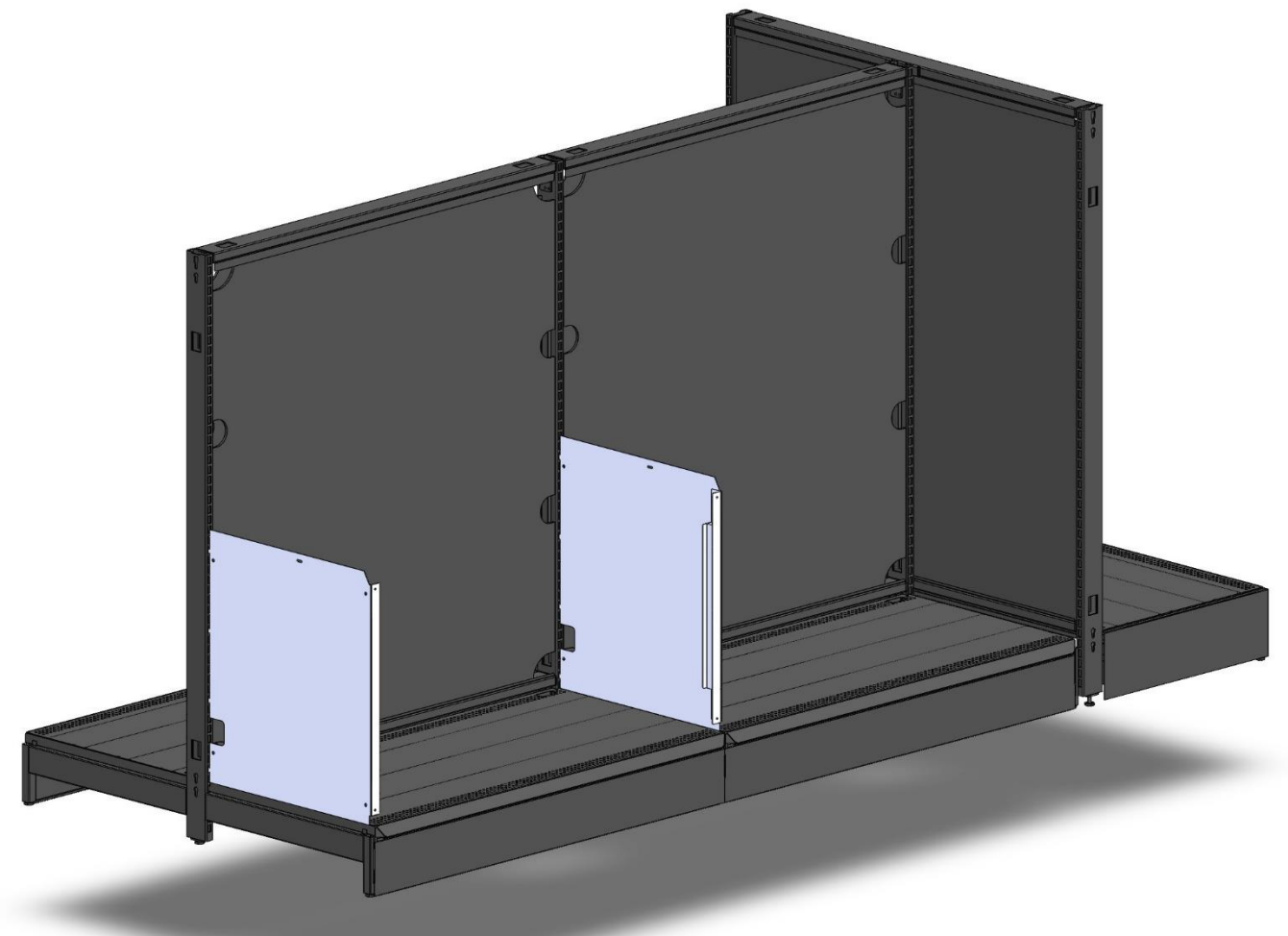
filename: Instructions Assembly.slddrw

# Metal Security Cabinet – Single Cabinet Instructions



Step 1

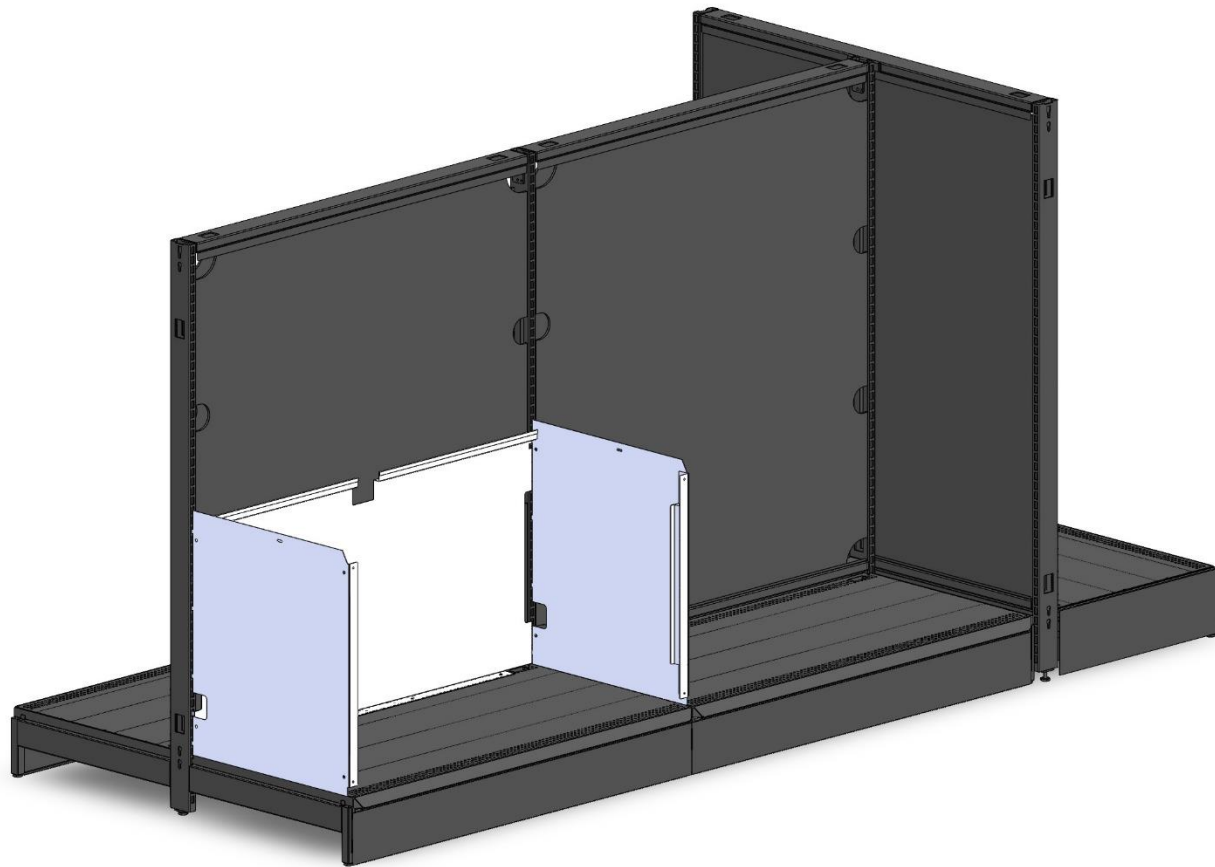
- Insert side panels into the uprights



Step 2

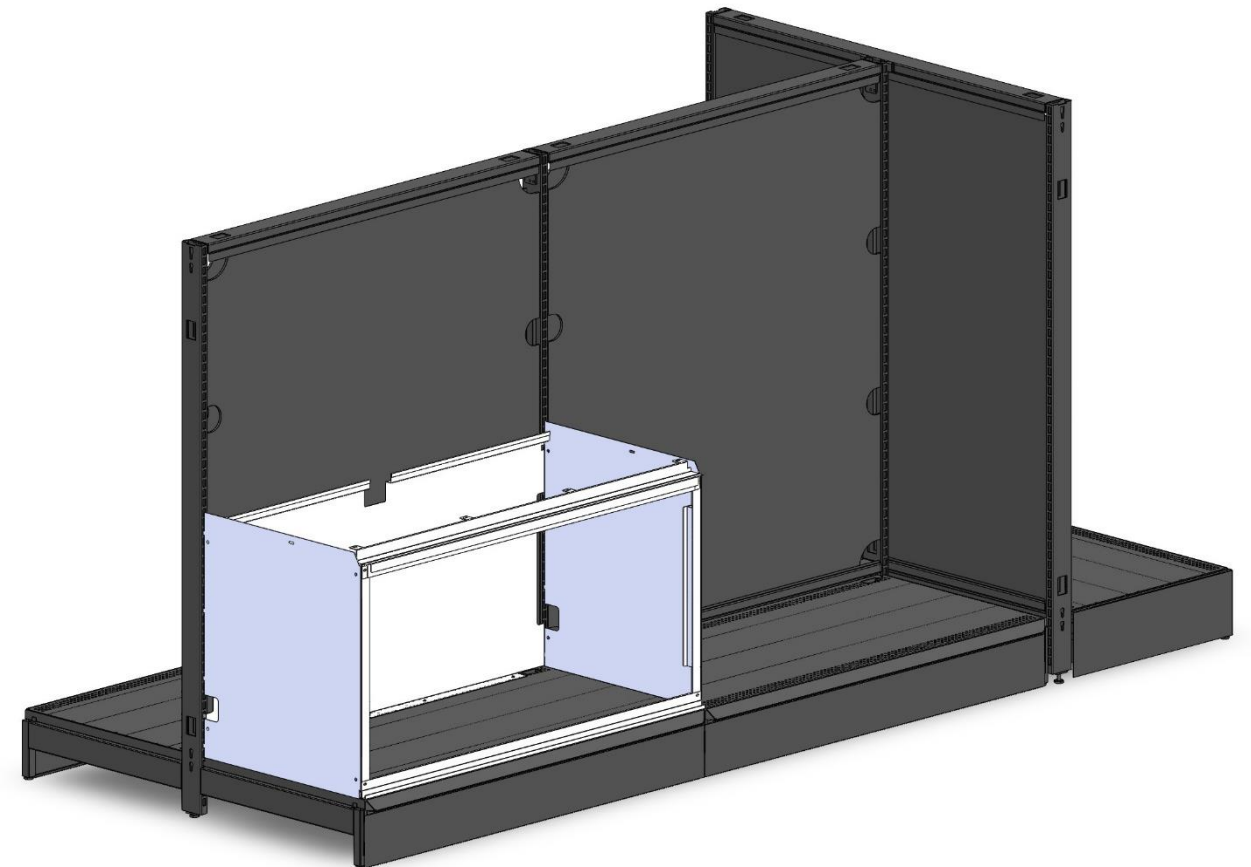
- Attach side L channels to the side panels using (2 per) #8-32 machine screws and nylon lock nuts. Do not fully tighten. Will fully tighten after the assembly is complete

# Metal Security Cabinet – Single Cabinet Instructions



## Step 3

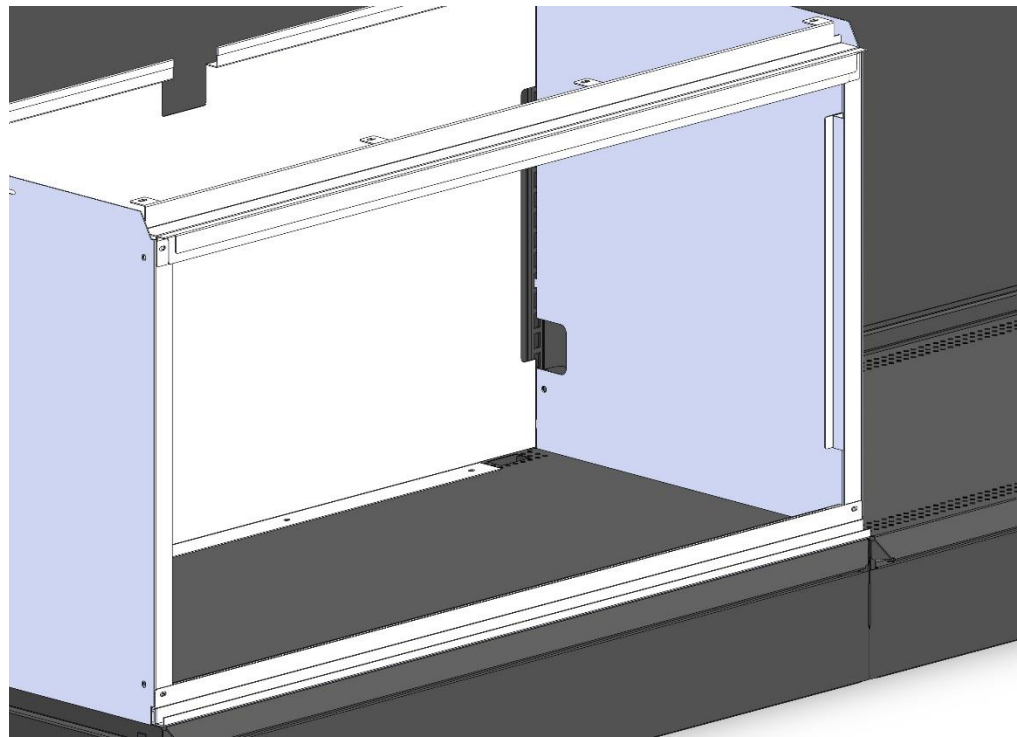
- Attach back panel into the uprights
- There will be a gap for adding the top shelf
- Attach to basedeck using supplied Christmas tree fasteners



## Step 4 (continued on next page)

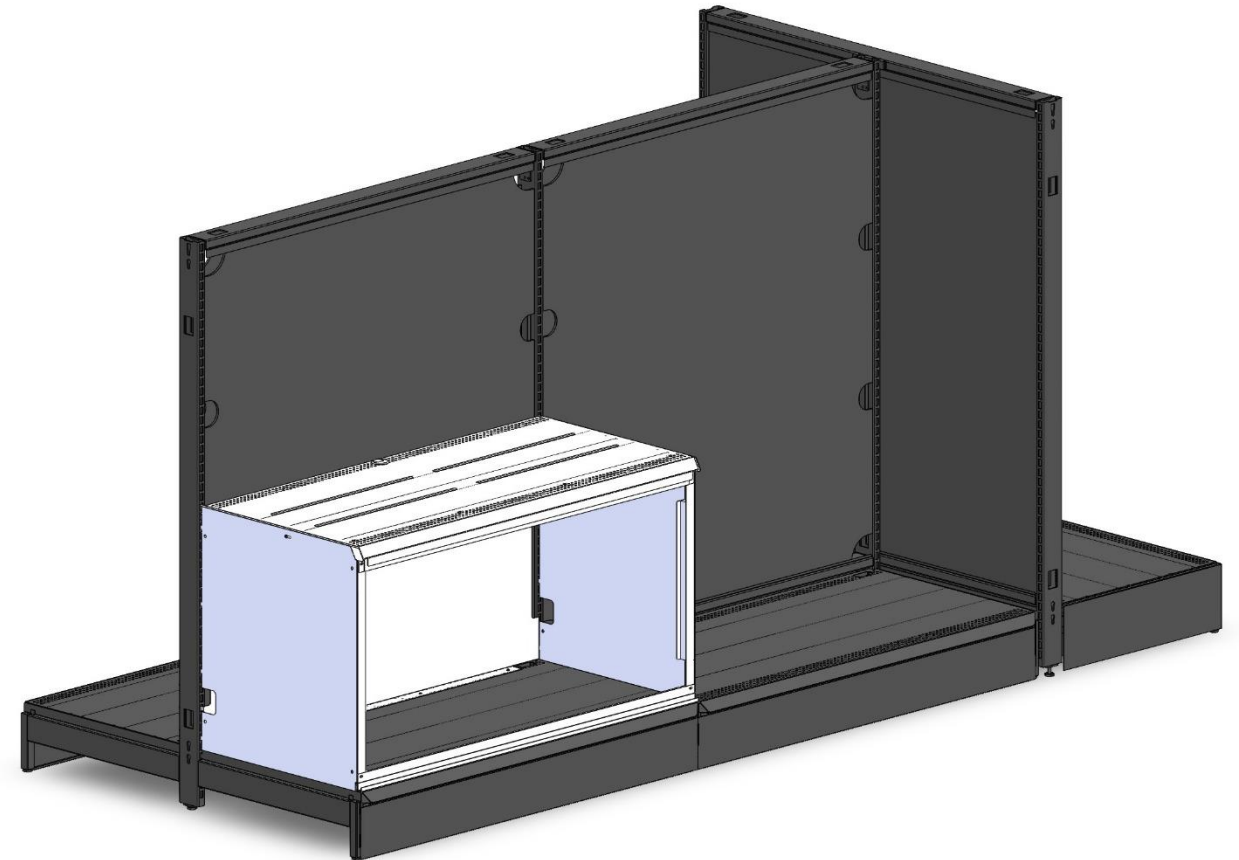
- Attach the upper track and lower track sub assemblies using (2 per) #8-32 machine screws and nylon lock nuts. Do not fully tighten. Will tighten after the assembly is complete.

# Metal Security Cabinet – Single Cabinet Instructions



Step 4 (continued from previous page)

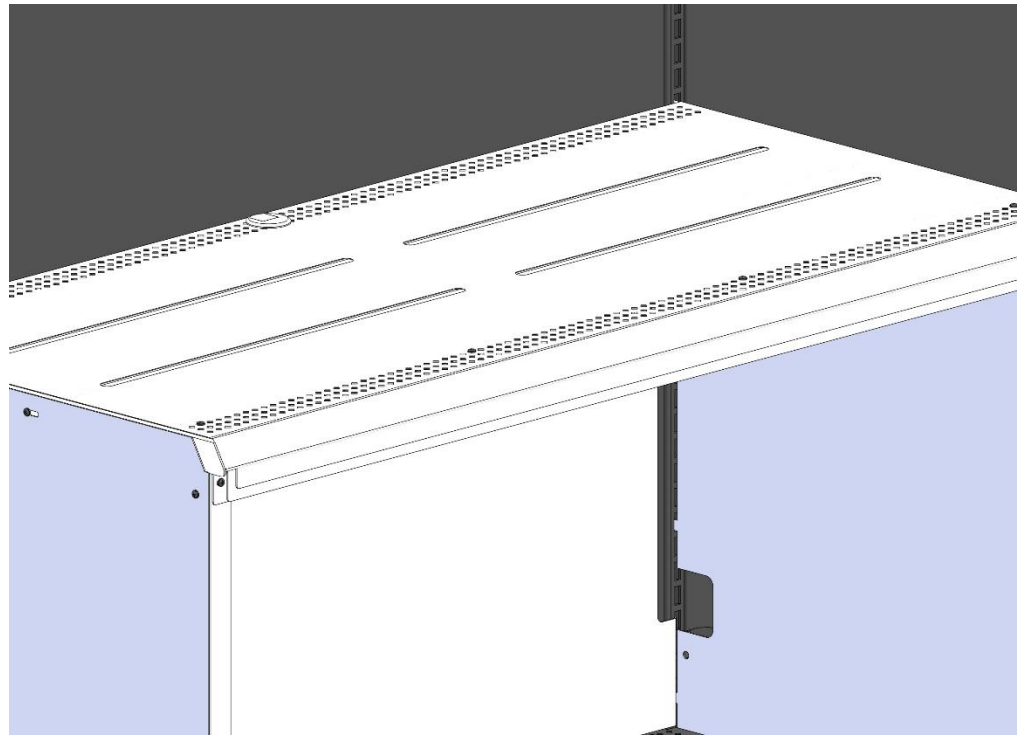
- Upper and lower track assemblies are attached on the outside of the L channel sub assembly



Step 5 (continued on the next page)

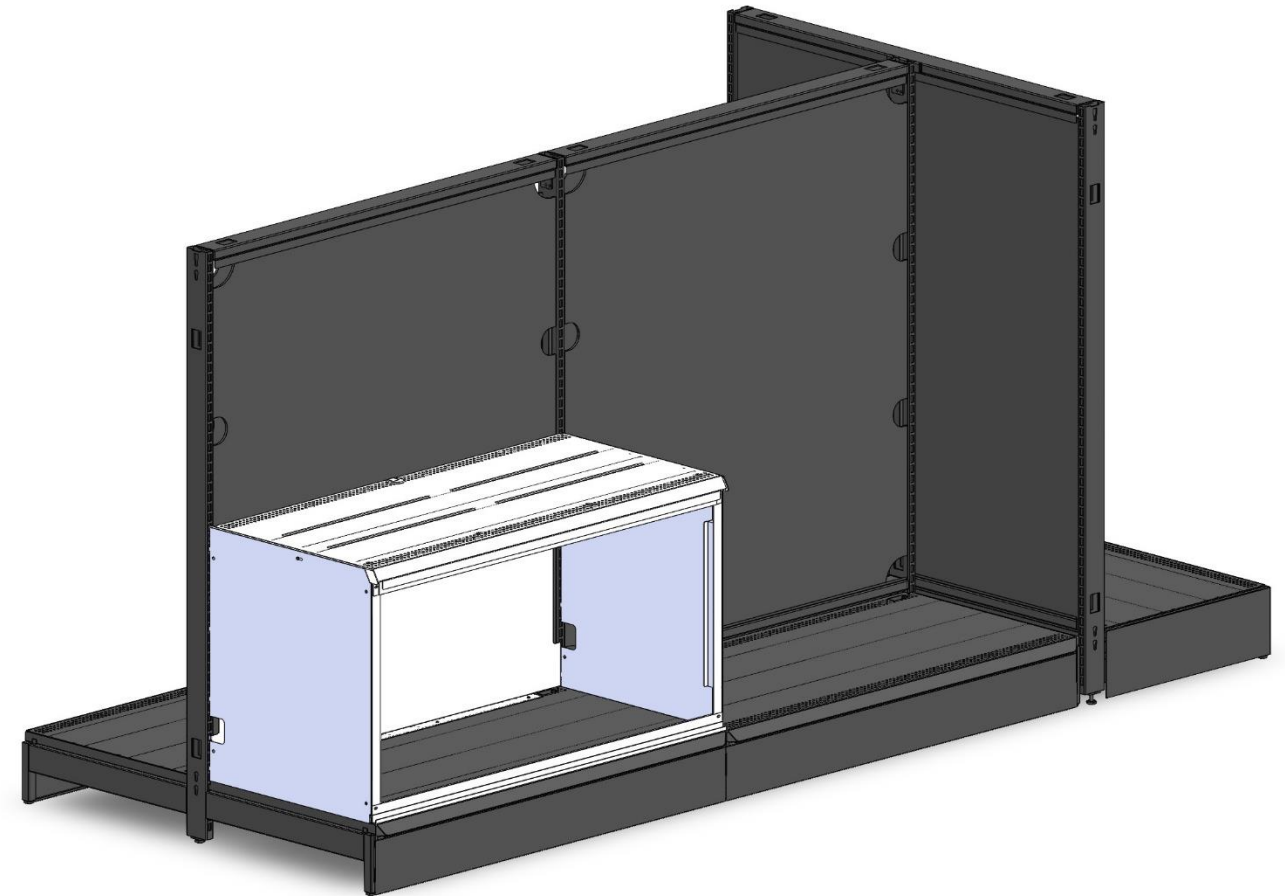
- Hook the 22" x 48" upper shelf into the slots of the uprights

# Metal Security Cabinet – Single Cabinet Instructions



Step 5 (continued from previous page)

- Attach the side panel to the shelf using a #8-32 machine screw and nylon lock nut
- Attach the shelf thru the perf to the upper track sub assembly using (qty 4) #8-32 machine screws and nylon lock nuts

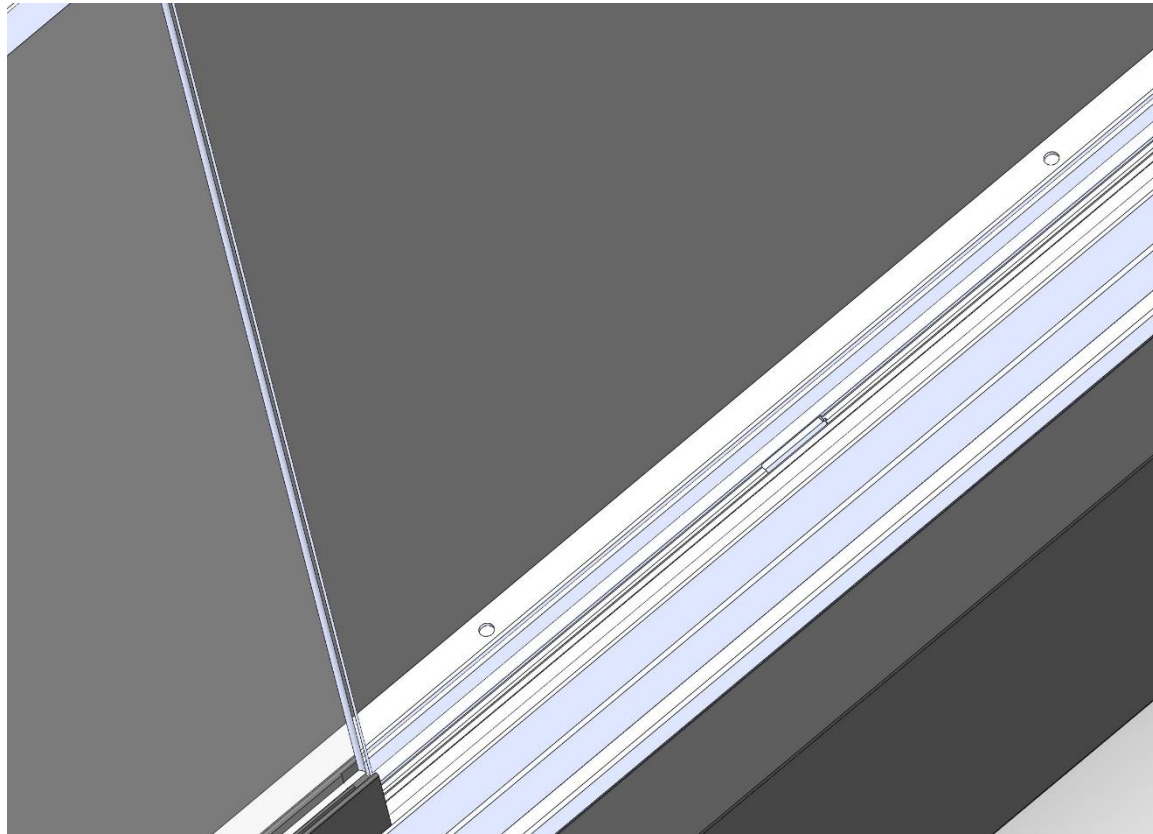


Step 6

- Fully tighten all machine screws

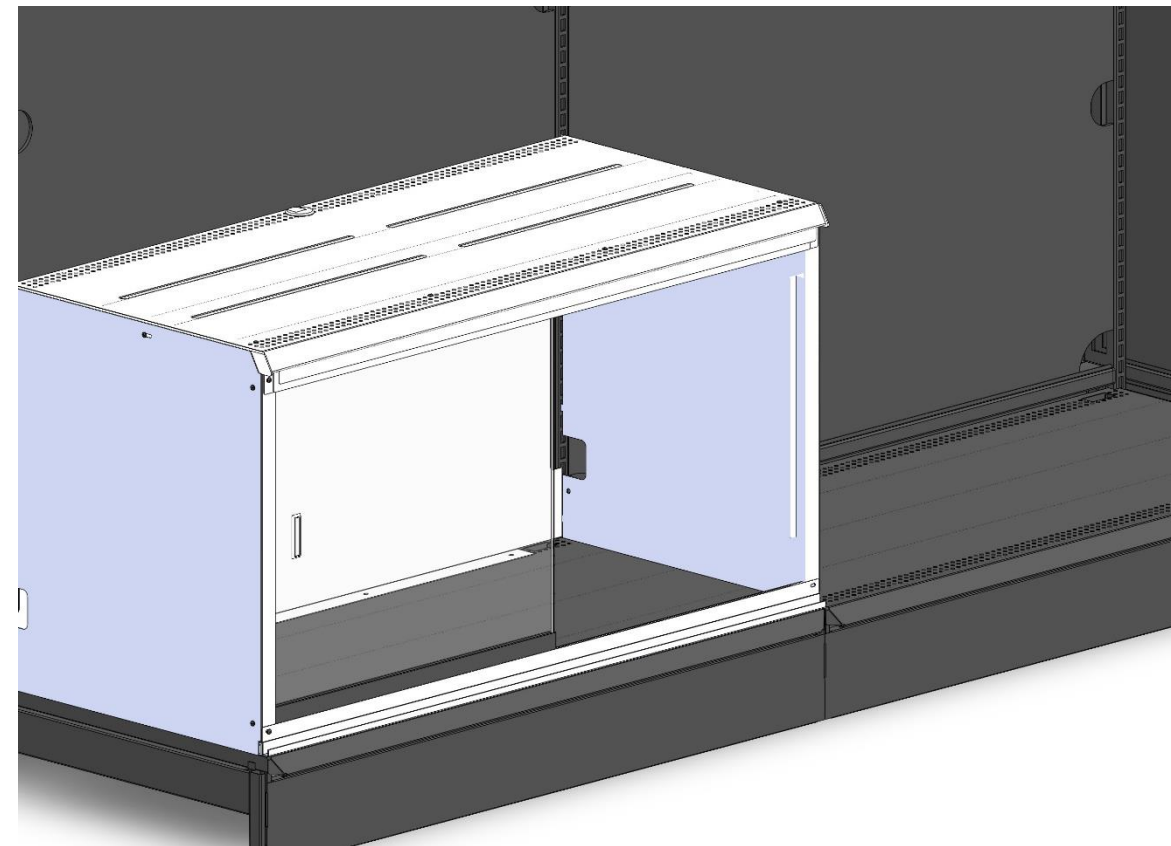


# Metal Security Cabinet – Single Cabinet Instructions



## Glass Door Note

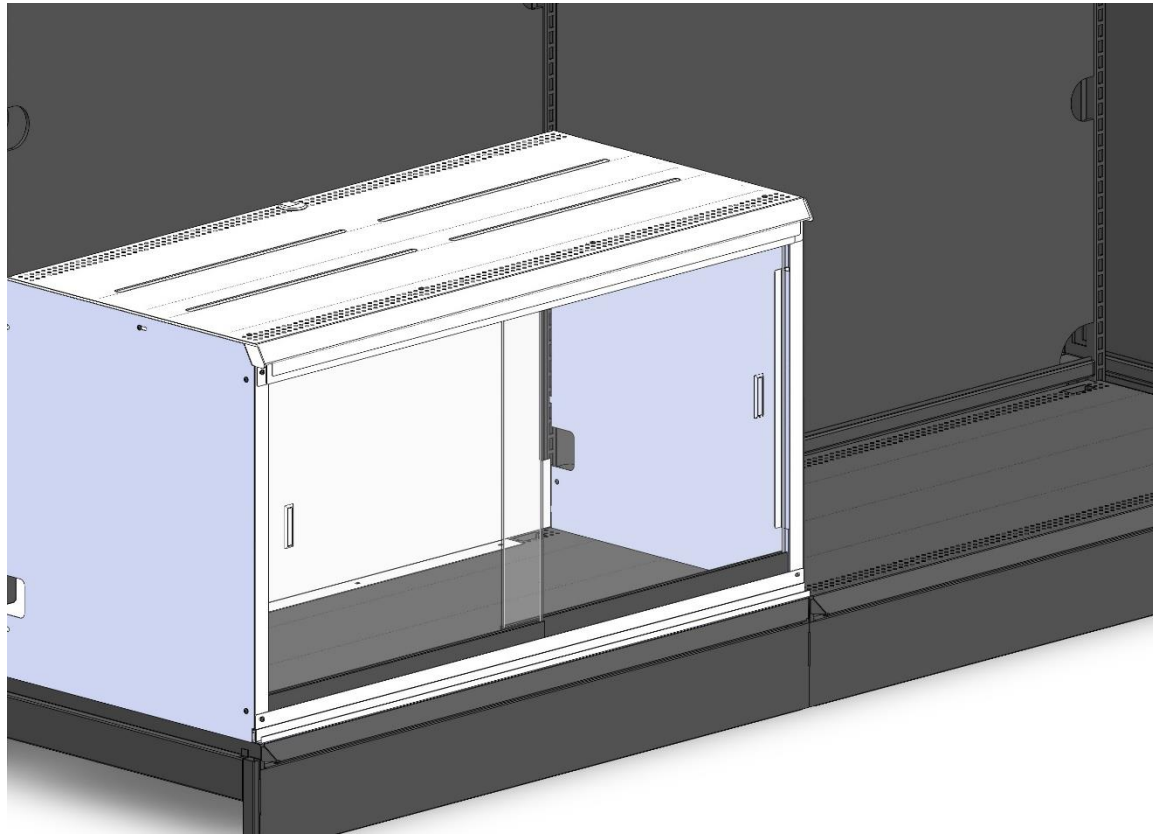
- Notches are cut into the lower track to lift / drop the glass doors onto the track
- Glass doors must be inserted from inside the cabinet



## Step 7

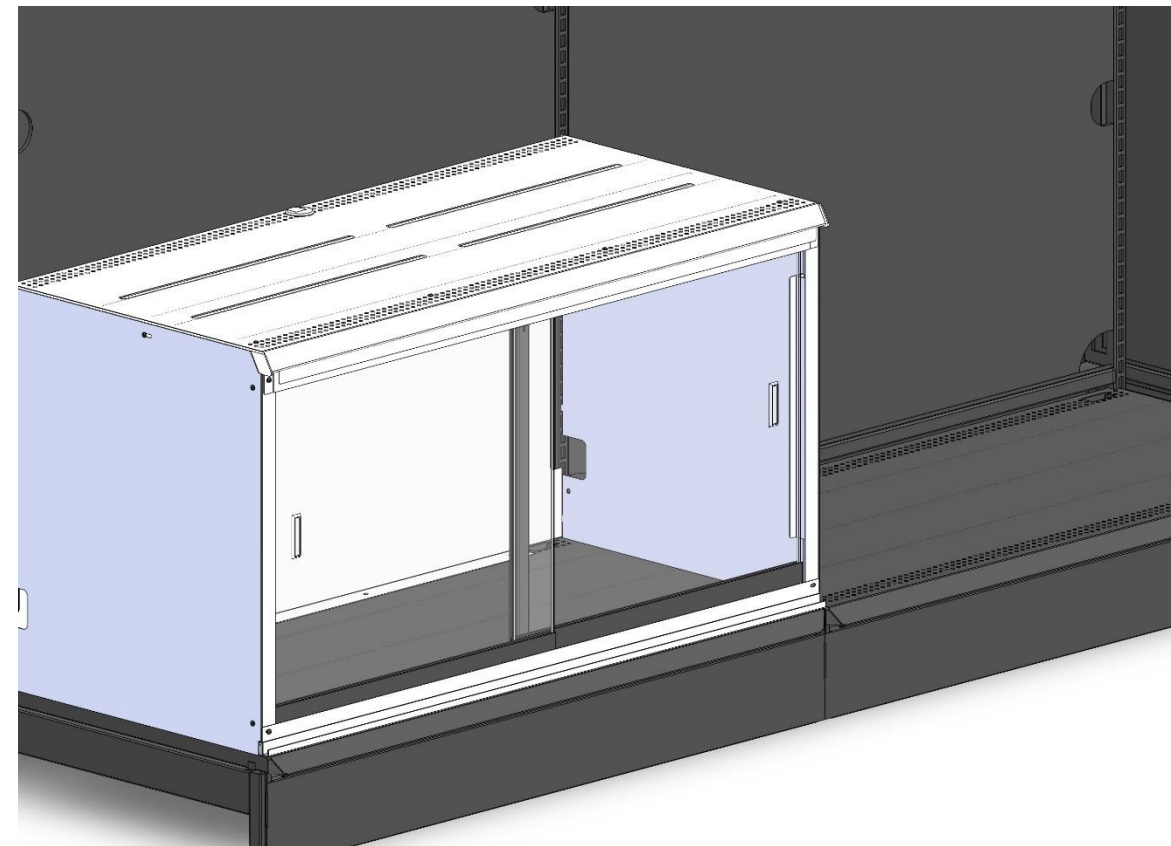
- Lift / Drop the left glass door assembly into the front track

# Metal Security Cabinet – Single Cabinet Instructions



## Step 8

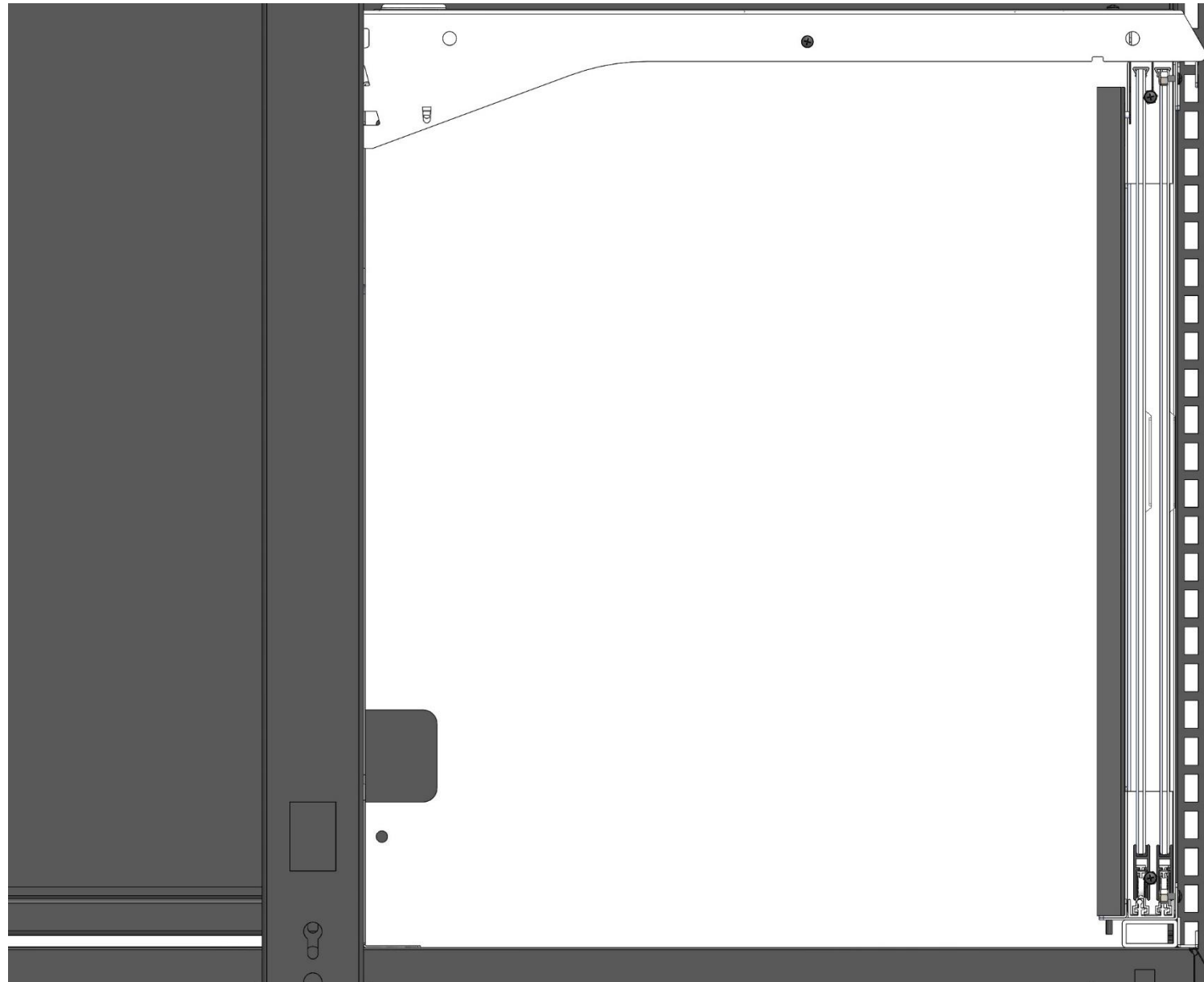
- Lift / Drop the right glass door assembly into the rear track



## Step 9 (continued on next page)

- Attach vertical U channel. Slot goes to the top and put the welded stud through the slot and attach using a #8-32 nut
- Place the lower stud thru the hole and attach using a #8-32 nut

# Metal Security Cabinet – Single Cabinet Instructions



Step 9 (continued from previous page)

- U channel goes in after the glass doors and is behind the doors

Step 10

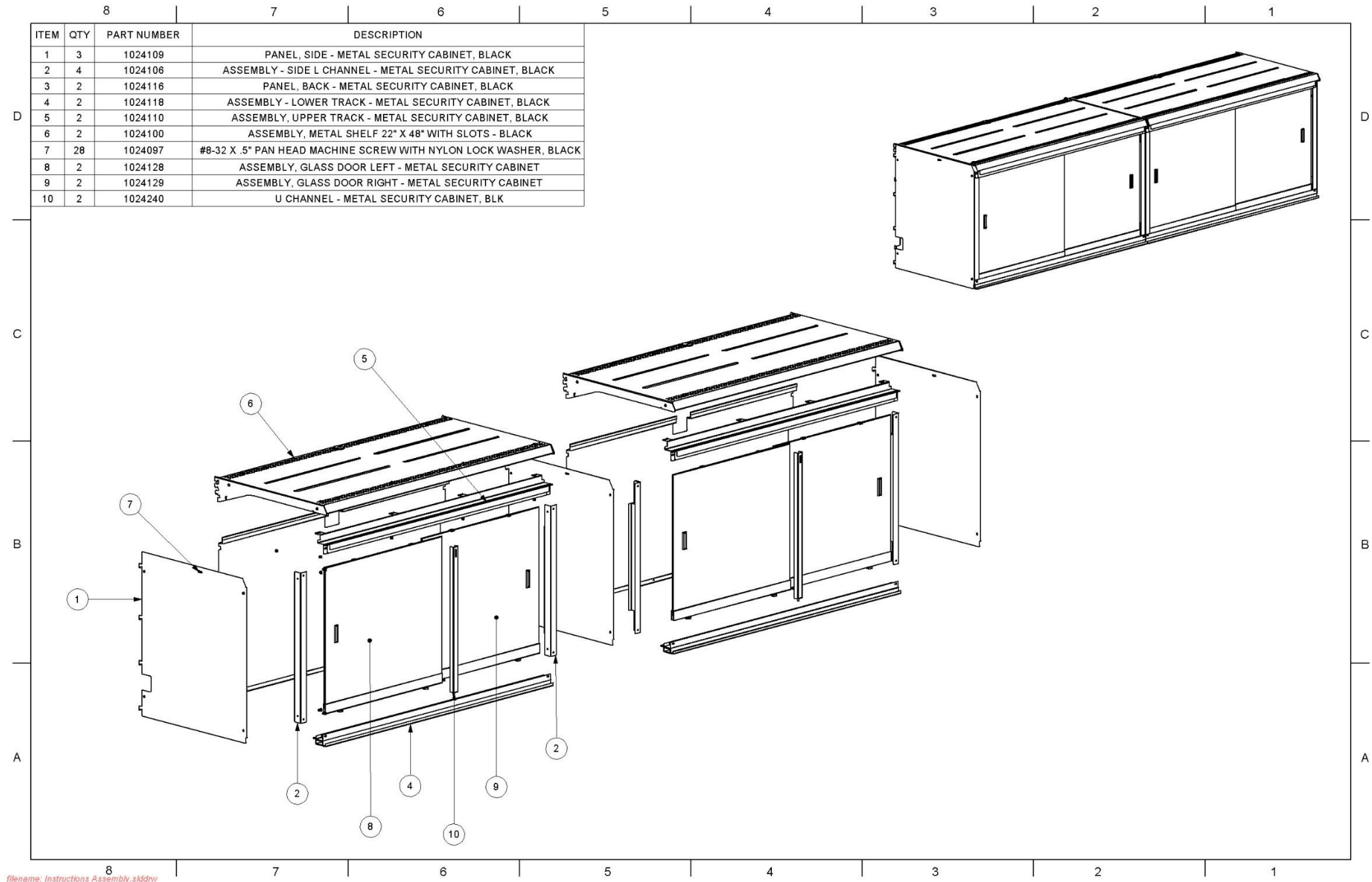
- Attach the 18" shelf to the upright slots inside the cabinet
- Attach the merch bar with powerstrip to the upright slots inside the cabinet

# **Double Cabinet Instructions**

# Instructions

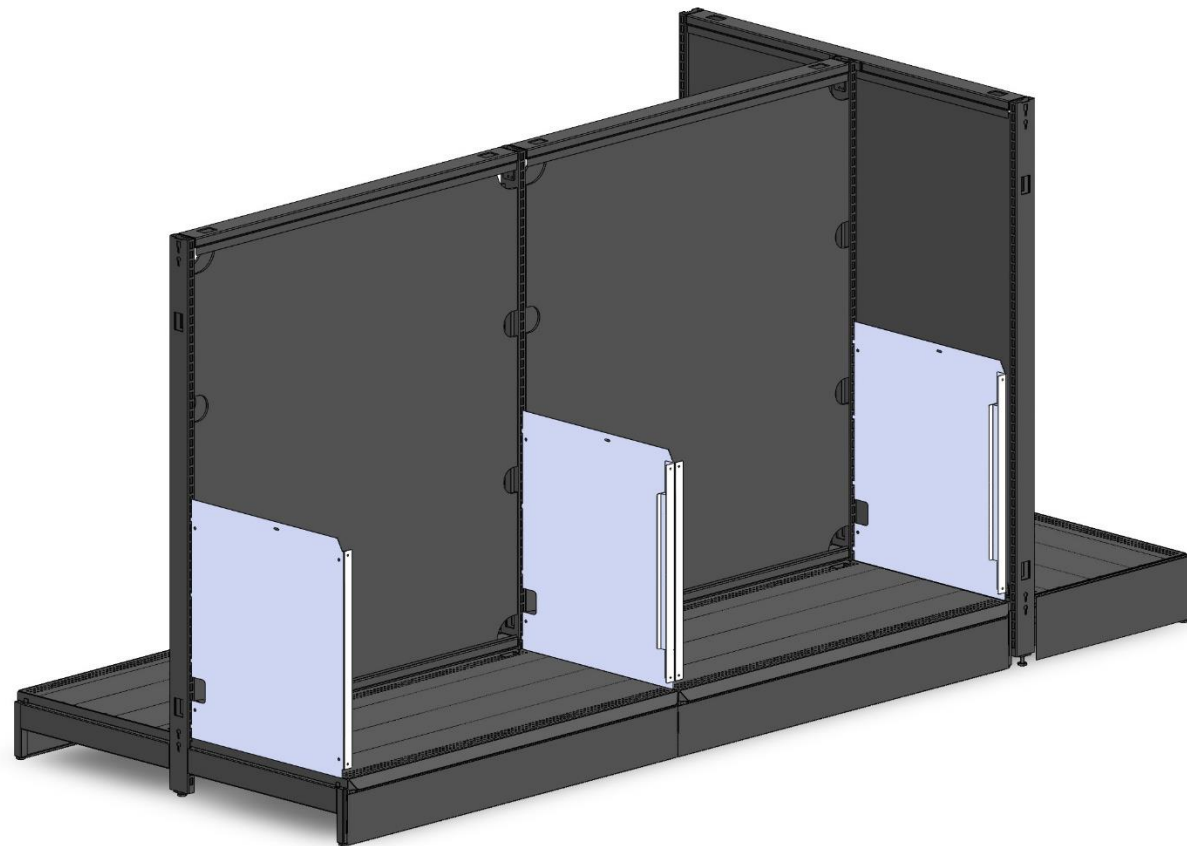
# Metal Security Cabinet – Double Cabinet Exploded

- This fixture is shipped knock down and the parts included are shown in the bill of materials
- Tools needed
  - Phillips head screwdriver
  - 11/32" wrench



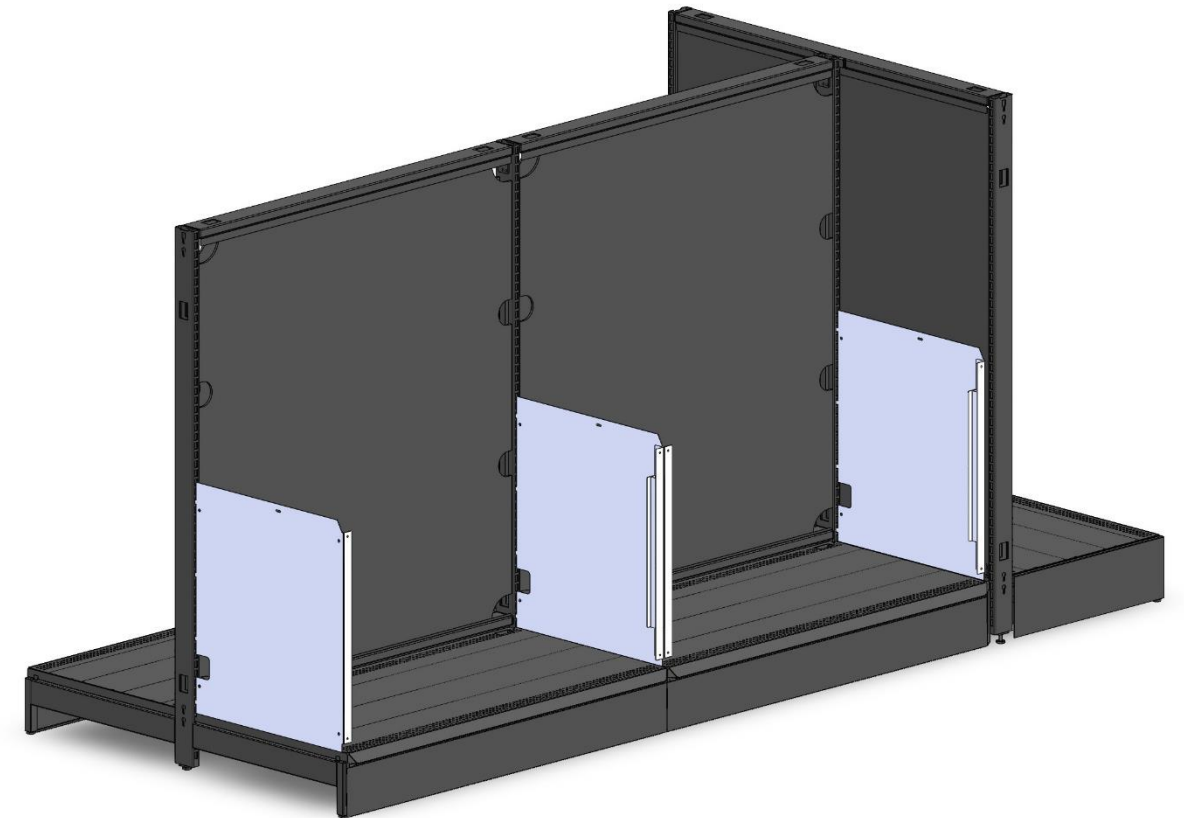
filename: Instructions.Assembly.skidrv

# Metal Security Cabinet – Double Cabinet Instructions



## Step 1

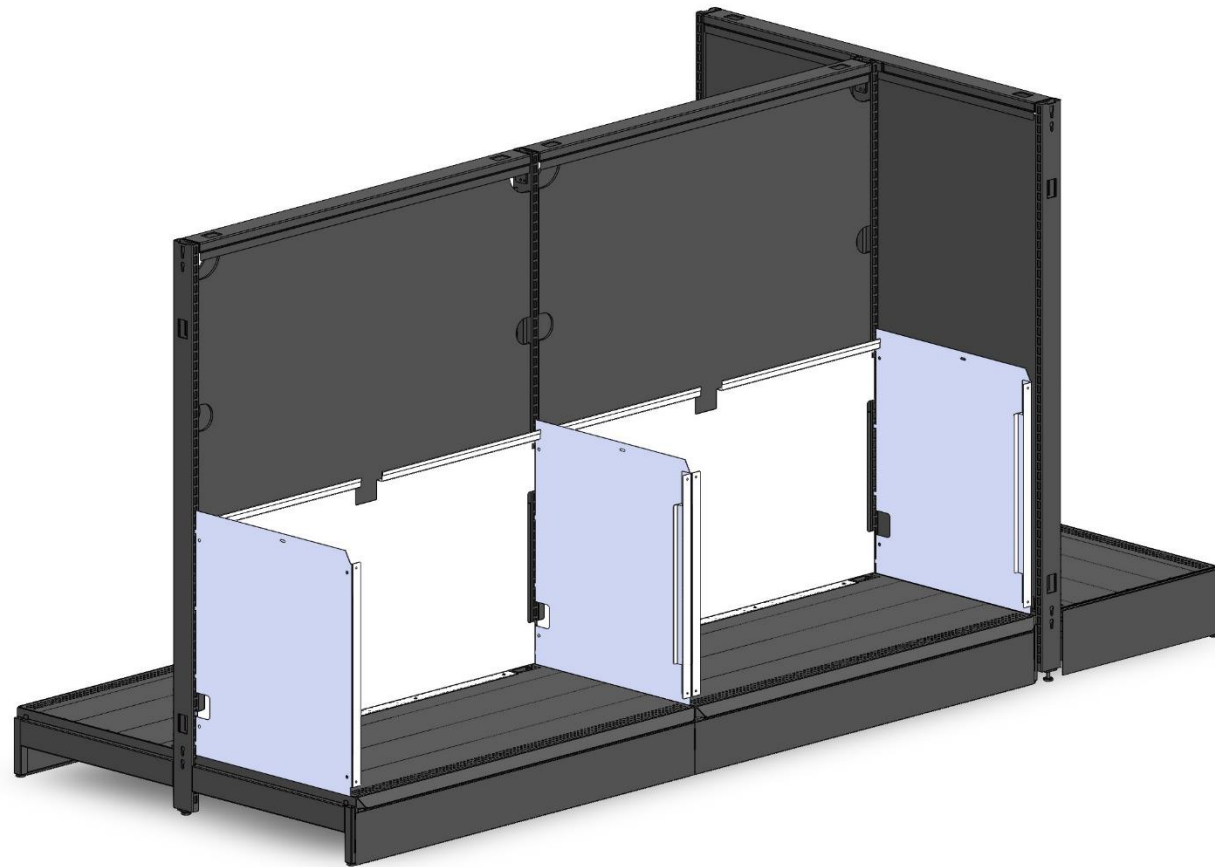
- Insert side panels into the uprights
- Center side panel is shared between the 2 cabinets



## Step 2

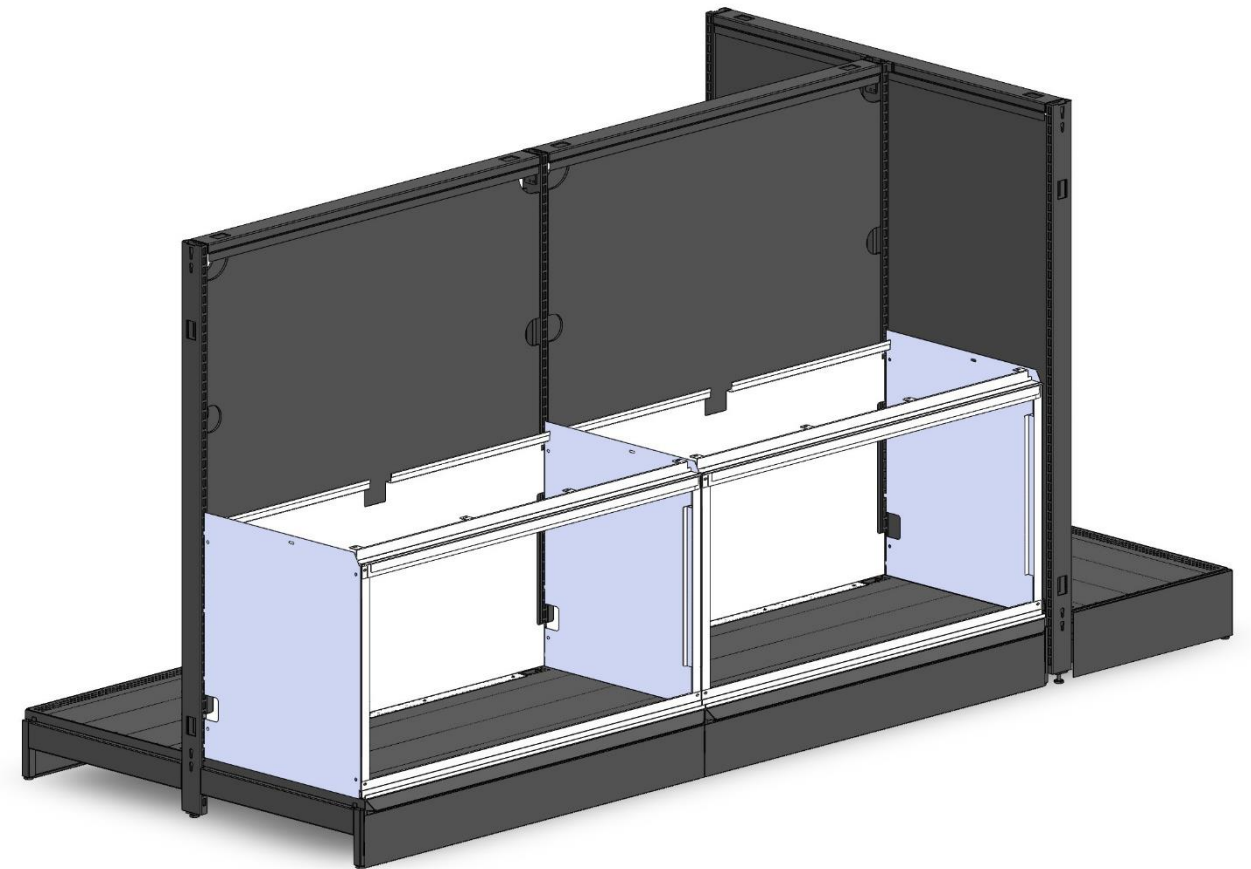
- Attach side L channels to the side panels using (2 per) #8-32 machine screws and nylon lock nuts. Do not fully tighten. Will fully tighten after the assembly is complete
- Center side panel will have 2 L channels attached

# Metal Security Cabinet – Double Cabinet Instructions



## Step 3

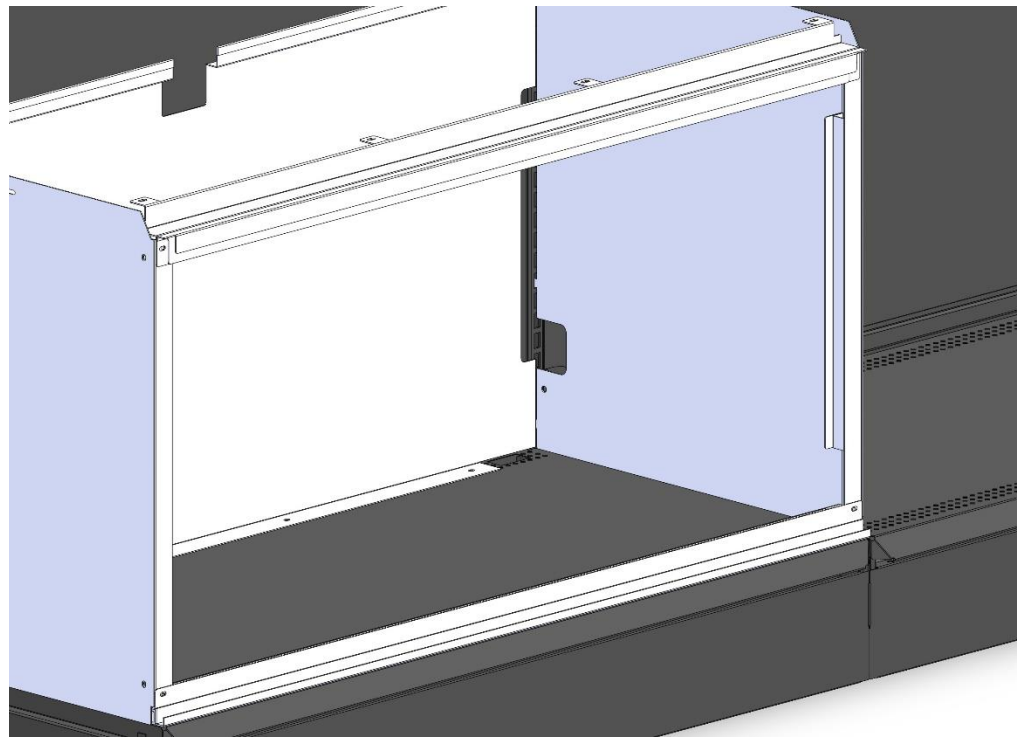
- Attach back panel into the uprights
- There will be a gap for adding the top shelf
- Attach to basedeck using supplied Christmas tree fasteners



## Step 4 (continued on next page)

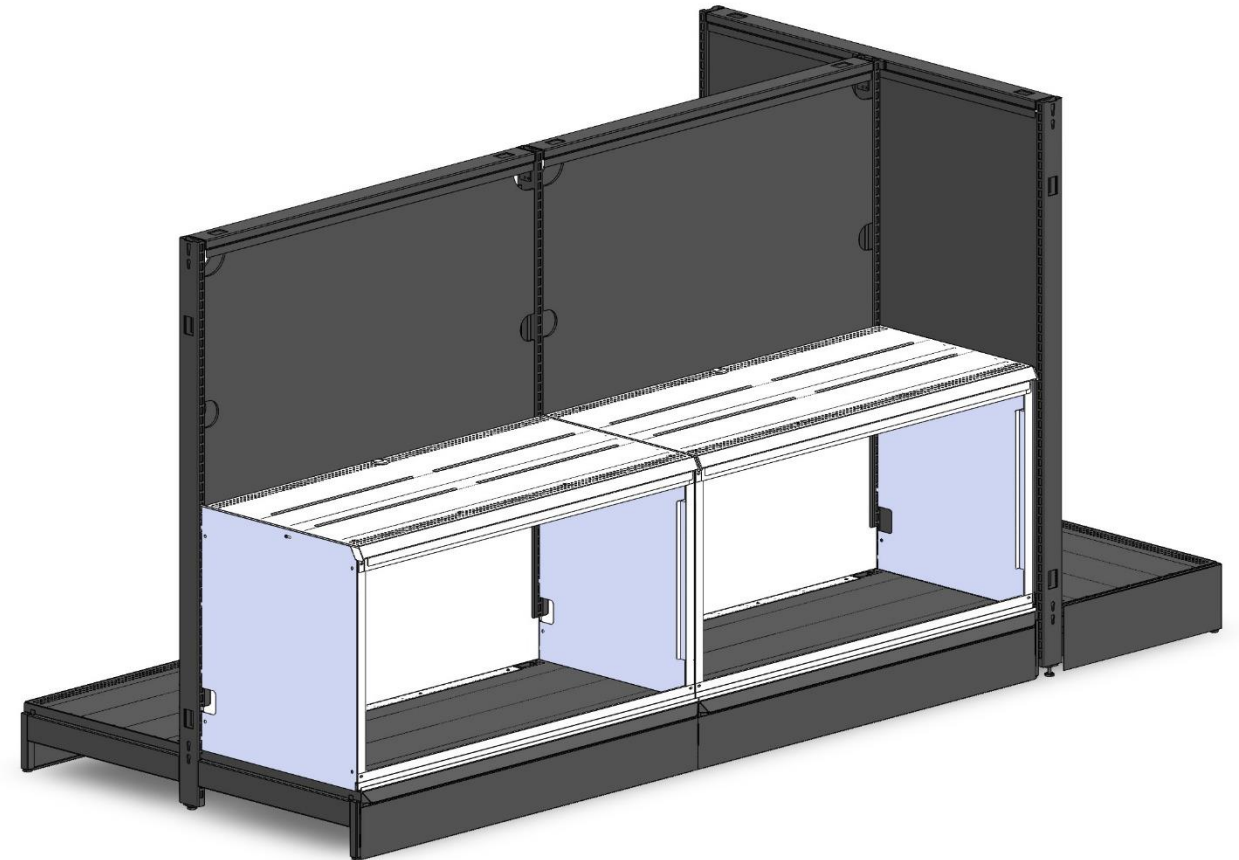
- Attach the upper track and lower track sub assemblies using (2 per) #8-32 machine screws and nylon lock nuts. Do not fully tighten. Will tighten after the assembly is complete.

# Metal Security Cabinet – Double Cabinet Instructions



Step 4 (continued from previous page)

- Upper and lower track assemblies are attached on the outside of the L channel sub assembly

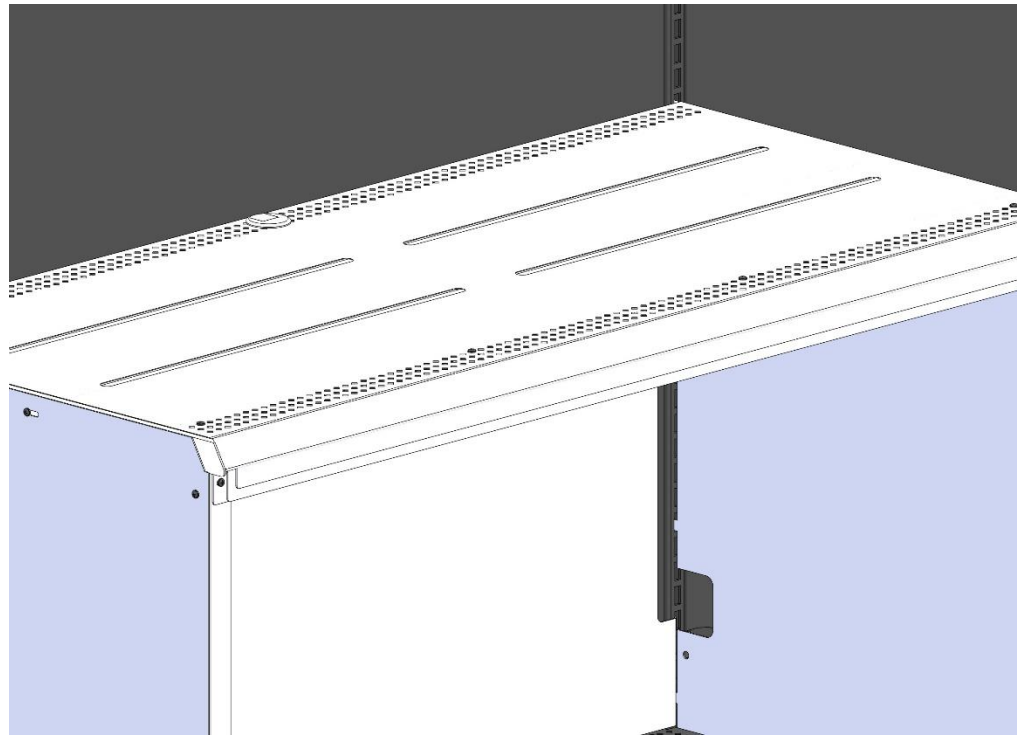


Step 5 (continued on the next page)

- Hook the 22" x 48" upper shelf into the slots of the uprights

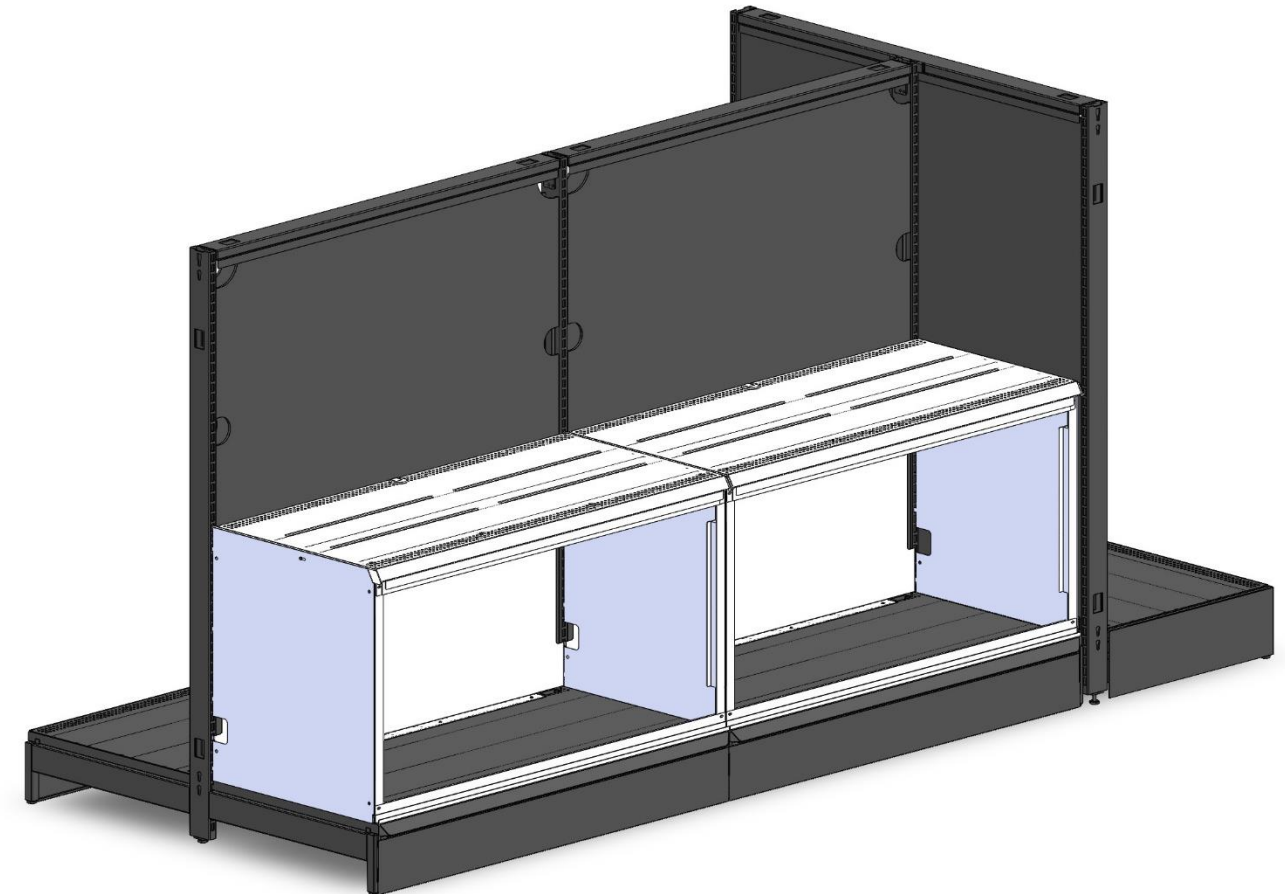


# Metal Security Cabinet – Double Cabinet Instructions



Step 5 (continued from previous page)

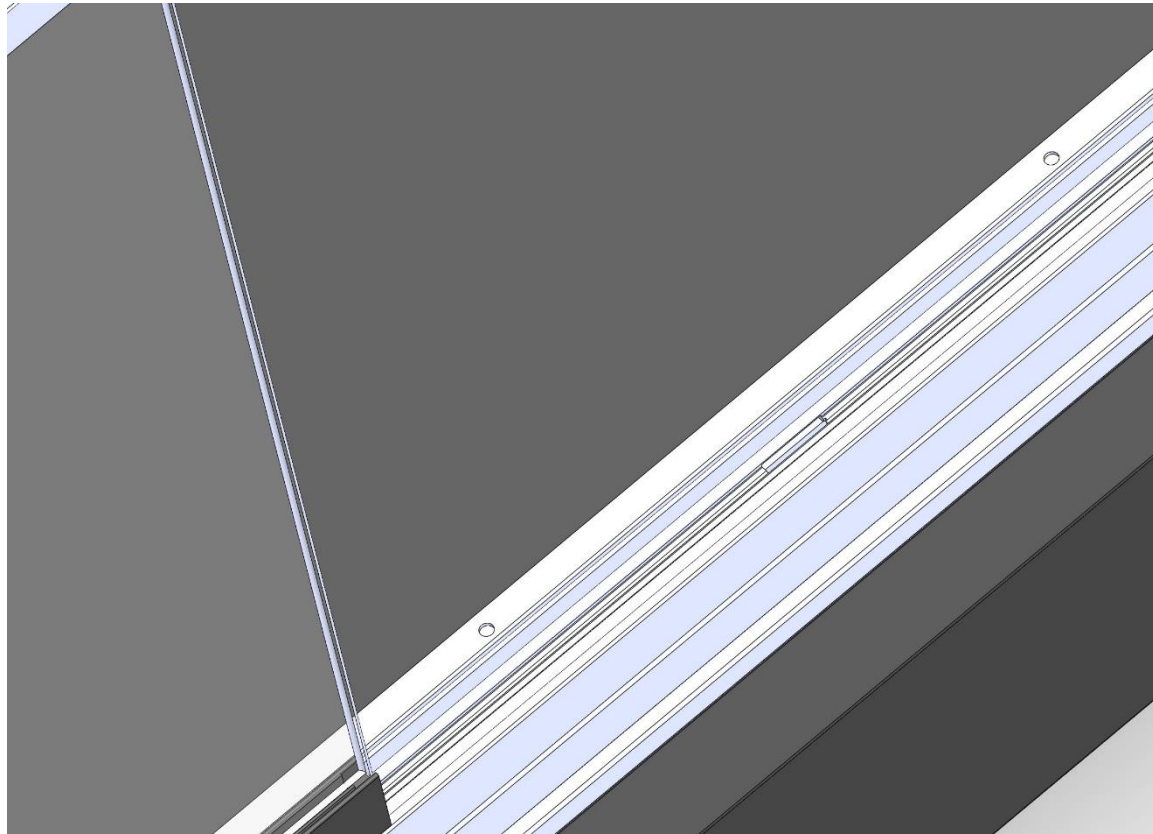
- Attach the side panel to the shelf using a #8-32 machine screw and nylon lock nut
- Attach the shelf thru the perf to the upper track sub assembly using (qty 4) #8-32 machine screws and nylon lock nuts



Step 6

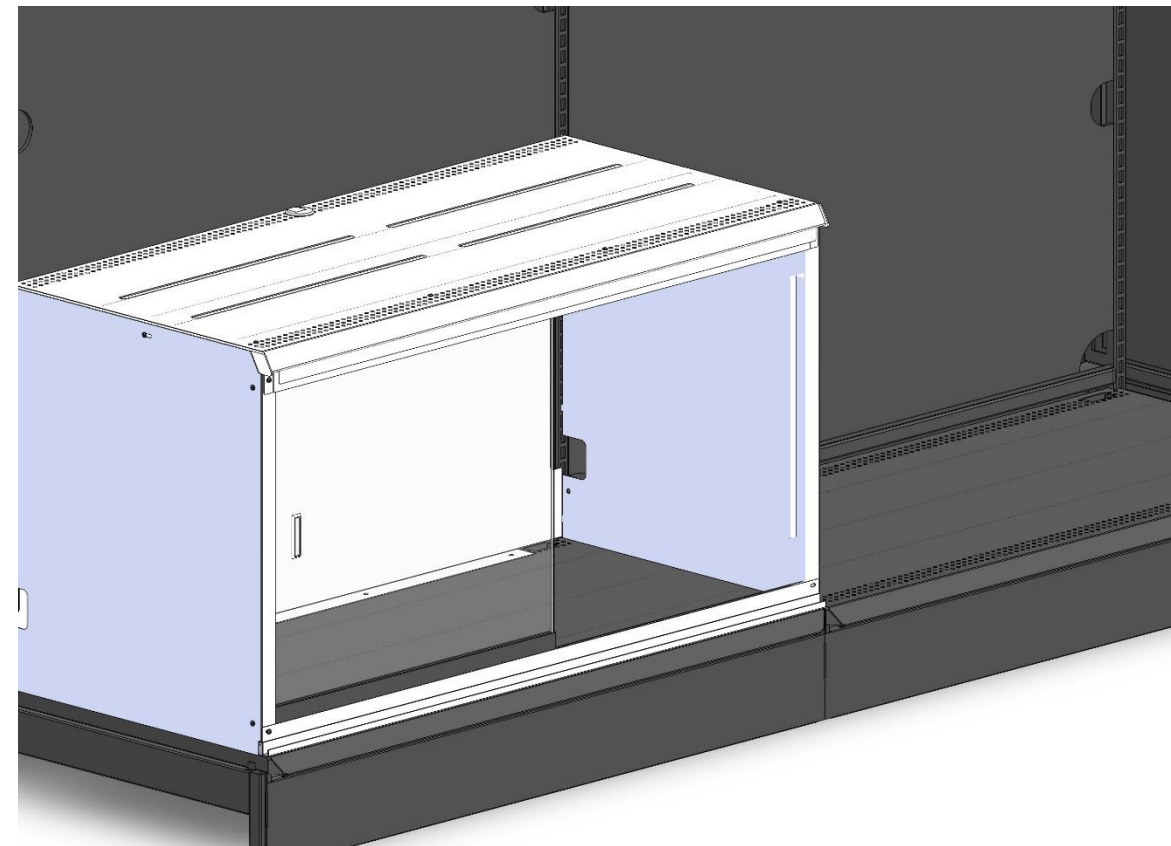
- Fully tighten all machine screws

# Metal Security Cabinet – Double Cabinet Instructions



## Glass Door Note

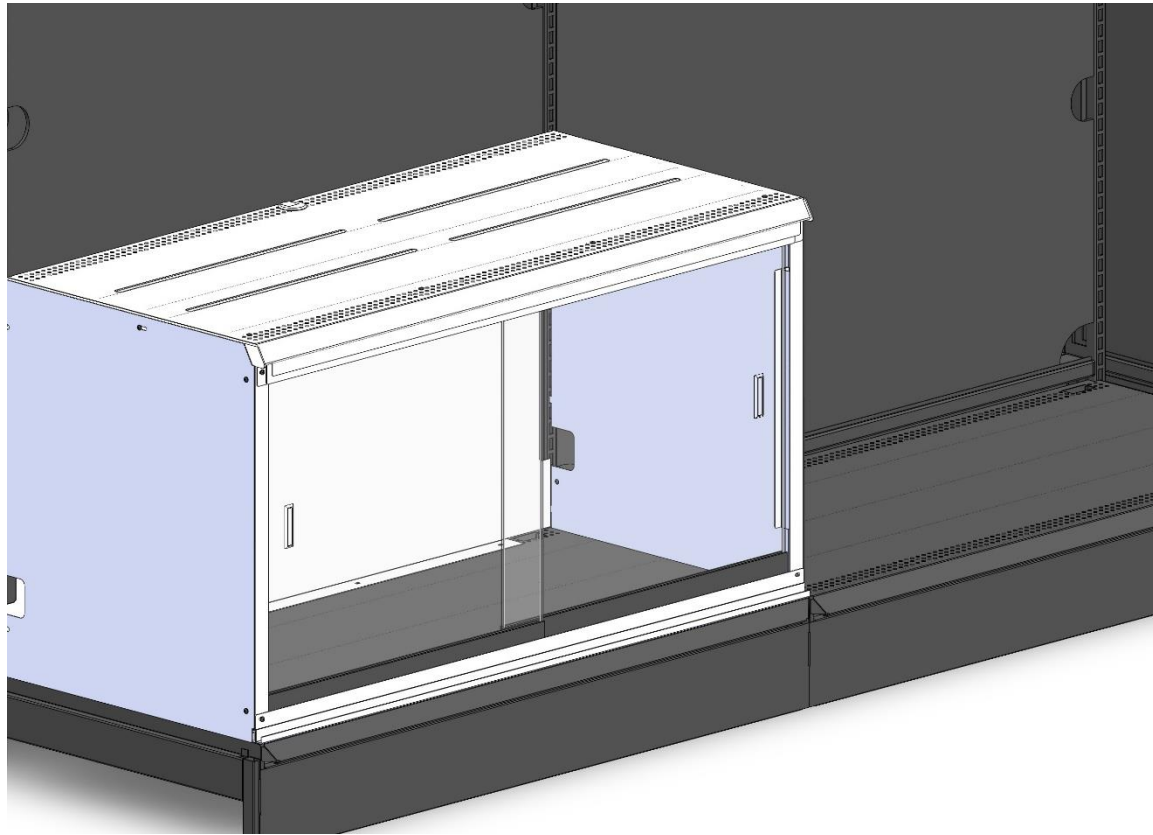
- Notches are cut into the lower track to lift / drop the glass doors onto the track
- Glass doors must be inserted from inside the cabinet



## Step 7

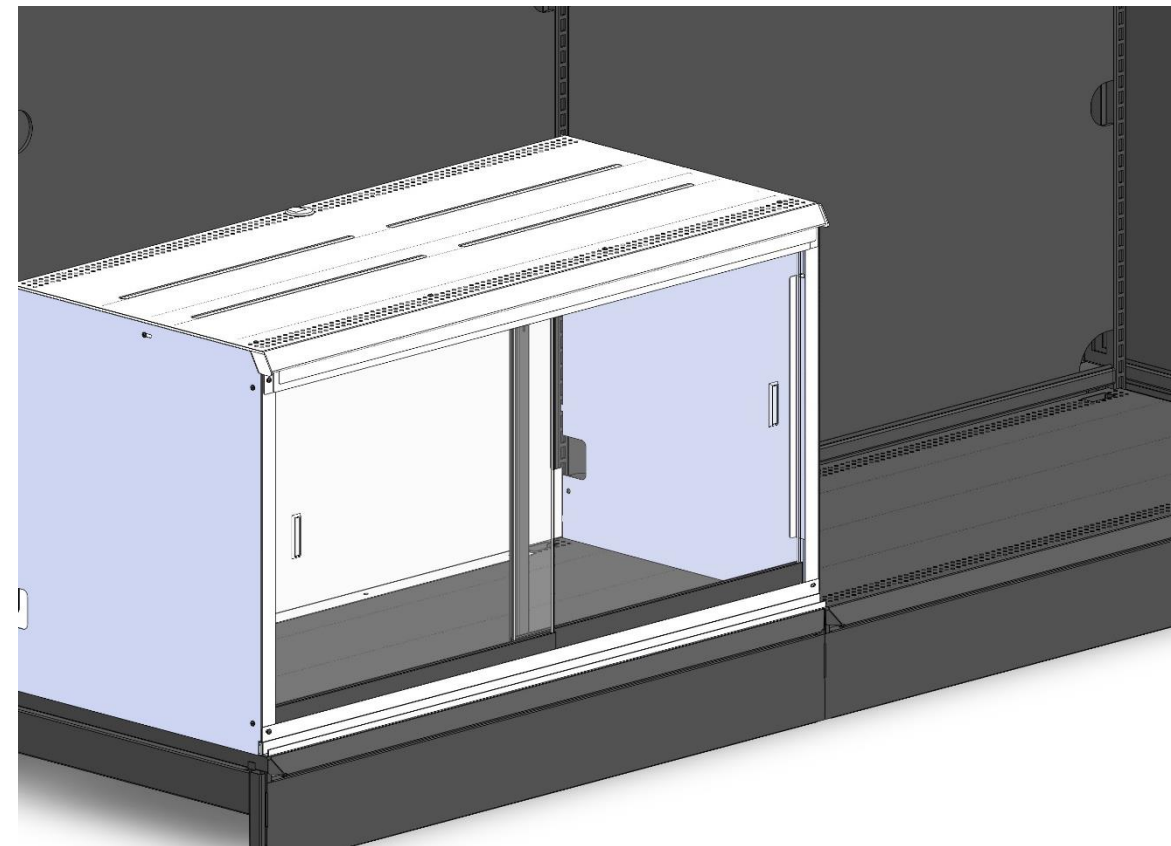
- Lift / Drop the left glass door assembly into the front track

# Metal Security Cabinet – Double Cabinet Instructions



## Step 8

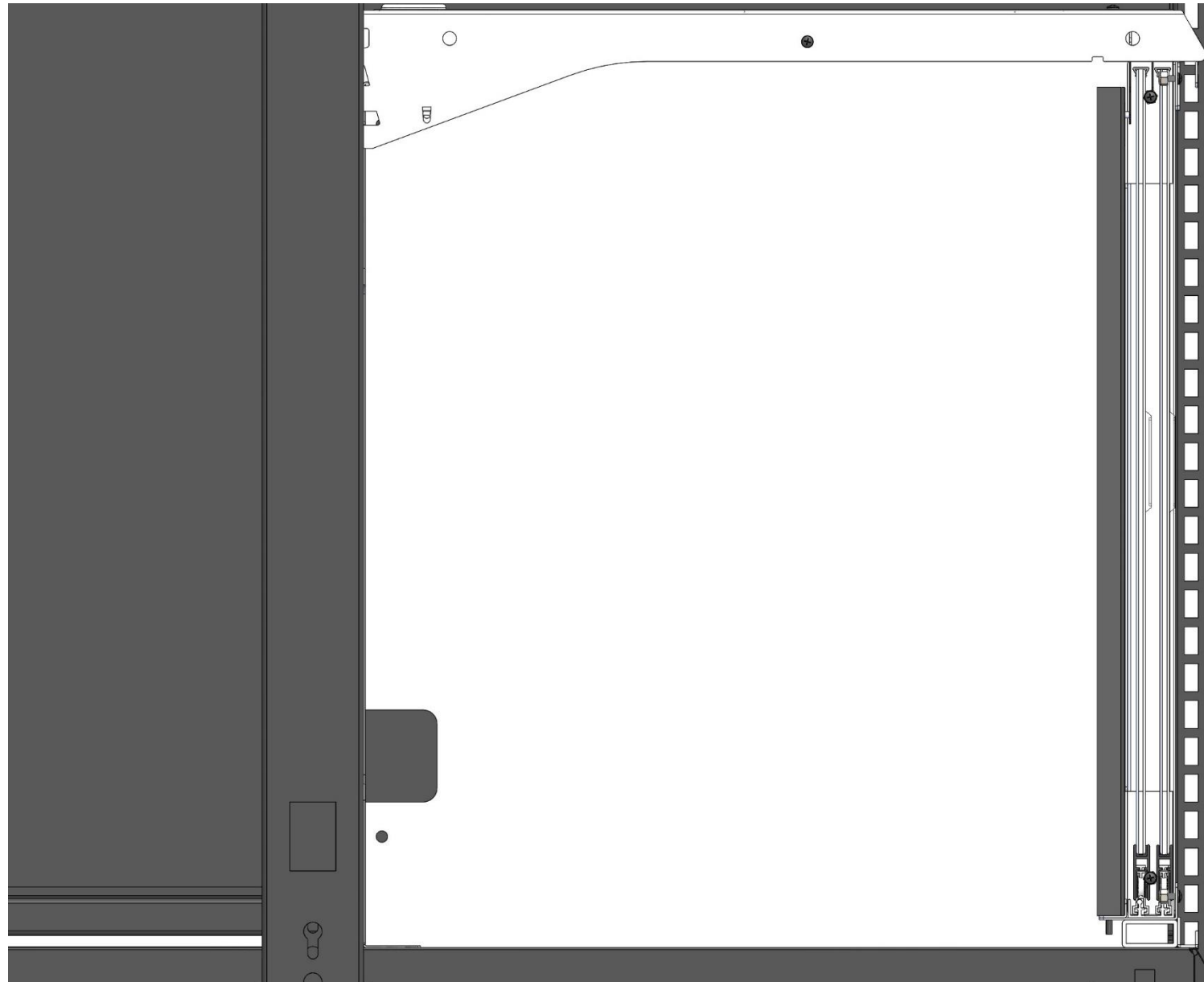
- Lift / Drop the right glass door assembly into the rear track



## Step 9 (continued on next page)

- Attach vertical U channel. Slot goes to the top and put the welded stud through the slot and attach using a #8-32 nut
- Place the lower stud thru the hole and attach using a #8-32 nut

# Metal Security Cabinet – Double Cabinet Instructions



Step 9 (continued from previous page)

- U channel goes in after the glass doors and is behind the doors

Step 10

- Attach the 18" shelf to the upright slots inside the cabinet
- Attach the merch bar with powerstrip to the upright slots inside the cabinet

**Thank you.**