

L.A. DARLING COMPANY

WALMART PART NO.
100550334

**ASSEMBLY
INSTRUCTIONS**

LAD. PART NO.
52393678

REV.
5

LAD. DESCRIPTION
END CAP DEEP 367836

Customer Service 1-800-682-5730

PAGE
1

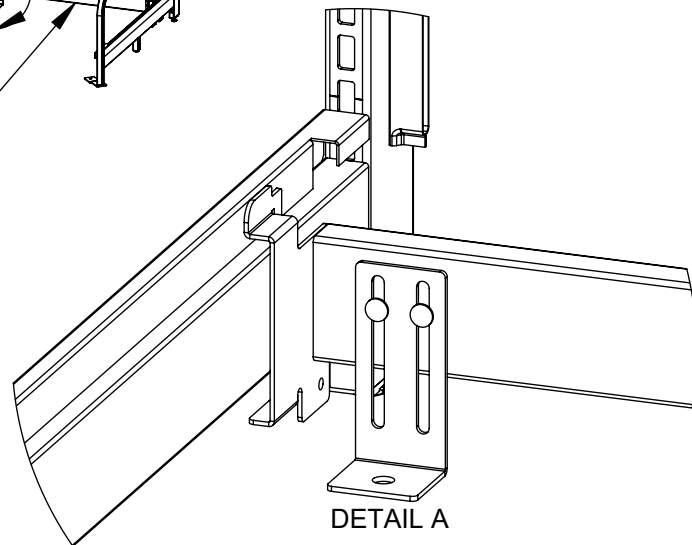
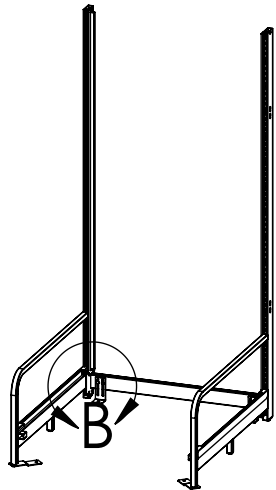
UPR HALF END LH 3678
P/N: 10226578

UPR HALF END RH 3678
P/N: 10226678

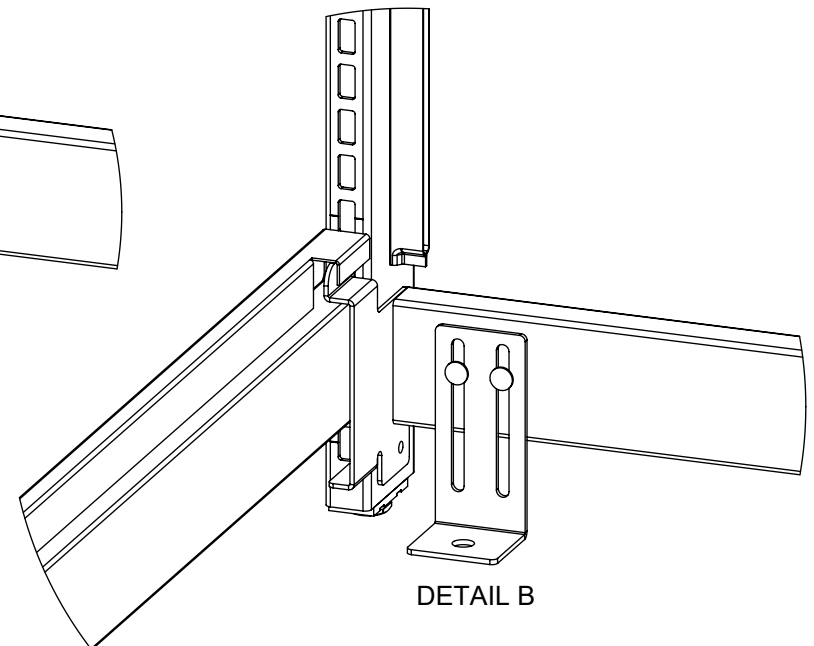
PALLET STOP
P/N: 52448736

STEP 1. Extend rear leveler on bottom of half uprights approximately 1/2".

STEP 2. Stand (1) left-hand end upright and (1) right-hand end upright. Install a pallet stop between the two uprights by placing bracket hooks into first slot above base leg (under filler) as shown in Detail A & B.



DETAIL A



DETAIL B

L.A. DARLING COMPANY

WALMART PART NO.
100550334

**ASSEMBLY
INSTRUCTIONS**

LAD. PART NO.
52393678

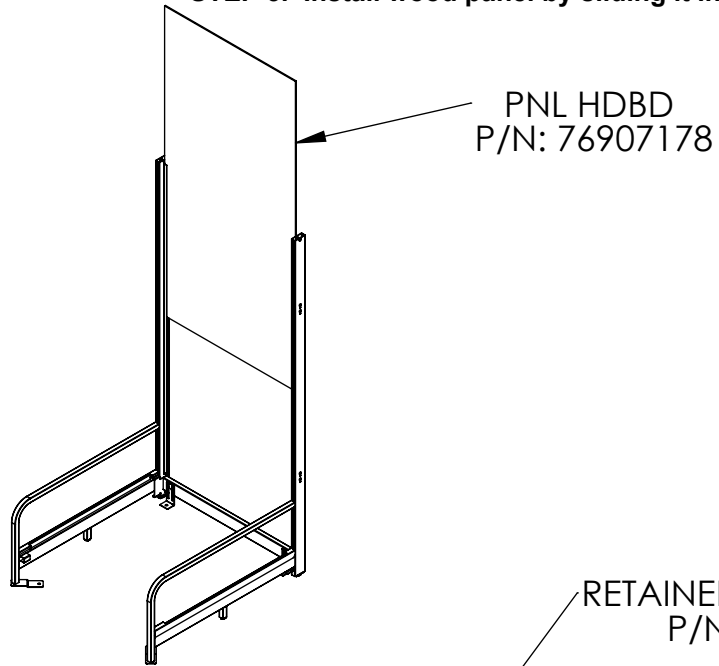
REV.
5

LAD. DESCRIPTION
END CAP DEEP 367836

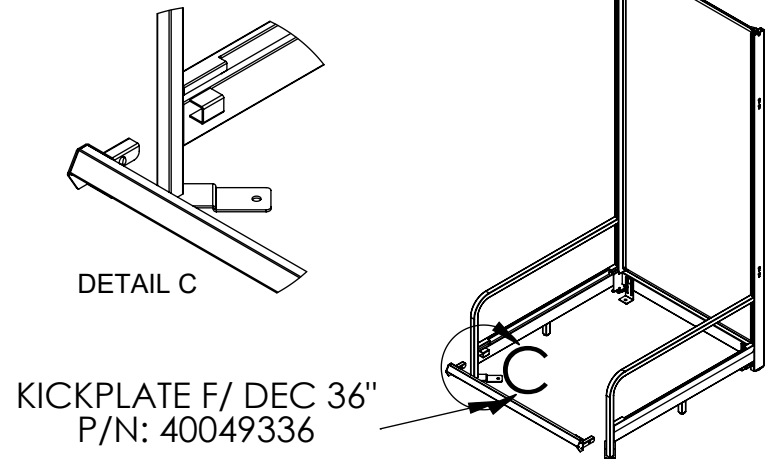
Customer Service 1-800-682-5730

PAGE
2

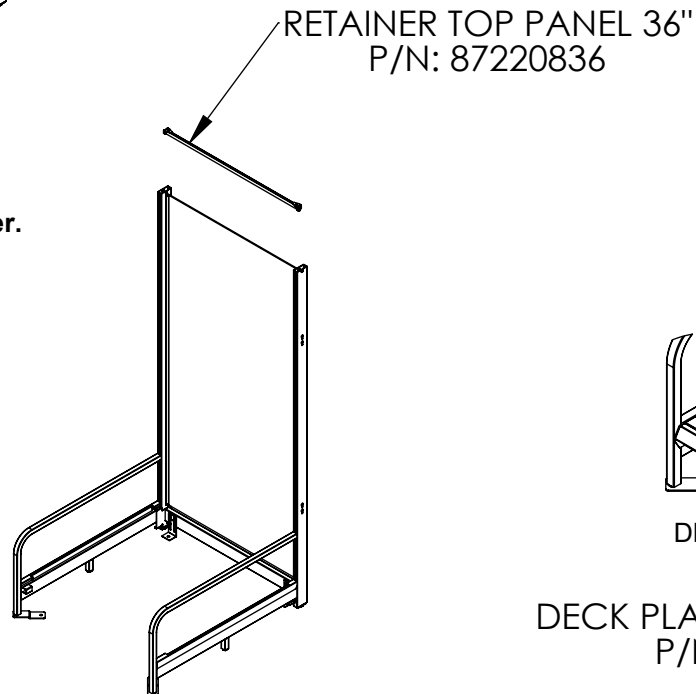
STEP 3. Install wood panel by sliding it in from the top.



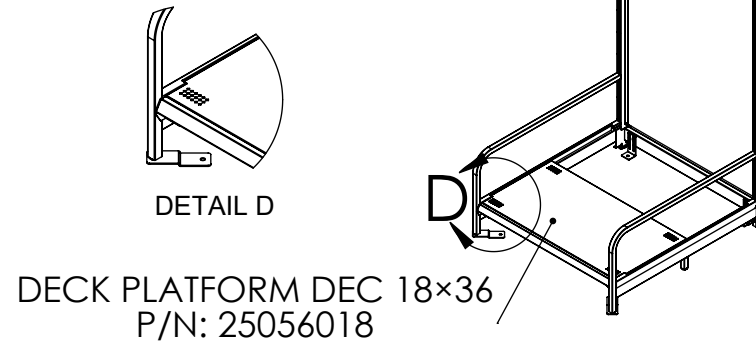
STEP 5. Install front kick plate.



STEP 4. Install top panel retainer.



STEP 6. Install front deck for the purpose of squaring up the unit. The corner notches go toward the front.



L.A. DARLING COMPANY

WALMART PART NO.
100550334

**ASSEMBLY
INSTRUCTIONS**

LAD. PART NO.
52393678

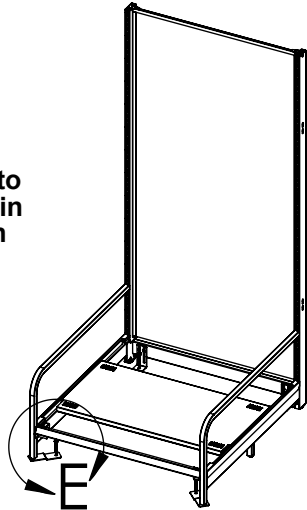
REV.
5

LAD. DESCRIPTION
END CAP DEEP 367836

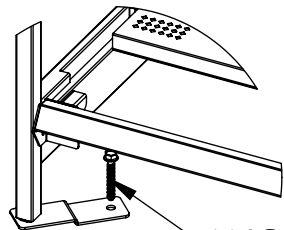
Customer Service 1-800-682-5730

PAGE
3

STEP 7. Slide deck back to allow room to install anchor bolts in four places using an approved drill bit.*



* Drill bit used should be a 3/8" Dewalt Wedge-Bit 01332-PWR or equivalent that meets the tolerance requirements of ANSI standard B212.15.

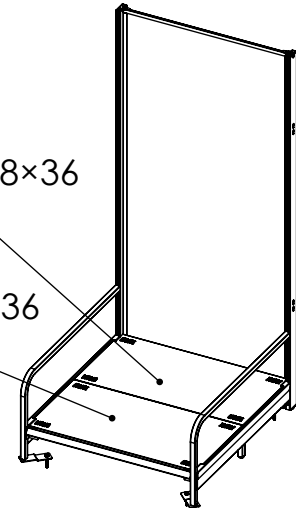


ANCHOR BOLT 3/8×2 1/2
 P/N: 537883212
 SAP# 100626799/
 100626820(50-PACK) *

*NOTE! Anchor bolts are not provided in this kit.

DECK PLATFORM DEC 18×36
 P/N: 25056018

DECK PLATFORM DEC 18×36
 P/N: 25056018



STEP 8. Slide front deck back in position and install rear deck (same part number) placing the notches toward the rear.

Install shelves in desired location.

This completes installation of LA Darling unit. Any sign holders should be installed per manufacturers specifications. See final page for part list.

L.A. DARLING COMPANY

WALMART PART NO.
100550334

**ASSEMBLY
 INSTRUCTIONS**

LAD. PART NO.
 52393678

REV.
 5

LAD. DESCRIPTION
 END CAP DEEP 367836

Customer Service 1-800-682-5730

PAGE
 4

LAD PART #	WM SAP #		DESCRIPTION	VENDOR
52393678C215	100550334	QTY	End Cap Deep 367836 With Side Rails	
<i>Consists of:</i>				
10226578C215	100554308	1	Upright Half L.H. 3678	LAD
10226678C215	100062819	1	Upright Half R.H. 3678	LAD
40049336C215	100554752	1	Kickplate For DEC 36"	LAD
87220836C215	100037894	1	Retainer Top Panel 36"	LAD
76907178W215	100550627	1	Panel Hardboard 34 11/16" x 71 1/8" Gray 2/S	LAD
52448736C215	100062810	1	Pallet Stop For Deep End Cap 36"	LAD
25056018C215	100505244	2	Deck Platform DEC 18" x 36"	LAD

L.A. DARLING COMPANY

WALMART PART NO.
100550334

**ASSEMBLY
INSTRUCTIONS**

LAD. PART NO.
52393678

REV.
5

LAD. DESCRIPTION
END CAP DEEP 367836

Customer Service 1-800-682-5730

PAGE
5