

L.A. DARLING COMPANY

WALMART PART NO.
100550353

**ASSEMBLY
INSTRUCTIONS**

LAD. PART NO.
52393878IS

REV.
5

LAD. DESCRIPTION
END CAP DEEP 487836

Customer Service 1-800-682-5730

PAGE
1

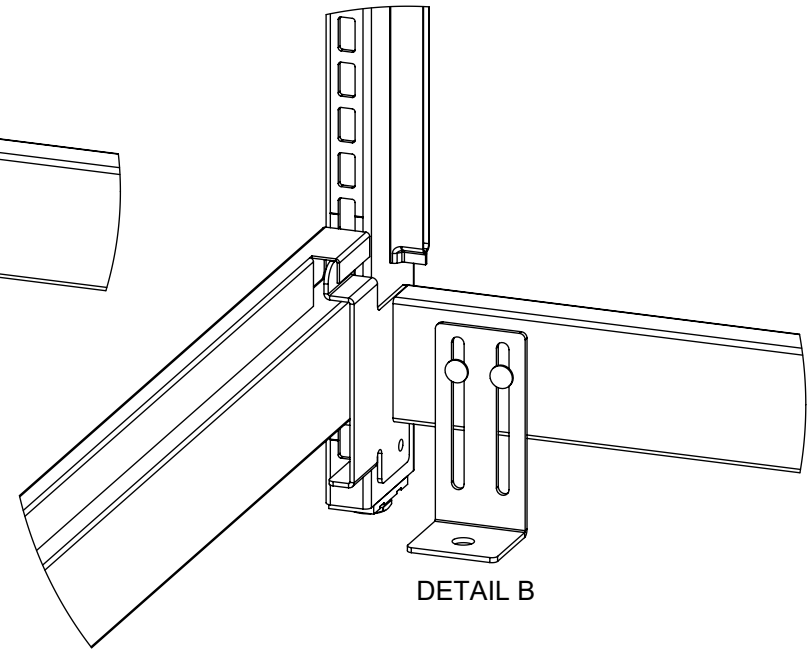
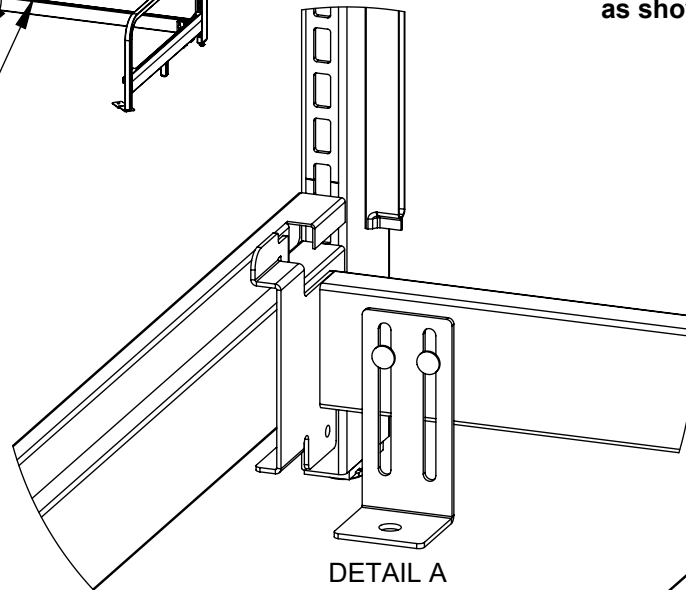
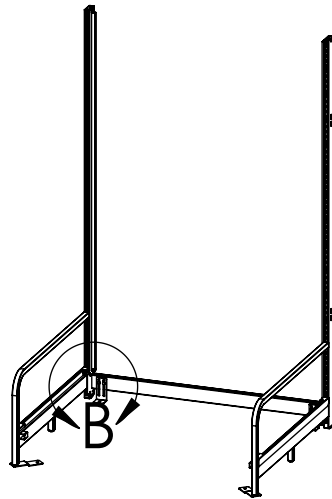
UPR HALF END LH 3678
P/N: 10226578

UPR HALF END RH 3678
P/N: 10226678

PALLET STOP 48"
P/N: 52448748

STEP 1. Extend rear leveler on bottom of half uprights approximately 1/2".

STEP 2. Stand (1) left-hand end upright and (1) right-hand end upright. Install a pallet stop between the two uprights by placing bracket hooks into first slot above base leg (under filler) as shown in Detail A & B.



L.A. DARLING COMPANY

WALMART PART NO.
100550353

**ASSEMBLY
INSTRUCTIONS**

LAD. PART NO.
52393878IS

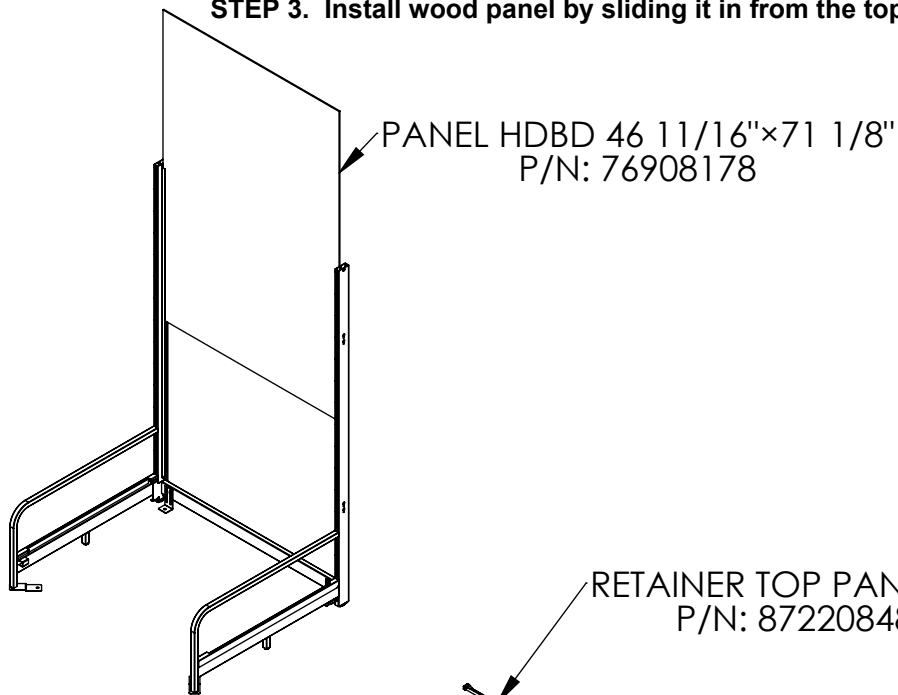
REV.
5

LAD. DESCRIPTION
END CAP DEEP 487836

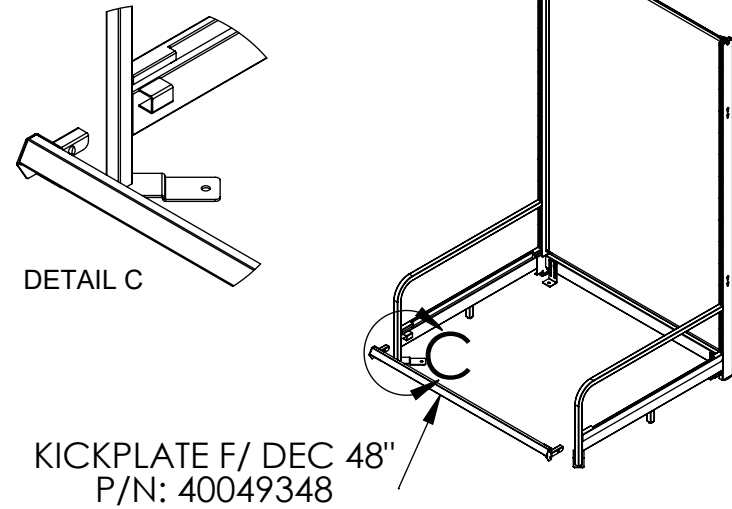
Customer Service 1-800-682-5730

PAGE
2

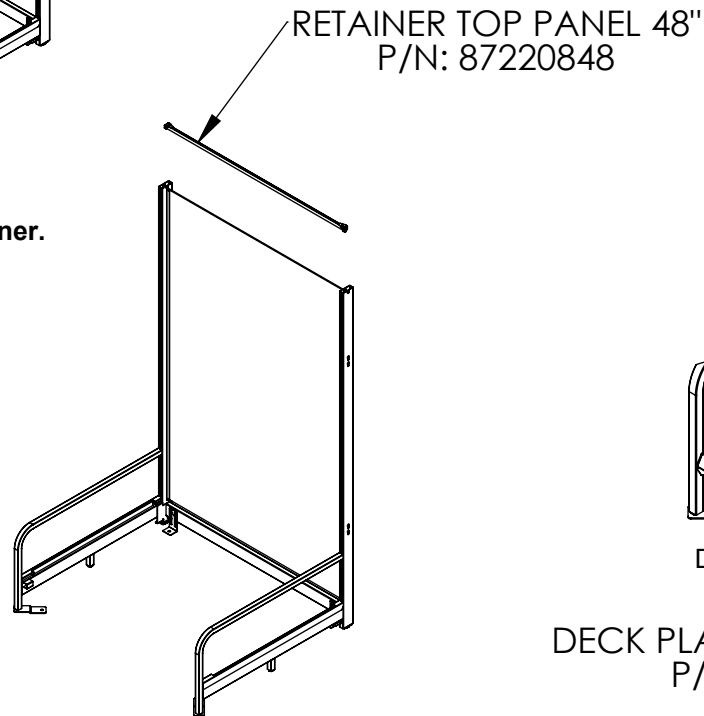
STEP 3. Install wood panel by sliding it in from the top.



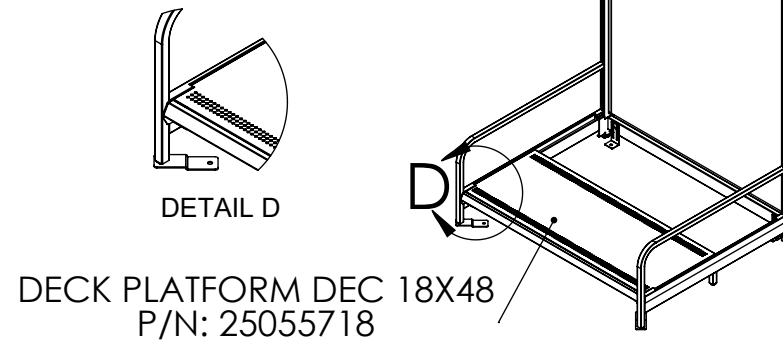
STEP 5. Install front kick plate.



STEP 4. Install top panel retainer.



STEP 6. Install front deck for the purpose of squaring up the unit. The corner notches go toward the front.



L.A. DARLING COMPANY

WALMART PART NO.
100550353

**ASSEMBLY
INSTRUCTIONS**

LAD. PART NO.
52393878IS

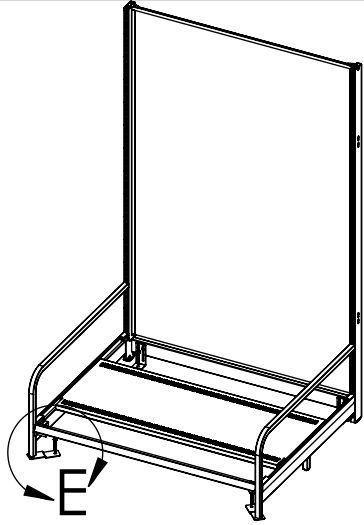
REV.
5

LAD. DESCRIPTION
END CAP DEEP 487836

Customer Service 1-800-682-5730

PAGE
3

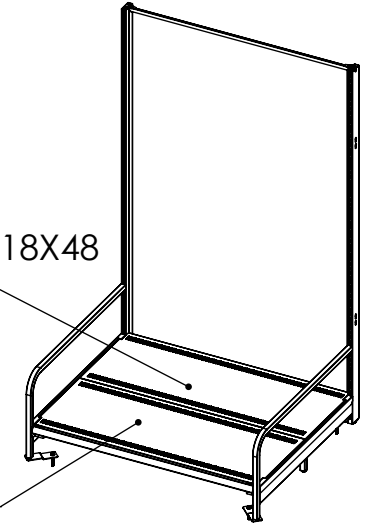
STEP 7. Slide deck back to allow room to install anchor bolts in four places using an approved drill bit.*



* Drill bit used should be a 3/8" Dewalt Wedge-Bit 01332-PWR or equivalent that meets the tolerance requirements of ANSI standard B212.15.

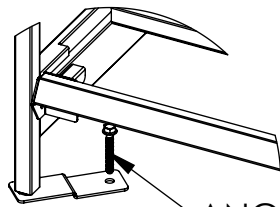
DECK PLATFORM DEC 18X48
P/N: 25055718

DECK PLATFORM DEC 18X48
P/N: 25055718



STEP 8. Slide front deck back in position and install rear deck (same part number) placing the notches toward the rear.

Install shelves in desired location.



ANCHOR BOLT 3/8×2 1/2
P/N: 537883212
SAP# 100626799/
100626820(50-PACK) *

*NOTE! Anchor bolts are not provided in this kit.

This completes installation of LA Darling unit. Any sign holders should be installed per manufacturers specifications. See final page for part list.

L.A. DARLING COMPANY

WALMART PART NO.
100550353

**ASSEMBLY
INSTRUCTIONS**

LAD. PART NO.
52393878IS

REV.
5

LAD. DESCRIPTION
END CAP DEEP 487836

Customer Service 1-800-682-5730

PAGE
4

LAD PART #	WM SAP #		DESCRIPTION
52393878C215	100550353	QTY	End Cap Deep 487836 With Side Rails
<i>Consists of:</i>			
10226578C215	100554308	1	Upright Half L.H. 3678
10226678C215	100062819	1	Upright Half R.H. 3678
40049348C215	100554770	1	Kickplate For DEC 48"
87220848C215	100037898	1	Retainer Top Panel 48"
76908178W215	100552730	1	Panel Hardboard 46 11/16" x 71 1/8" Gray 2/S
52448748C215	100063572	1	Pallet Stop For Deep End Cap 48"
25055718C215	100053520	2	Deck 18" x 48"

L.A. DARLING COMPANY

WALMART PART NO.
100550353

**ASSEMBLY
INSTRUCTIONS**

LAD. PART NO.
52393878IS

REV.
5

LAD. DESCRIPTION
END CAP DEEP 487836

Customer Service 1-800-682-5730

PAGE
5