

L.A. DARLING COMPANY

WALMART PART NO.
100550363

**ASSEMBLY
INSTRUCTIONS**

LAD. PART NO.
52394078

REV.
5

LAD. DESCRIPTION
END CAP DEEP 727836

Customer Service 1-800-682-5730

PAGE
1

UPR HALF END LH 3678
P/N: 10226578

UPR HALF INTR HD
P/N: 10226478

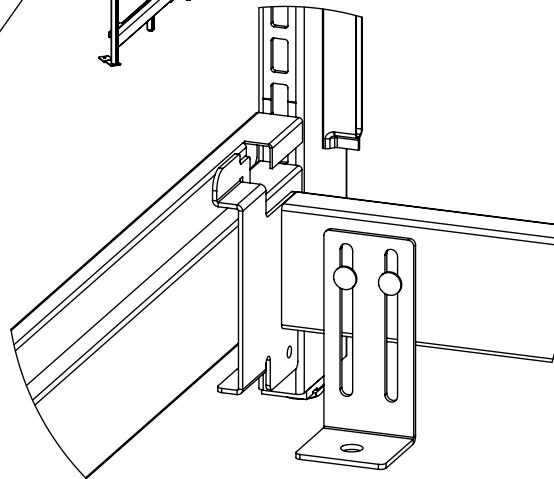
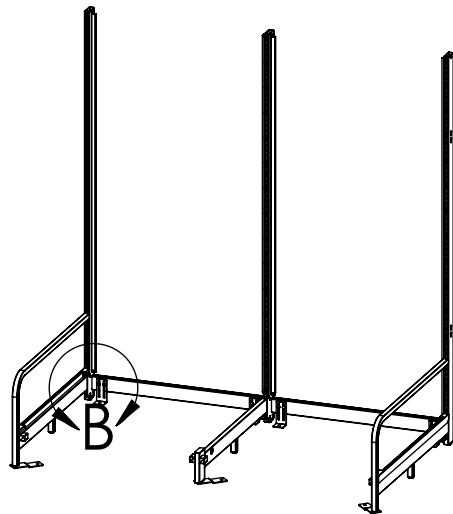
UPR HALF END RH 3678
P/N: 10226678

PALLET STOP
P/N: 52448736

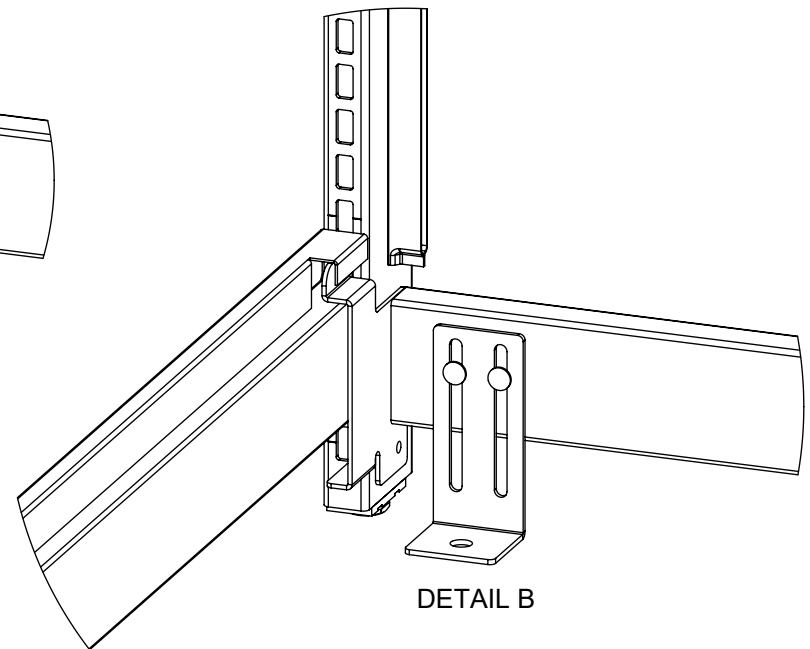
PALLET STOP
P/N: 52448736

STEP 1. Extend rear leveler on bottom of half uprights approximately 1/2".

STEP 2. Starting on the left-hand of the unit, stand (1) left-hand end upright and (1) intermediate upright. Install a pallet stop between the two uprights by placing bracket hooks into first slot above base leg (under filler) as shown in Detail A & B.



DETAIL A



DETAIL B

L.A. DARLING COMPANY

WALMART PART NO.
100550363

**ASSEMBLY
INSTRUCTIONS**

LAD. PART NO.
52394078

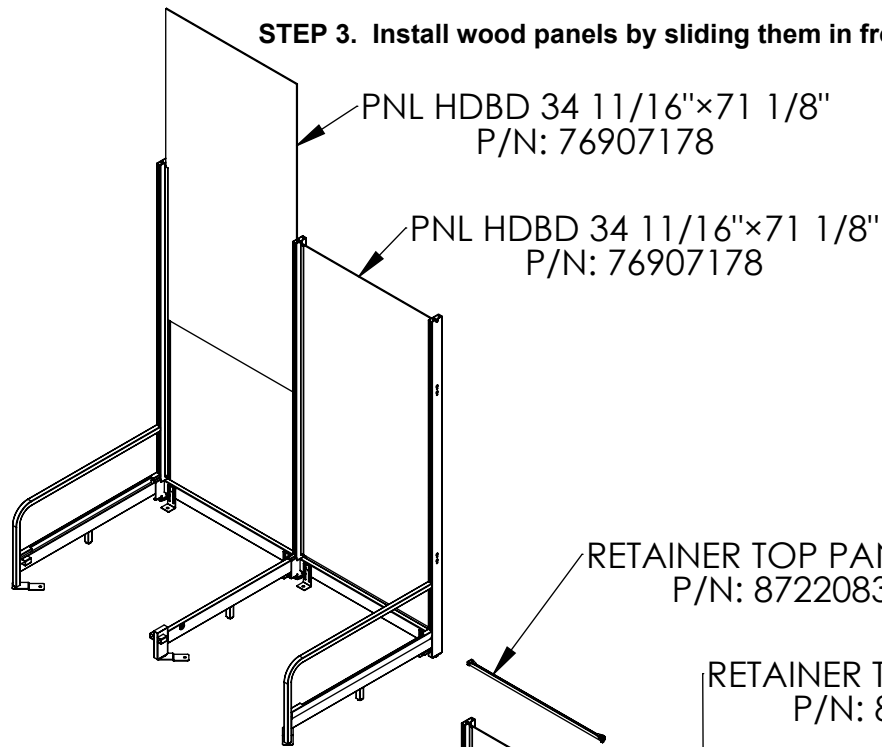
REV.
5

LAD. DESCRIPTION
END CAP DEEP 727836

Customer Service 1-800-682-5730

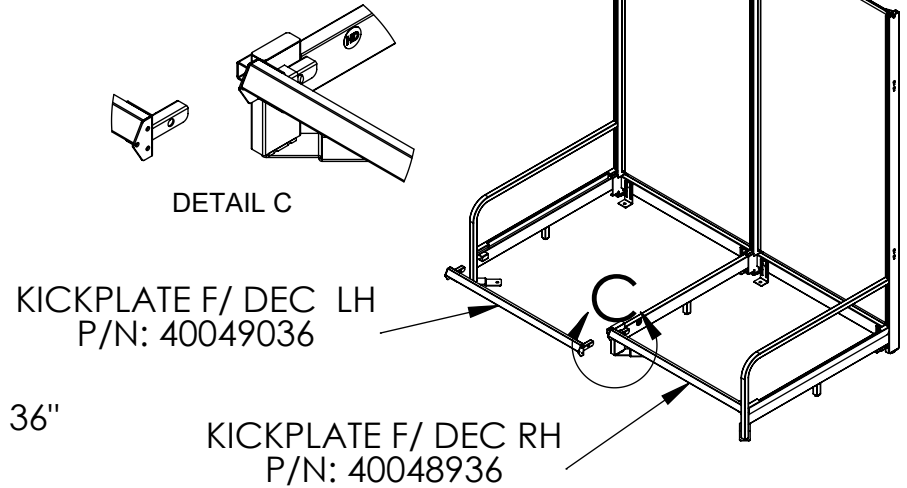
PAGE
2

STEP 3. Install wood panels by sliding them in from the top.

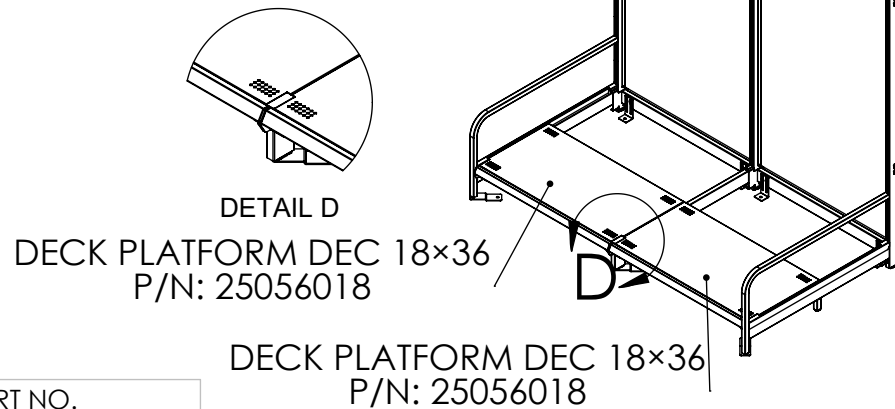


STEP 4. Install top panel retainers.

STEP 5. Install front kick plates, right-hand and left-hand.



STEP 6. Install front decks for the purpose of squaring up the unit. The corner notches go toward the front.



L.A. DARLING COMPANY

WALMART PART NO.
100550363

**ASSEMBLY
INSTRUCTIONS**

LAD. PART NO.
52394078

REV.
5

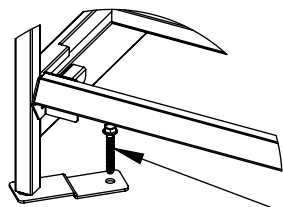
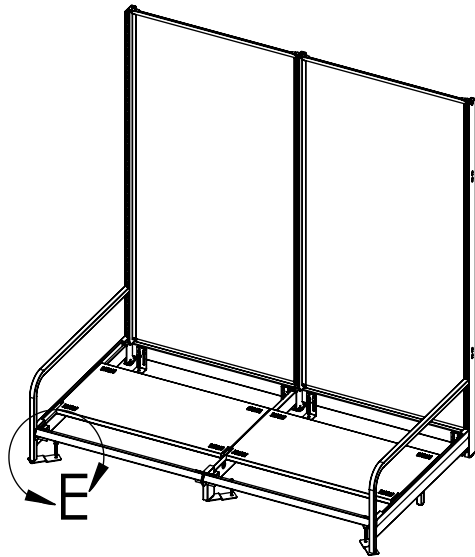
LAD. DESCRIPTION
END CAP DEEP 727836

Customer Service 1-800-682-5730

PAGE
3

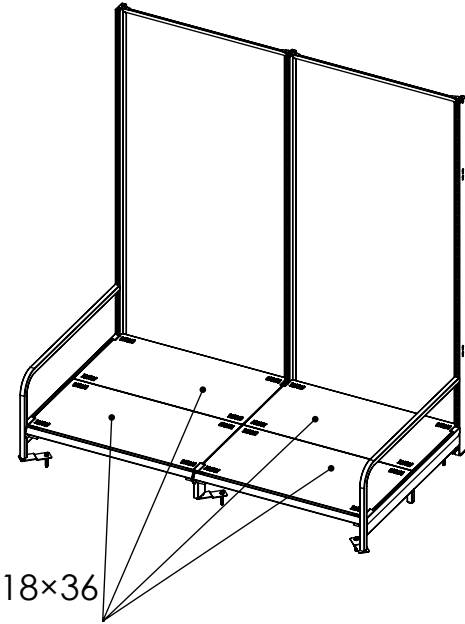
STEP 7. Slide decks back to allow room to install anchor bolts in seven places.

* Drill bit used should be a 3/8" Dewalt Wedge-Bit 01332-PWR or equivalent that meets the tolerance requirements of ANSI standard B212.15.



DETAIL E

ANCHOR BOLT 3/8x2 1/2
 P/N: 537883212
 SAP#: 100626799 / 100626820 (50 -PACK)*



DECK PLATFORM DEC 18x36
 P/N: 25056018

STEP 8. Install shelves in desired locations.

This completes the installation of the end cap.

*NOTE! Anchor bolts are not provided in this kit.

L.A. DARLING COMPANY

WALMART PART NO.
100550363

**ASSEMBLY
 INSTRUCTIONS**

LAD. PART NO.
 52394078

REV.
 5

LAD. DESCRIPTION
 END CAP DEEP 727836

Customer Service 1-800-682-5730

PAGE
 4

LAD #: 52394078C215 WM SAP #: 100550363 END CAP DEEP 727836

ITEM	QTY	WM SAP #	LAD #	DESCRIPTION
1	1	100554308	10226578	UPR HALF END LH 3678
2	2	100062810	52448736	PALLET STOP
3	1		10226478	UPR HALF INTR HD
4	1	100062819	10226678	UPR HALF END RH 3678
5	2	100552730	76907178	PNL HDBD 34 11/16"×71 1/8"
6	2	100037894	87220836	RETAINER TOP PANEL 36"
7	1	100507547	40049036	KICKPLATE F/ DEC LH
8	4	100505244	25056018	DECK PLATFORM DEC 18×36
9	1	NA	40048936	KICKPLATE F/ DEC RH

L.A. DARLING COMPANY

WALMART PART NO.
100550363

**ASSEMBLY
INSTRUCTIONS**

LAD. PART NO.
52394078

REV.
5

LAD. DESCRIPTION
END CAP DEEP 727836

Customer Service 1-800-682-5730

PAGE
5