

**L.A. DARLING COMPANY**

WALMART PART NO.  
**100550364**

**ASSEMBLY  
INSTRUCTIONS**

LAD. PART NO.  
52394378

REV.  
5

LAD. DESCRIPTION  
END CAP DEEP 727848

Customer Service 1-800-682-5730

PAGE  
1

UPR HALF END LH 4878  
P/N: 10223078

UPR HALF INTR HD 4878  
P/N: 10223178

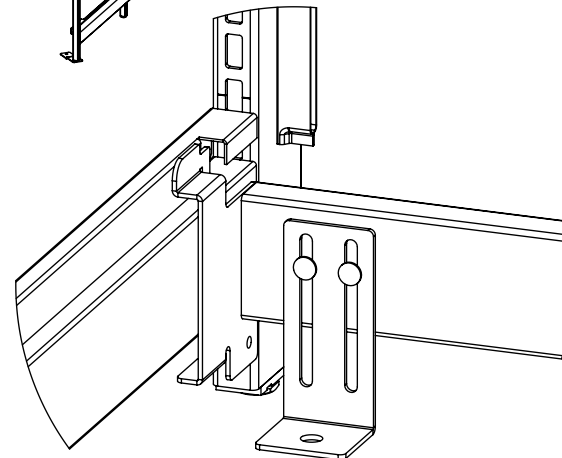
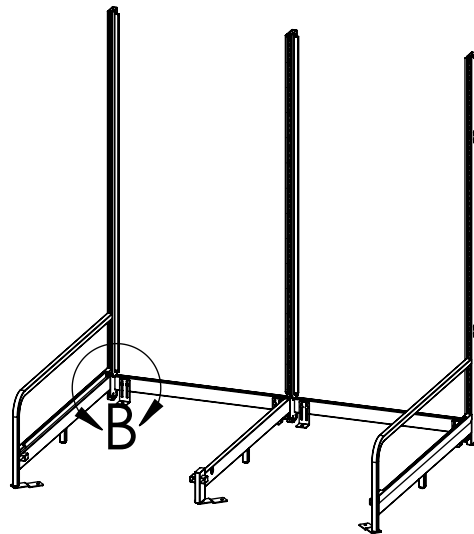
UPR HALF END RH 4878  
P/N: 10222978

PALLET STOP  
P/N: 52448736

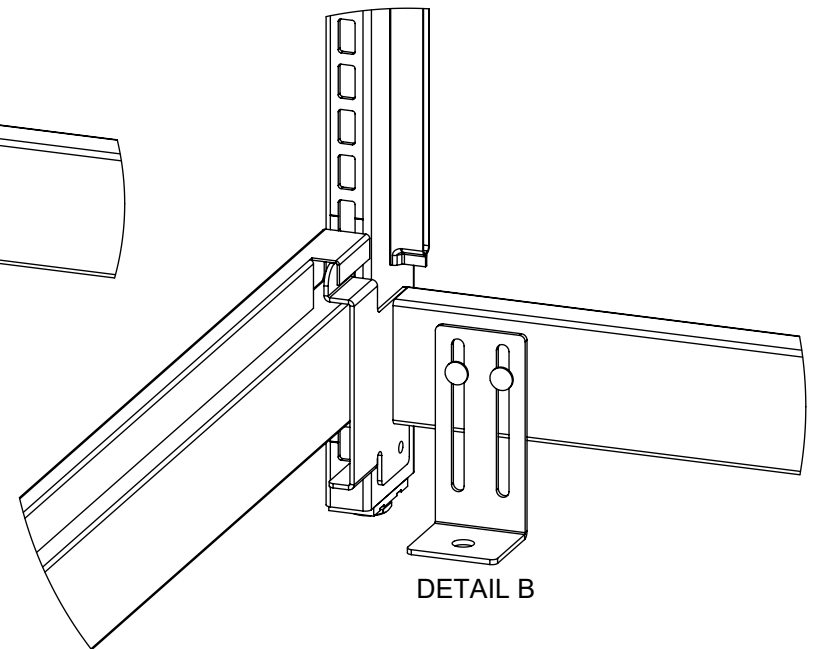
PALLET STOP  
P/N: 52448736

**STEP 1.** Extend rear leveler on bottom of half uprights approximately 1/2".

**STEP 2.** Starting on the left-hand of the unit, stand (1) left-hand end upright and (1) intermediate upright. Install a pallet stop between the two uprights by placing bracket hooks into first slot above base leg (under filler) as shown in Detail A & B.



DETAIL A



DETAIL B

**L.A. DARLING COMPANY**

WALMART PART NO.  
**100550364**

**ASSEMBLY  
INSTRUCTIONS**

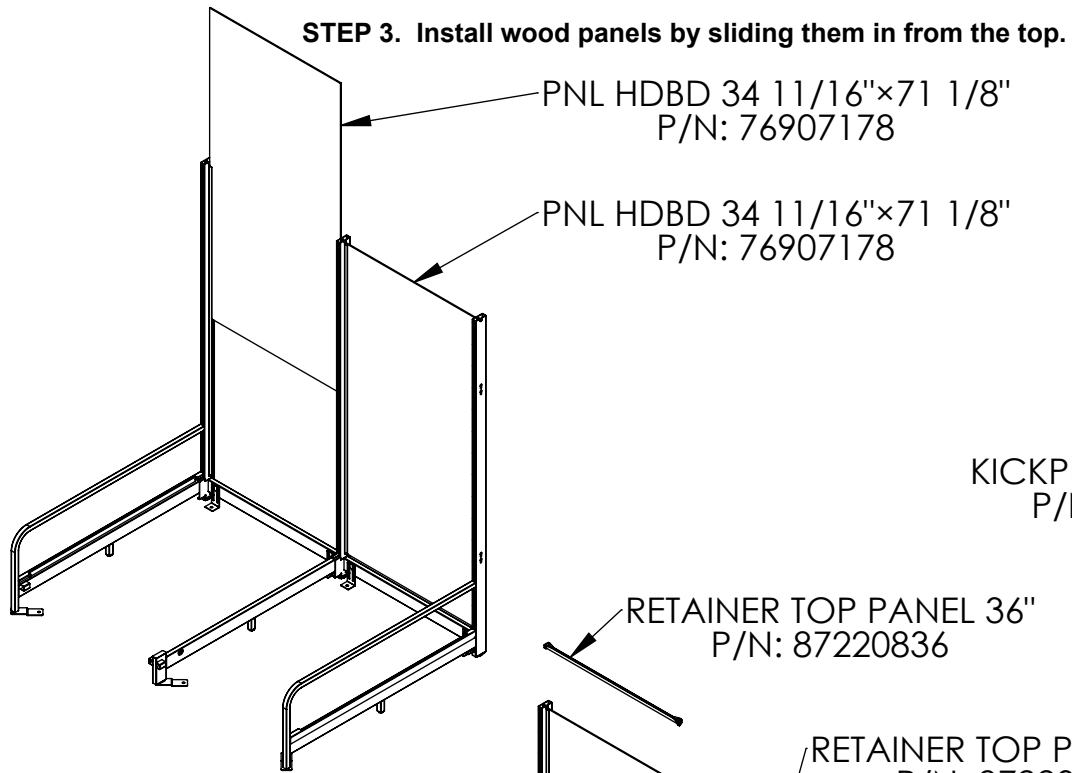
LAD. PART NO.  
52394378

REV.  
5

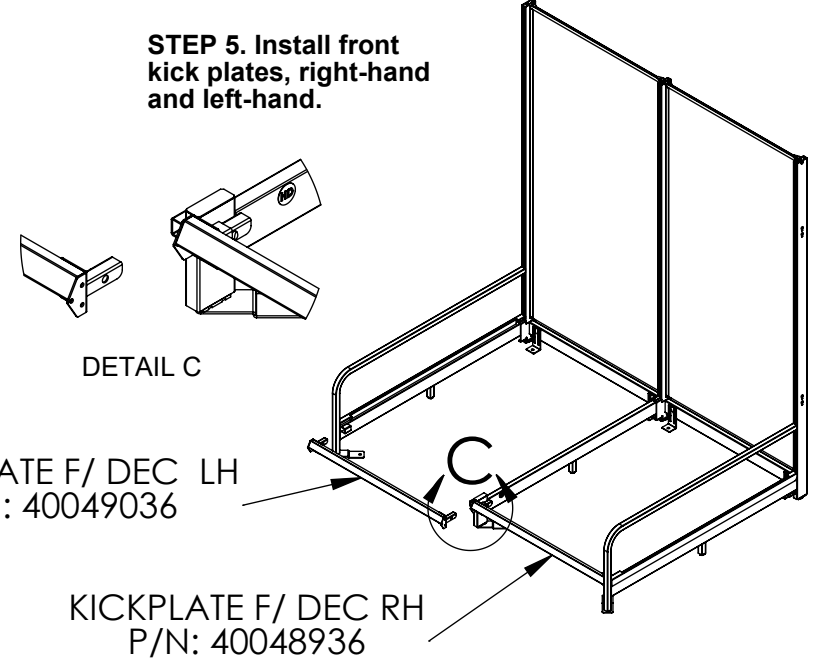
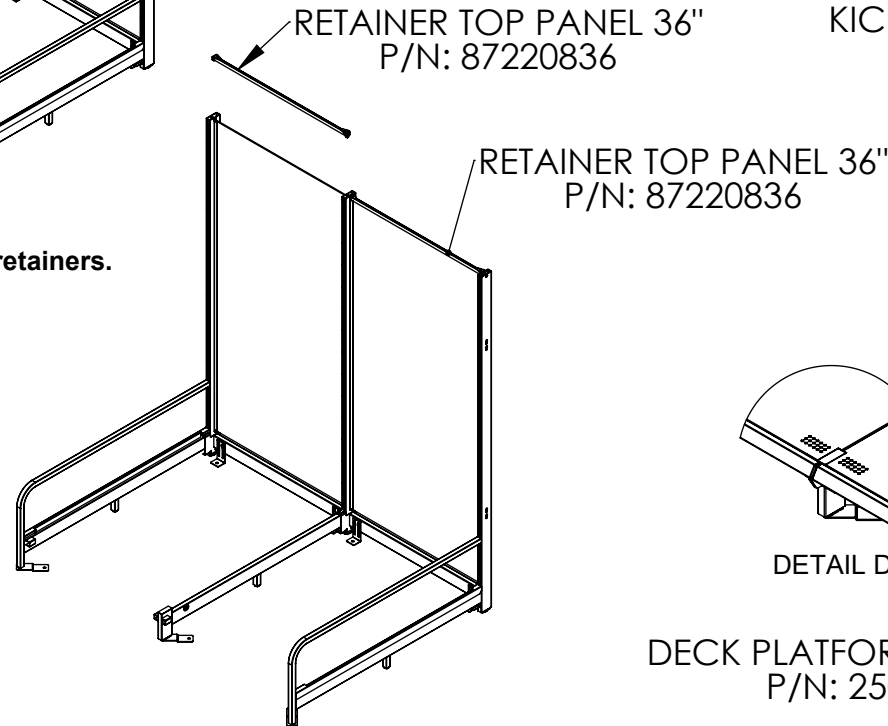
LAD. DESCRIPTION  
END CAP DEEP 727848

Customer Service 1-800-682-5730

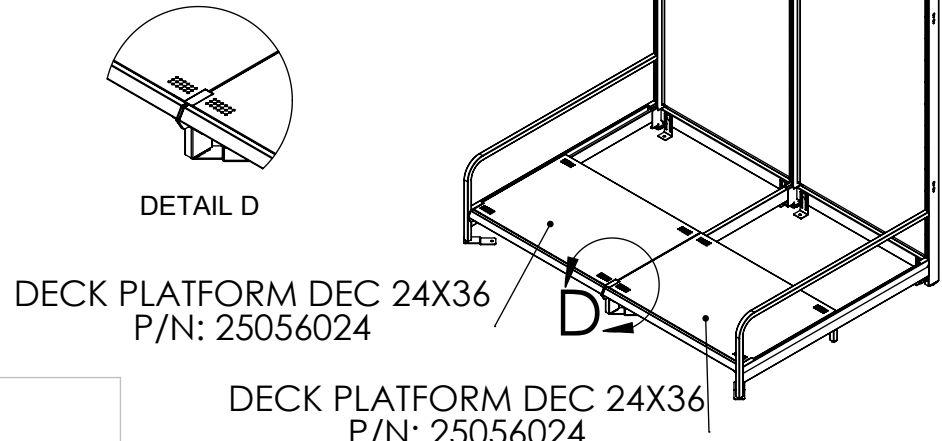
PAGE  
2



**STEP 4. Install top panel retainers.**



**STEP 6. Install front decks for the purpose of squaring up the unit. The corner notches go toward the front.**



**L.A. DARLING COMPANY**

WALMART PART NO.  
**100550364**

**ASSEMBLY INSTRUCTIONS**

LAD. PART NO.  
52394378

REV.  
5

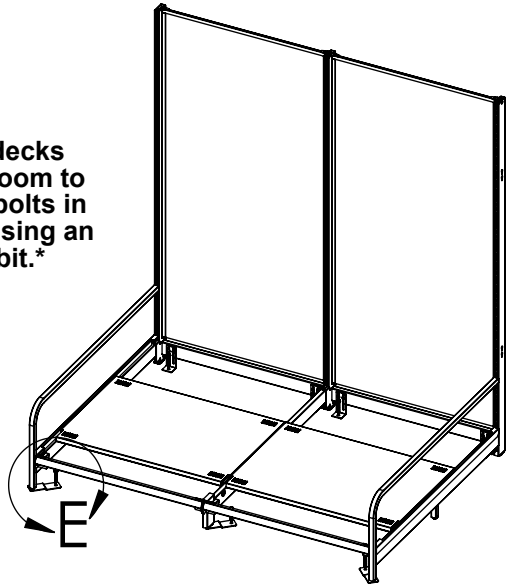
LAD. DESCRIPTION  
END CAP DEEP 727848

DECK PLATFORM DEC 24X36  
P/N: 25056024

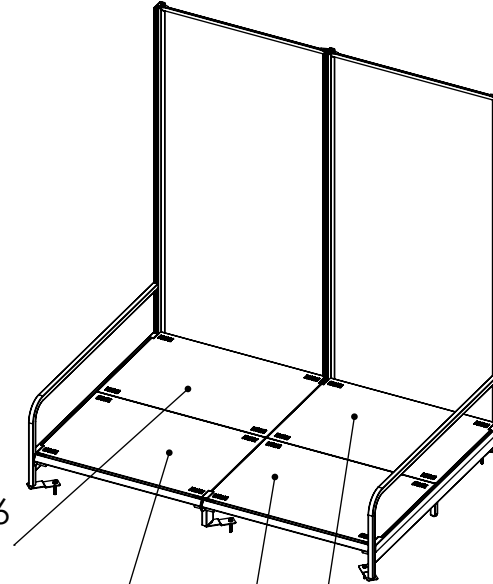
Customer Service 1-800-682-5730

PAGE  
3

**STEP 7. Slide decks back to allow room to install anchor bolts in seven places using an approved drill bit.\***



\* Drill bit used should be a 3/8" Dewalt Wedge-Bit 01332-PWR or equivalent that meets the tolerance requirements of ANSI standard B212.15.

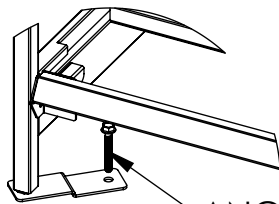


DECK PLATFORM DEC 24X36  
P/N: 25056024

DECK PLATFORM DEC 24X36  
P/N: 25056024

DECK PLATFORM DEC 24X36  
P/N: 25056024

DECK PLATFORM DEC 24X36  
P/N: 25056024



ANCHOR BOLT 3/8×2 1/2  
P/N: 537883212  
DETAIL E SAP# 100626799/  
100626820(50-PACK) \*

\*NOTE! Anchor bolts are not provided in this kit.

**STEP 8. Slide front decks back in position and install rear decks (same part number) placing the notches toward the rear.**

**Install shelves in desired locations.**

**L.A. DARLING COMPANY**

WALMART PART NO.  
**100550364**

**ASSEMBLY  
INSTRUCTIONS**

LAD. PART NO.  
52394378

REV.  
5

LAD. DESCRIPTION  
END CAP DEEP 727848

Customer Service 1-800-682-5730

PAGE  
4

LAD PART #	WMSAP #		DESCRIPTION
<b>52394378C215</b>	<b>100550364</b>	<b>QTY</b>	<b>End Cap Deep 36" x 36" x 78" x 48"</b>
Consists of.			
10223178C215		1	Upright Half Inter 4878
10223078C215	100554755	1	Upright Half L.H. 4878
10222978C215	100554761	1	Upright Half R.H. 4878
40049036C215		1	Kickplate For DEC 36" L.H.
40048936C215		1	Kickplate For DEC 36" R.H.
87220836C215	100037894	2	Retainer Top Panel 36"
76907178W215	100550628	2	Panel Hardboard 34 11/16" x 71 1/8"
52448736C215	100062810	2	Pallet Stop For Deep End Cap 36"
25056024C215	100508395	4	Deck Platform DEC 24" x 36"

**L.A. DARLING COMPANY**

WALMART PART NO.  
**100550364**

**ASSEMBLY  
INSTRUCTIONS**

LAD. PART NO.  
52394378

REV.  
5

LAD. DESCRIPTION  
END CAP DEEP 727848

Customer Service 1-800-682-5730

PAGE  
5