

L.A. DARLING COMPANY

WALMART PART NO.
100550370

**ASSEMBLY
INSTRUCTIONS**

LAD. PART NO.
52402378IS

REV.
6

LAD. DESCRIPTION
END CAP DEEP 967848

Customer Service 1-800-682-5730

PAGE
1

UPR HALF END LH 4878
P/N: 10223078

UPR HALF INTR HD 4878
P/N: 10223178

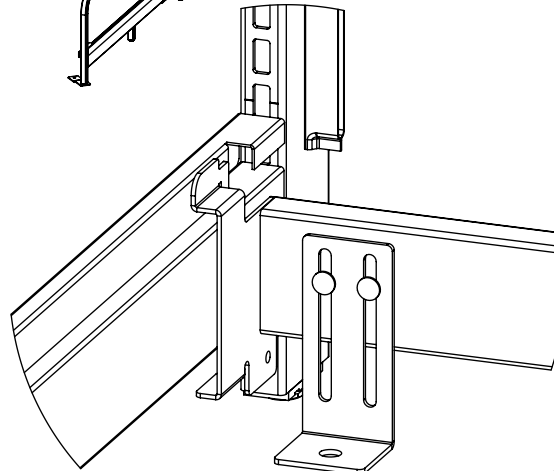
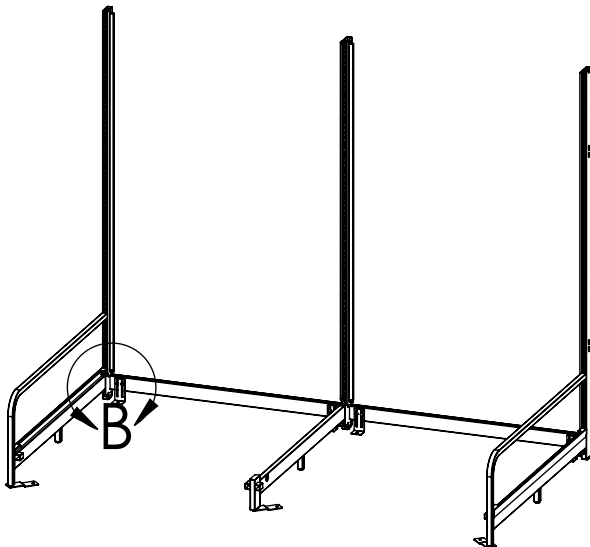
UPR HALF END RH 4878
P/N: 10222978

PALLET STOP 48"
P/N: 52448748

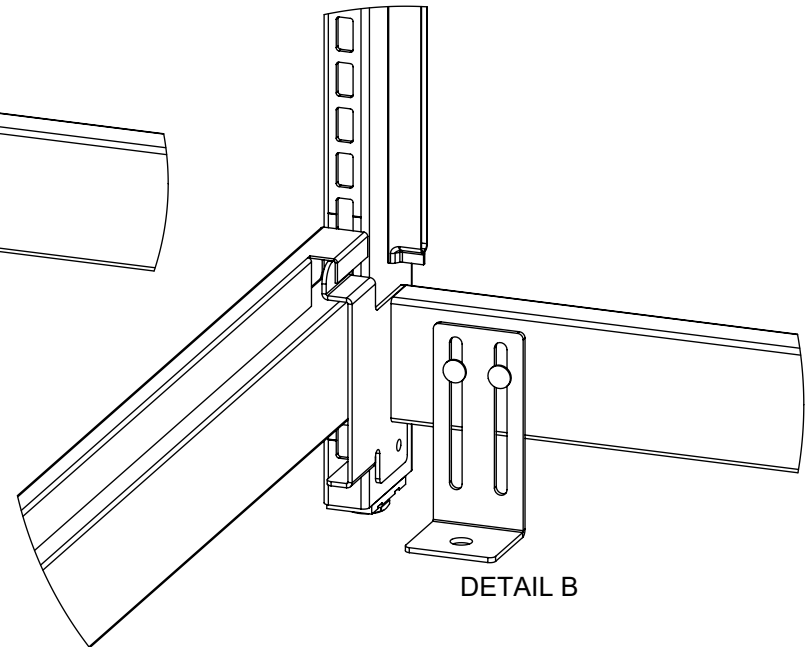
PALLET STOP 48"
P/N: 52448748

STEP 1. Extend rear leveler on bottom of half uprights approximately 1/2".

STEP 2. Starting on the left-hand of the unit, stand (1) left-hand end upright, (1) intermediate upright, and (1) right-hand end upright. Install (2) pallet stops between the end and intermediate uprights by placing bracket hooks into first slot above base leg (under filler) as shown in Detail A & B.



DETAIL A



DETAIL B

L.A. DARLING COMPANY

WALMART PART NO.
100550370

**ASSEMBLY
INSTRUCTIONS**

LAD. PART NO.
52402378IS

REV.
6

LAD. DESCRIPTION
END CAP DEEP 967848

Customer Service 1-800-682-5730

PAGE
2

STEP 3. Install wood panels by sliding them in from the top.

STEP 5. Install front kick plates, right-hand and left-hand.

PANEL HDBD 46 11/16"×71 1/8"
P/N: 76908178

PANEL HDBD 46 11/16"×71 1/8"
P/N: 76908178

DETAIL C

KICKPLATE F/ DEC 48" LH
P/N: 40049048

KICKPLATE F/ DEC 48" RH
P/N: 40048948

RETAINER TOP PANEL 48"
P/N: 87220848

RETAINER TOP PANEL 48"
P/N: 87220848

STEP 4. Install top panel retainers.

STEP 6. Install front decks for the purpose of squaring up the unit. The corner notches go toward the front.

DETAIL D

DECK PLATFORM DEC 24X48
P/N: 25055724

DECK PLATFORM DEC 24X48
P/N: 25055724

Customer Service 1-800-682-5730

L.A. DARLING COMPANY

WALMART PART NO.
100550370

**ASSEMBLY
INSTRUCTIONS**

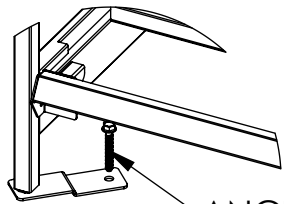
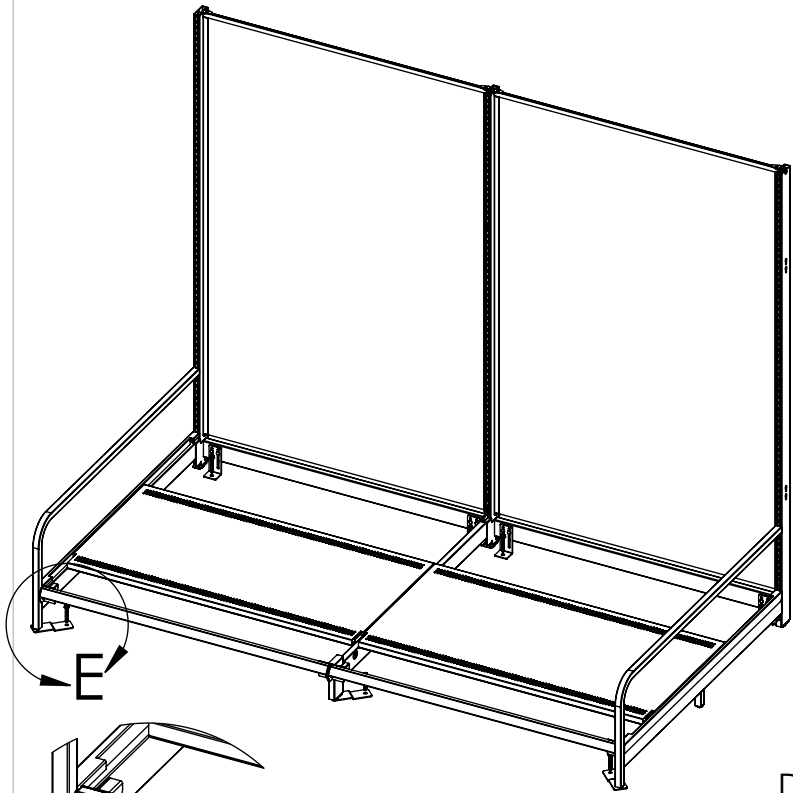
LAD. PART NO.
52402378IS

REV.
6

LAD. DESCRIPTION
END CAP DEEP 967848

PAGE
3

STEP 7. Slide decks back to allow room to install anchor bolts in seven places using an approved drill bit.*.



ANCHOR BOLT 3/8x2 1/2
P/N: 537883212
DETAIL E SAP# 100626799/
100626820(50-PACK) *

DECK PLATFORM DEC 24X48
P/N: 25055724

DECK PLATFORM DEC 24X48
P/N: 25055724

DECK PLATFORM DEC 24X48
P/N: 25055724

DECK PLATFORM DEC 24X48
P/N: 25055724

*NOTE! Anchor bolts are not provided in this kit.

STEP 8. Slide front decks back in position and install rear decks (same part number) placing the notches toward the rear.

STEP 9. Install shelves in desired locations.

This completes install of LAD unit. Please refer to manufacturers instructions for signholder installation. See Final Page for Parts List.

Customer Service 1-800-682-5730

L.A. DARLING COMPANY

WALMART PART NO.
100550370

**ASSEMBLY
INSTRUCTIONS**

LAD. PART NO.
52402378IS

REV.
6

LAD. DESCRIPTION
END CAP DEEP 967848

PAGE
4

LAD#52402378C215 WM SAP#100550370 DEEP ENDCAP 96" x 78" x 48" RS

ITEM NO.	QTY	WM SAP #	LAD PART NUMBER	DESCRIPTION
1	1	NOT AVAILABLE	10223178C215	UPR HALF INTR HD 4878
2	2	100063572	52448748C215	PALLET STOP 48"
3	4	100063522	25055724C215	DECK PLATFORM DEC 24X48
4	1	NOT AVAILABLE	40049048C215	KICKPLATE F/ DEC 48" LH
5	1	100554761	10222978C215	UPR HALF END RH 4878
6	1	100554755	10223078C215	UPR HALF END LH 4878
7	2	100552730	76908178W215	PANEL HDBD 46 11/16"×71 1/8"
8	2	100037898	87220848C215	RETAINER TOP PANEL 48"
9	1	NOT AVAILABLE	40048948C215	KICKPLATE F/ DEC 48" RH

L.A. DARLING COMPANY

WALMART PART NO.
DEC967848-SV

**ASSEMBLY
INSTRUCTIONS**

LAD. PART NO.
52402378IS

REV.
6

LAD. DESCRIPTION
END CAP DEEP 967848-SV

Customer Service 1-800-682-5730

PAGE
5