

L.A. DARLING COMPANY

**ASSEMBLY
INSTRUCTIONS**

LAD. PART NO.
52561578IS

REV.
3

LAD. DESCRIPTION
END CAP DEEP 967836

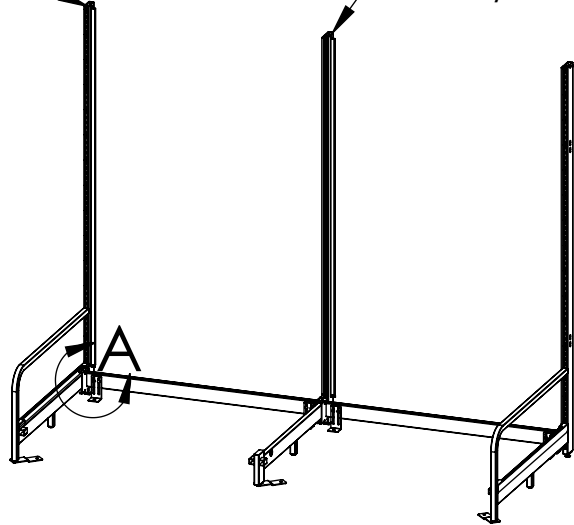
Customer Service 1-800-682-5730

PAGE
1 OF 5

UPR HALF END LH 3678
P/N: 10226578

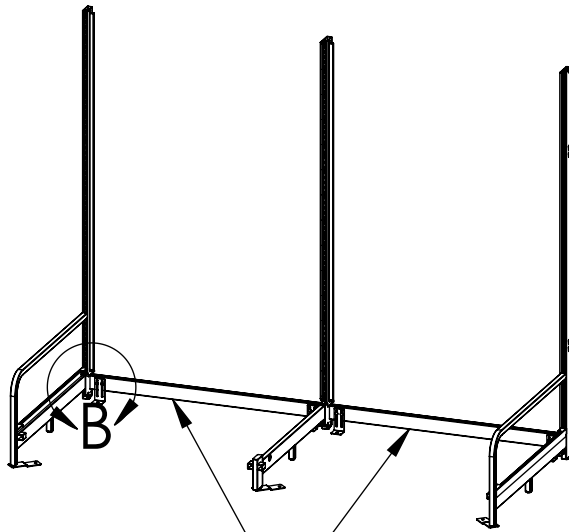
UPR HALF INTR HD
P/N: 10226478

UPR HALF END RH 3678
P/N: 10226678

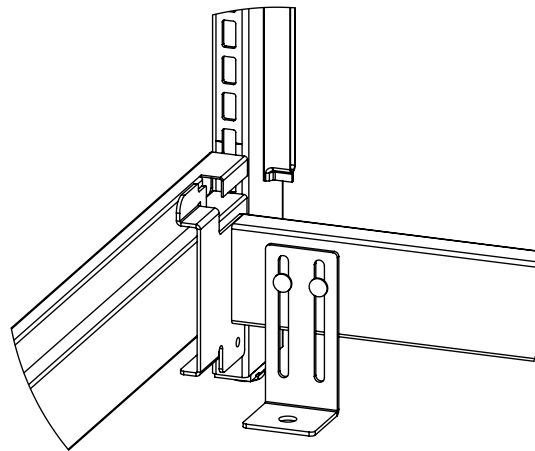


STEP 1. Extend rear leveler on bottom of half uprights approximately 1/2".

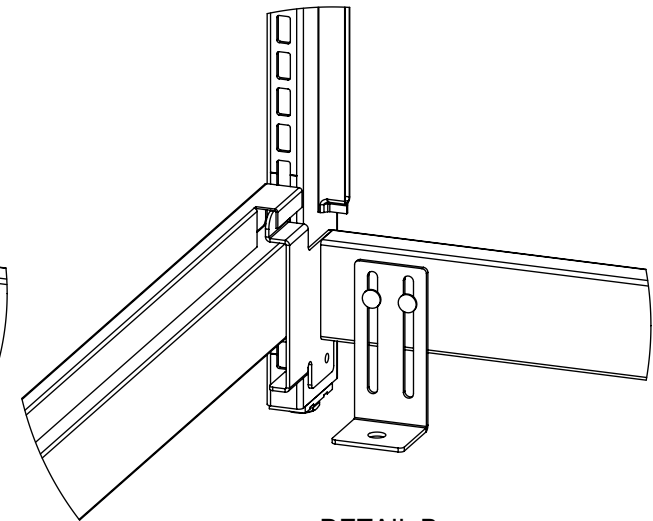
STEP 2. Starting on the left-hand of the unit, stand (1) left-hand end upright and (1) intermediate upright. Install a pallet stop between the two uprights by placing bracket hooks into first slot above base leg (under filler) as shown in Detail A & B.



PALLET STOP 48"
P/N: 52448748



DETAIL A



DETAIL B

L.A. DARLING COMPANY

**ASSEMBLY
INSTRUCTIONS**

LAD. PART NO.
52561578IS

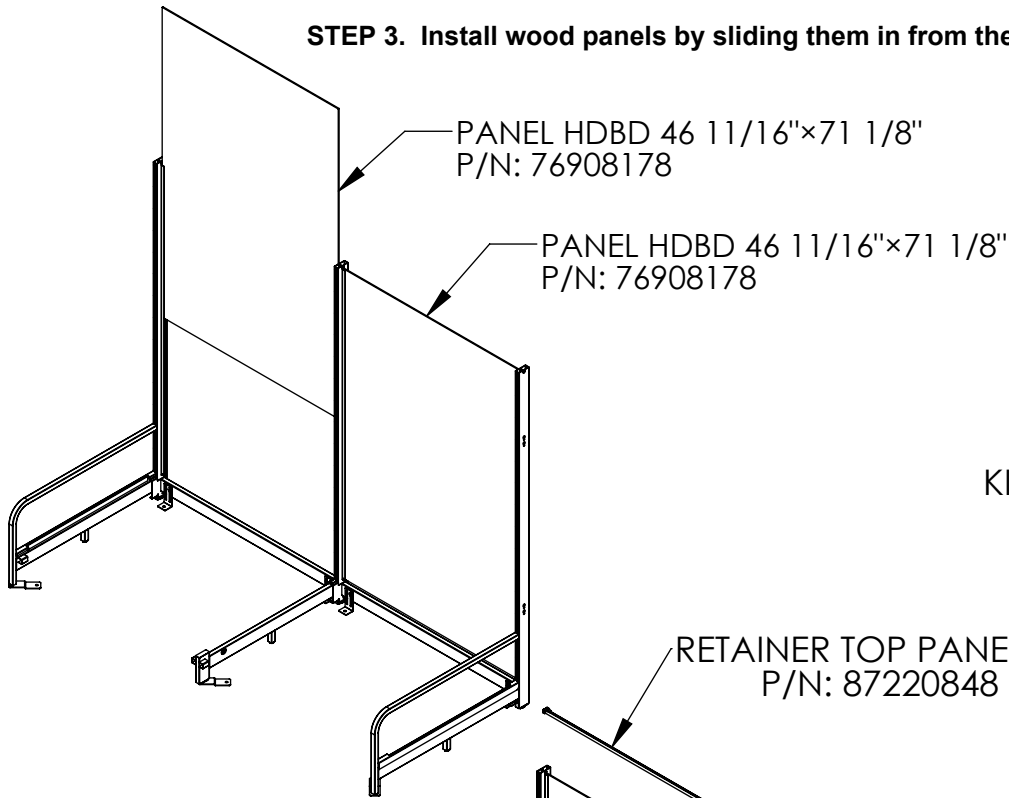
REV.
3

LAD. DESCRIPTION
END CAP DEEP 967836

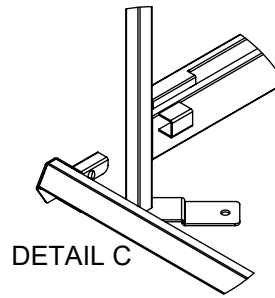
Customer Service 1-800-682-5730

PAGE
2 OF 5

STEP 3. Install wood panels by sliding them in from the top.



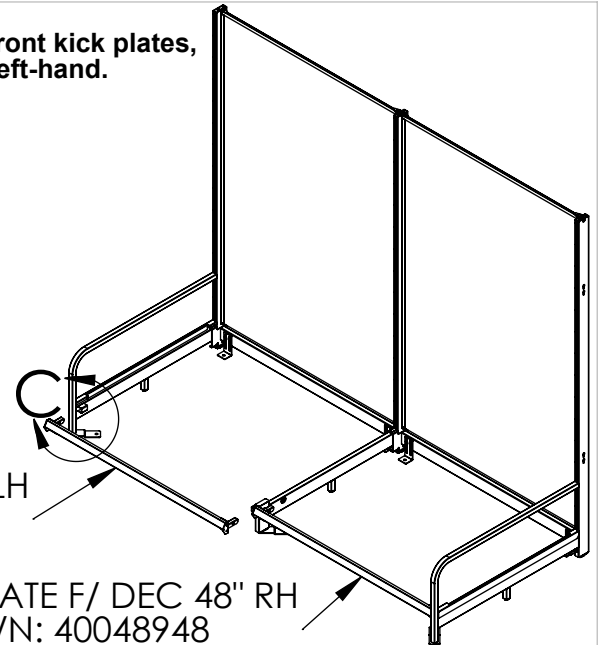
STEP 5. Install front kick plates, right-hand and left-hand.



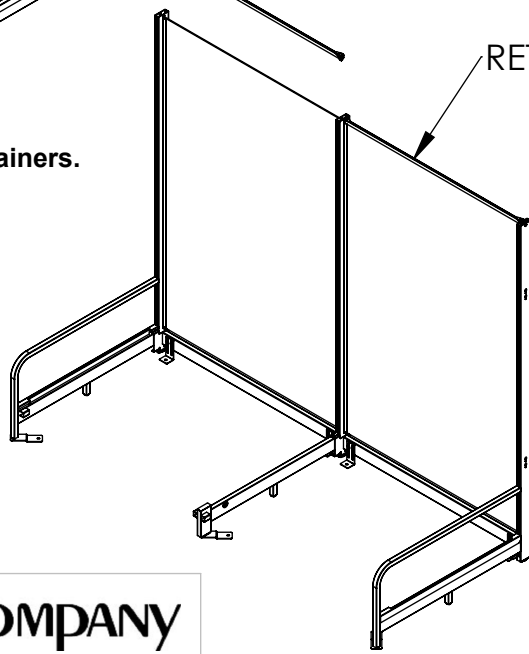
DETAIL C

KICKPLATE F/ DEC 48" LH
P/N: 40049048

KICKPLATE F/ DEC 48" RH
P/N: 40048948

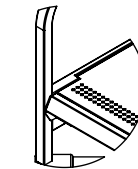


STEP 4. Install top panel retainers.



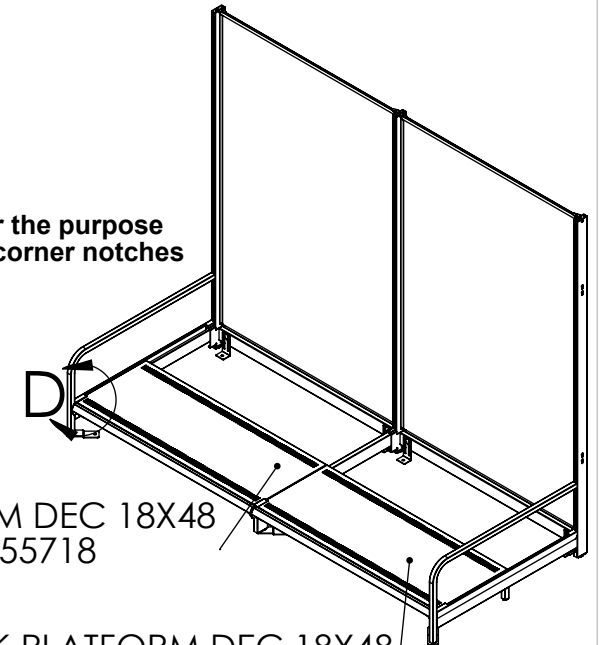
RETAINER TOP PANEL 48"
P/N: 87220848

STEP 6. Install front decks for the purpose of squaring up the unit. The corner notches go toward the front.



DETAIL D

DECK PLATFORM DEC 18X48
P/N: 25055718



L.A. DARLING COMPANY

ASSEMBLY INSTRUCTIONS

LAD. PART NO.
52561578IS

REV.
3

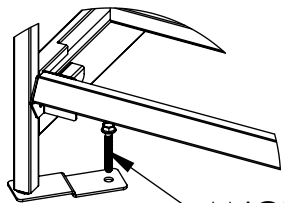
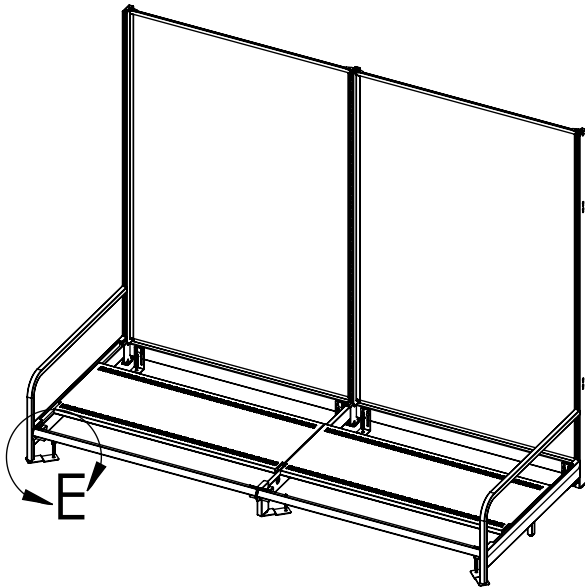
LAD. DESCRIPTION
END CAP DEEP 967836

DECK PLATFORM DEC 18X48
P/N: 25055718
Customer Service 1-800-682-5730

PAGE
3 OF 5

STEP 7. Slide decks back to allow room to install anchor bolts in seven places using an approved drill bit.*.

* Drill bit used should be a 3/8" Dewalt Wedge-Bit 01332-PWR or equivalent that meets the tolerance requirements of ANSI standard B212.15.



ANCHOR BOLT 3/8×2 1/2
P/N: 537883212
DETAIL E SAP# 100626799/
100626820(50-PACK) *

DECK PLATFORM DEC 18X48
P/N: 25055718

DECK PLATFORM DEC 18X48
P/N: 25055718

DECK PLATFORM DEC 18X48
P/N: 25055718

DECK PLATFORM DEC 18X48
P/N: 25055718

STEP 8. Slide front decks back in position and install rear decks (same part number) placing the notches toward the rear.

STEP 9. Install shelves in desired locations.

This completes the installation of the end cap.

L.A. DARLING COMPANY

**ASSEMBLY
INSTRUCTIONS**

LAD. PART NO.
52561578IS

REV.
3

LAD. DESCRIPTION
END CAP DEEP 967836

Customer Service 1-800-682-5730

PAGE
4 OF 5

LAD PART#	WM SAP#	QTY	DESCRIPTION
52561578C215	100550369	1	End Cap Deep 967836
Consists of:			
10226478C215		1	Upright Half Inter 3678
10226578C215	100554308	1	Upright Half L.H. 3678
10226678C215	100062819	1	Upright Half R.H. 3678
40048948C215		1	Kickplate F/DEC 48" R.H.
40049048C215		1	Kickplate F/DEC 48" L.H.
87220848C215	100037898	2	Retainer Top Panel 48"
76908178W215	100552730	2	Panel Hardboard 46 11/16" x 71 1/8"
52448748C215	100063572	2	Pallet Stop For Deep End Cap 48"
25055718C215	100063520	4	Deck 18" x 48"

L.A. DARLING COMPANY

**ASSEMBLY
INSTRUCTIONS**

LAD. PART NO.
52561578IS

REV.
3

LAD. DESCRIPTION
END CAP DEEP 967836

Customer Service 1-800-682-5730

PAGE
5 OF 5