

L.A. DARLING COMPANY

WALMART PART NO.
100604753

**ASSEMBLY
INSTRUCTIONS**

LAD. PART NO.
52712778IS

REV.
3

LAD. DESCRIPTION
END CAP DEEP 367824

Customer Service 1-800-682-5730

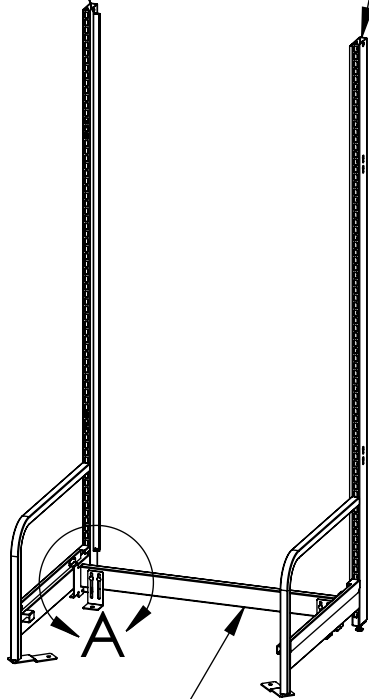
PAGE
1 OF 5

UPR HALF END LH 2478
P/N: 10250078

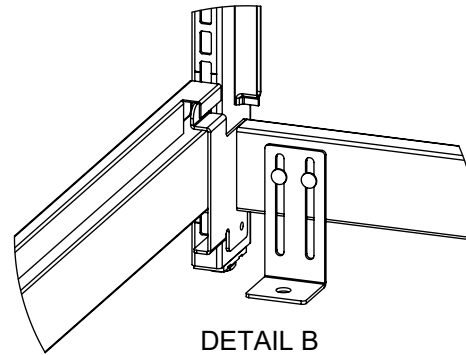
UPR HALF END RH 2478
P/N: 10250178

STEP 1. Extend rear leveler on bottom of half uprights approximately 1/2".

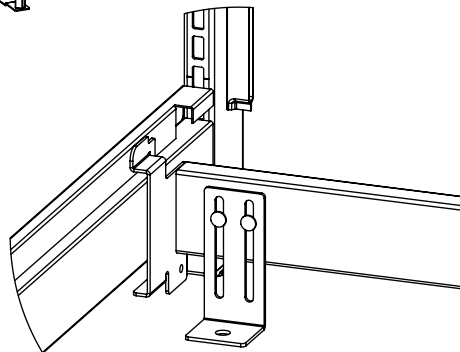
STEP 2. Stand (1) left-hand end upright and (1) right-hand end upright approximately 36" apart. Install a pallet stop between the two uprights by placing bracket hooks into first slot above base leg (under filler) as shown in Detail A & B.



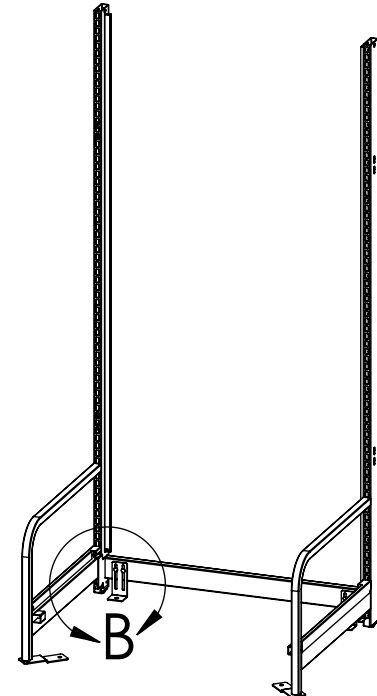
PALLET STOP 36"
P/N: 52448736



DETAIL B



DETAIL A



L.A. DARLING COMPANY

WALMART PART NO.
100604753

**ASSEMBLY
INSTRUCTIONS**

LAD. PART NO.
52712778IS

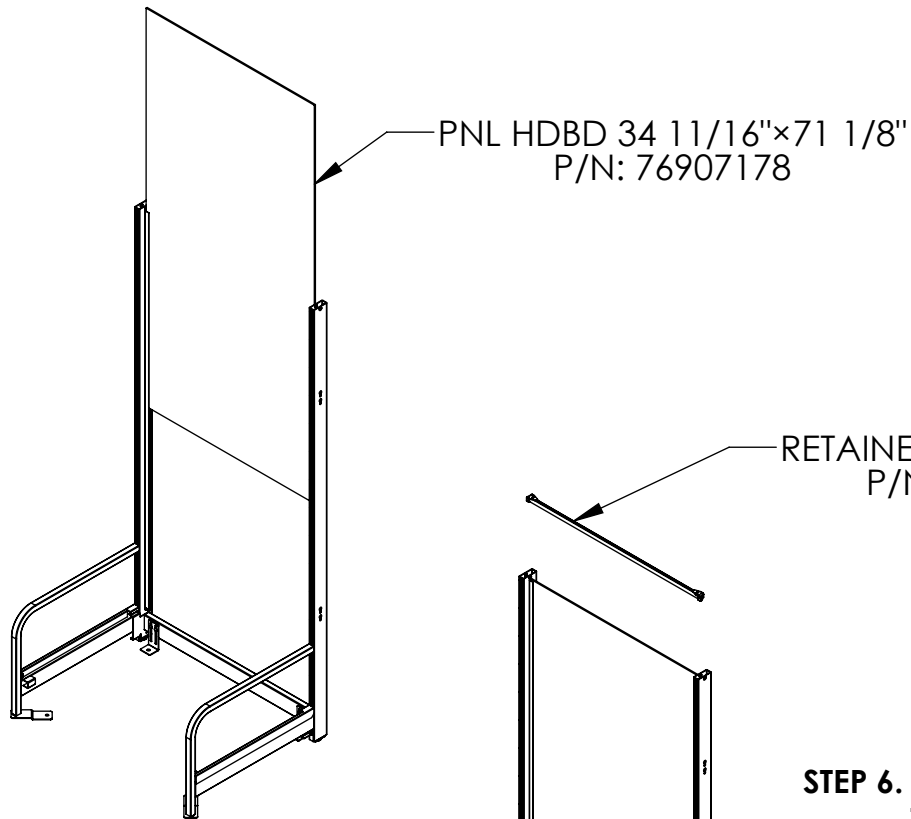
REV.
3

LAD. DESCRIPTION
END CAP DEEP 367824

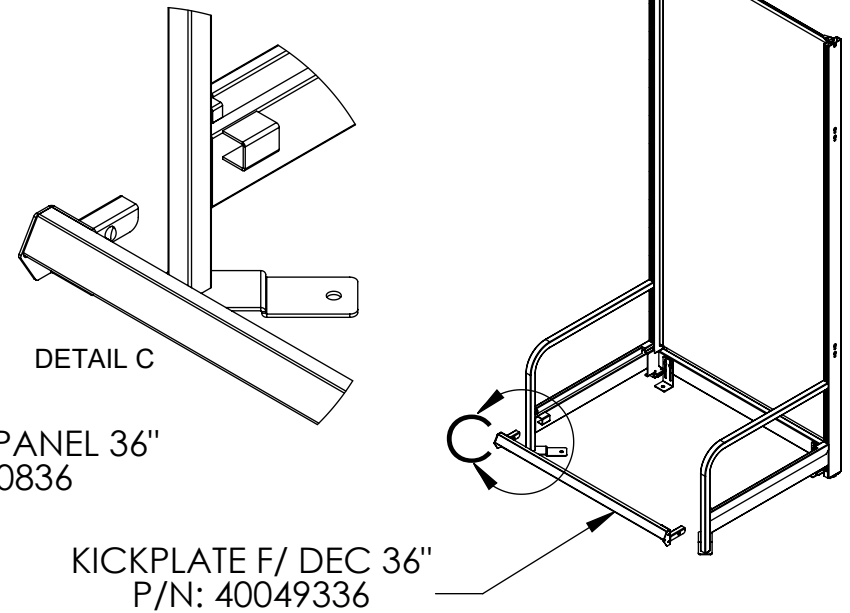
Customer Service 1-800-682-5730

PAGE
2 OF 5

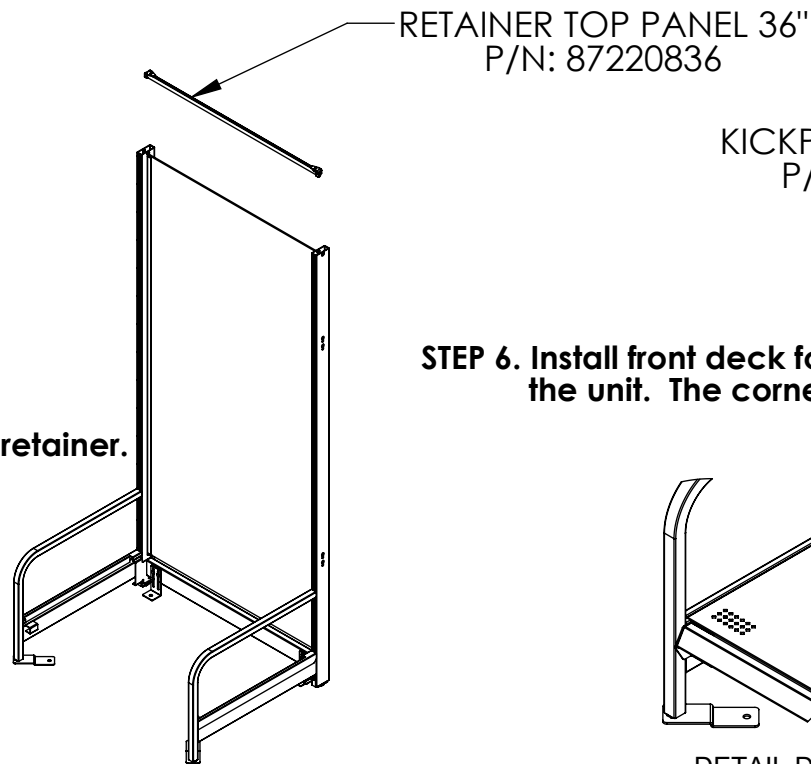
STEP 3. Install wood panel by sliding it in from the top.



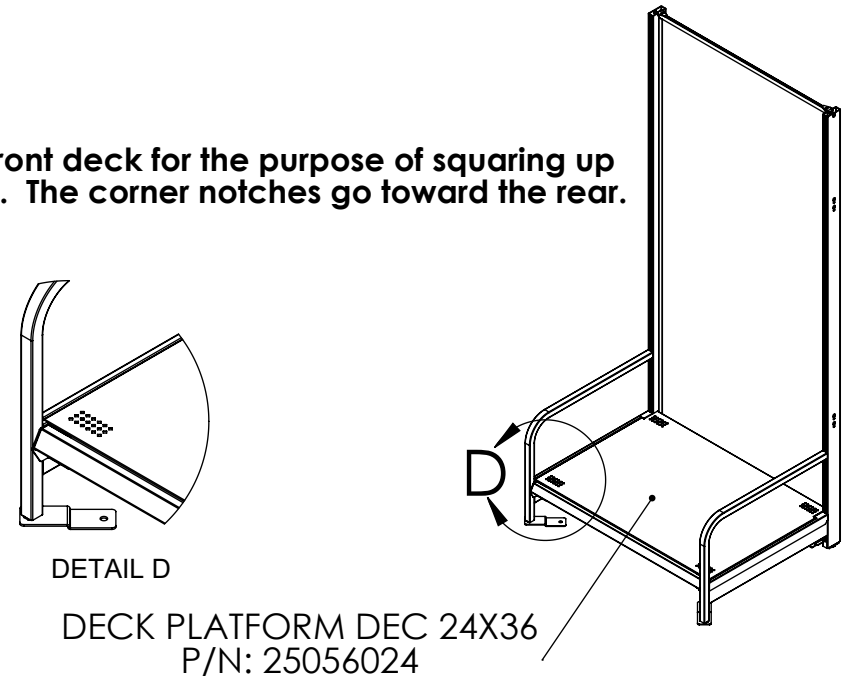
STEP 5. Install front kick plate.



STEP 4. Install top panel retainer.



STEP 6. Install front deck for the purpose of squaring up the unit. The corner notches go toward the rear.



L.A. DARLING COMPANY

WALMART PART NO.
100604753

**ASSEMBLY
INSTRUCTIONS**

LAD. PART NO.
52712778IS

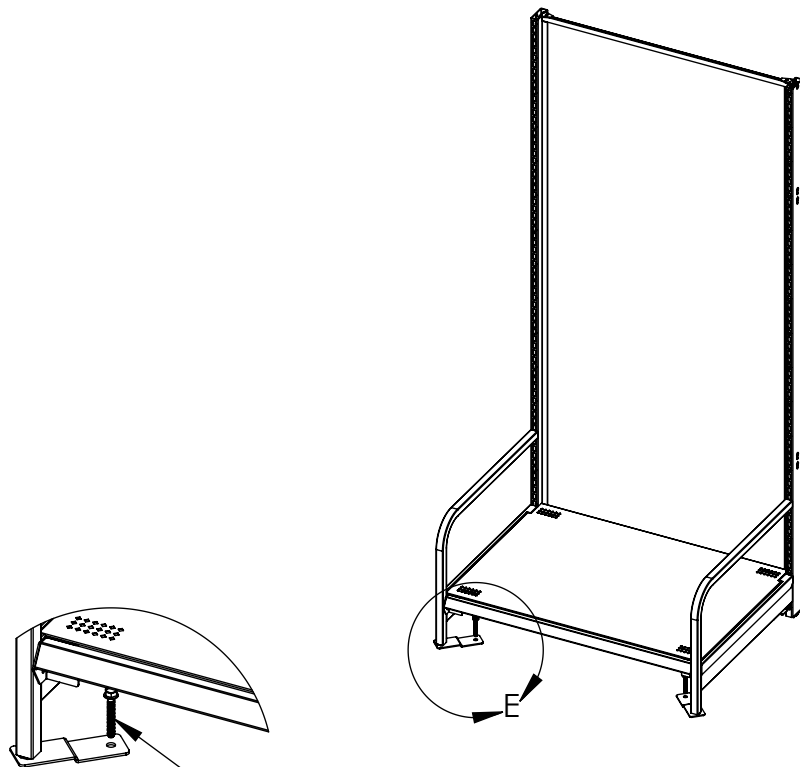
REV. 3 LAD. DESCRIPTION
END CAP DEEP 367824

Customer Service 1-800-682-5730

PAGE
3 OF 5

**STEP 7. Install anchor bolts in four places.
(Deck will need to be removed prior to this.)**

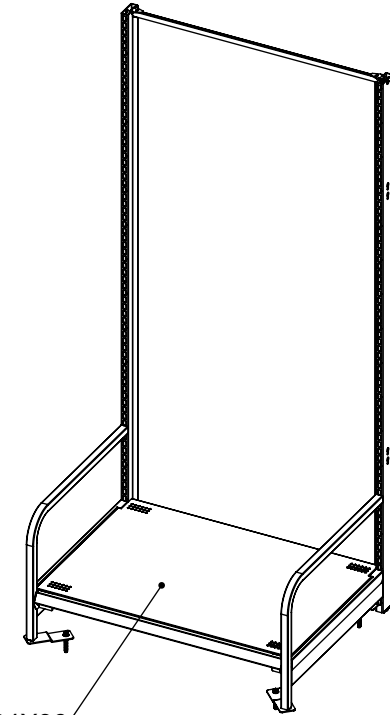
* Drill bit used should be a 3/8" Dewalt Wedge-Bit 01332-PWR or equivalent that meets the tolerance requirements of ANSI standard B212.15.



DETAIL E

ANCHOR BOLT 3/8x2 1/2
P/N: 537883212
SAP#: 100626799 / 100626820 (50 -PACK)*

*NOTE! Anchor bolts are not provided in this kit.



DECK PLATFORM DEC 24X36
P/N: 2505602425056024

STEP 8. Install shelves in desired locations.

This completes the installation of the end cap.

L.A. DARLING COMPANY

WALMART PART NO.
100604753

**ASSEMBLY
INSTRUCTIONS**

LAD. PART NO.
52712778IS

REV.
3

LAD. DESCRIPTION
END CAP DEEP 367824

Customer Service 1-800-682-5730

PAGE
4 OF 5

LAD #: 52712778C215 WM SAP #: 100604753 END CAP DEEP 367824

ITEM	QTY	WM SAP #	LAD #	DESCRIPTION
1	1	100550683	10250178	UPR HALF END RH 2478
2	1	100550682	10250078	UPR HALF END LH 2478
3	1	100062810	52448736	PALLET STOP
4	1	100552730	76907178	PNL HDBD 34 11/16"×71 1/8"
5	1	100037894	87220836	RETAINER TOP PANEL 36"
6	1	100508395	25056024	DECK PLATFORM DEC 24X36
7	1	100554752	40049336	KICKPLATE F/ DEC 36"

L.A. DARLING COMPANY

WALMART PART NO.
100604753

**ASSEMBLY
INSTRUCTIONS**

LAD. PART NO.
52712778IS

REV.
3

LAD. DESCRIPTION
END CAP DEEP 367824

Customer Service 1-800-682-5730

PAGE
5 OF 5