

L.A. DARLING COMPANY

WALMART PART NO.
100550352

**ASSEMBLY
INSTRUCTIONS**

LAD. PART NO.
52712878IS

REV.
3

LAD. DESCRIPTION
END CAP DEEP 487824

Customer Service 1-800-682-5730

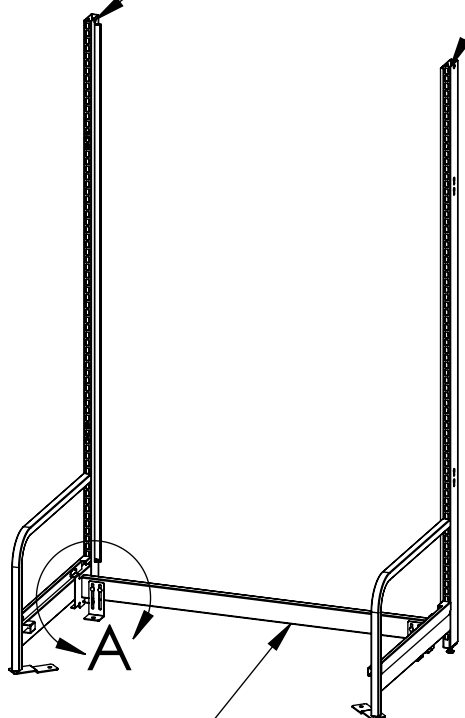
PAGE
1 OF 5

UPR HALF END LH 2478
P/N: 10250078

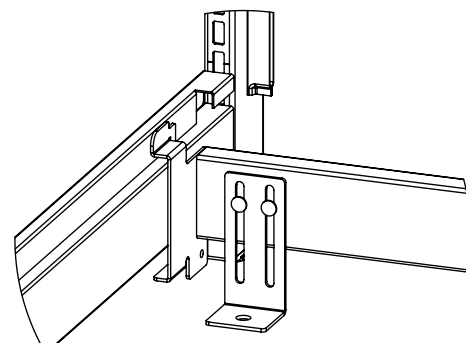
UPR HALF END RH 2478
P/N: 10250178

STEP 1. Extend rear leveler on bottom of half uprights approximately 1/2".

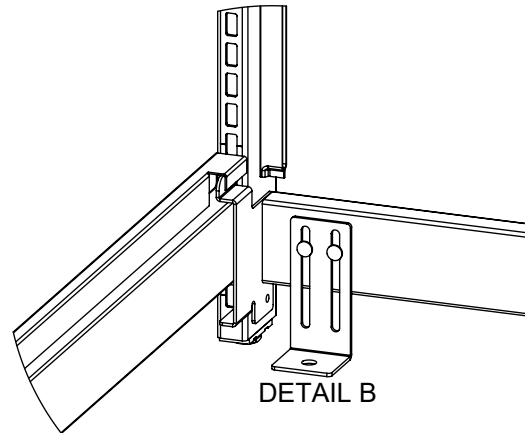
STEP 2. Stand (1) left-hand end upright and (1) right-hand end upright approximately 48" apart. Install a pallet stop between the two uprights by placing bracket hooks into first slot above base leg (under filler) as shown in Detail A & B.



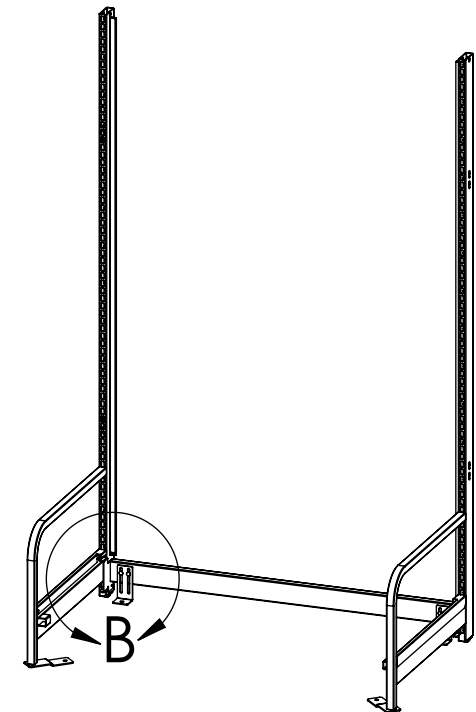
PALLET STOP 48"
P/N: 52448748



DETAIL A



DETAIL B



L.A. DARLING COMPANY

WALMART PART NO.
100550352

**ASSEMBLY
INSTRUCTIONS**

LAD. PART NO.
52712878IS

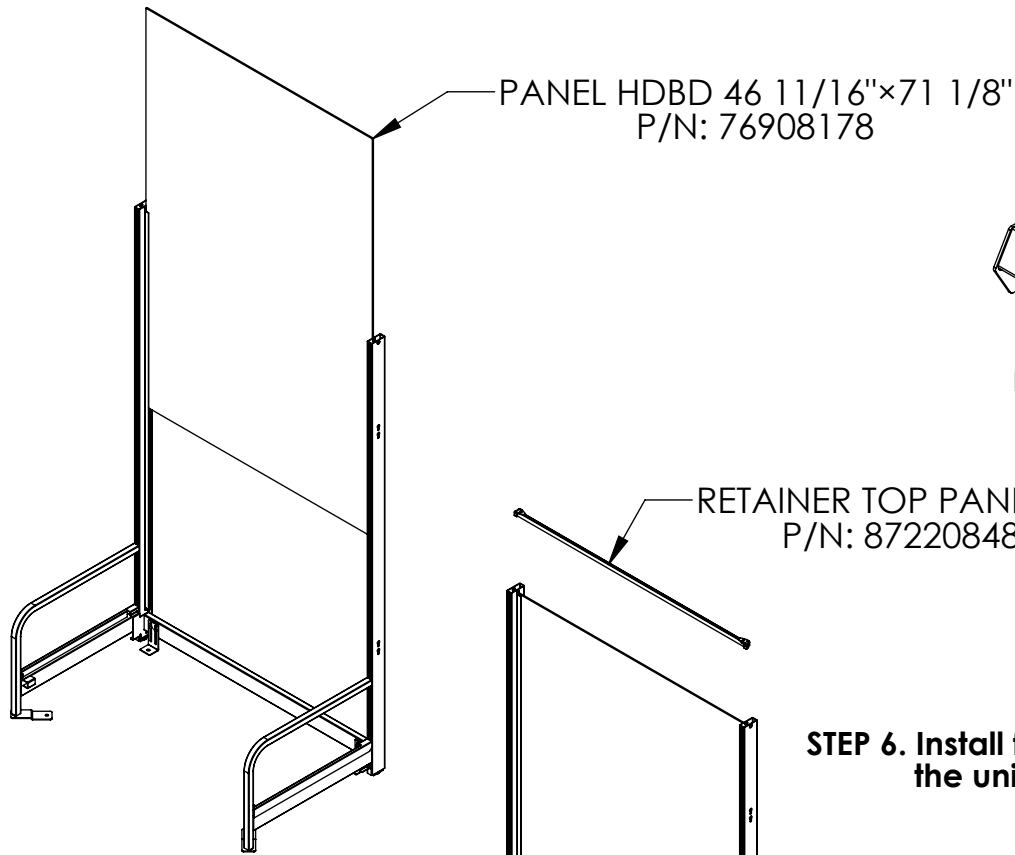
REV.
3

LAD. DESCRIPTION
END CAP DEEP 487824

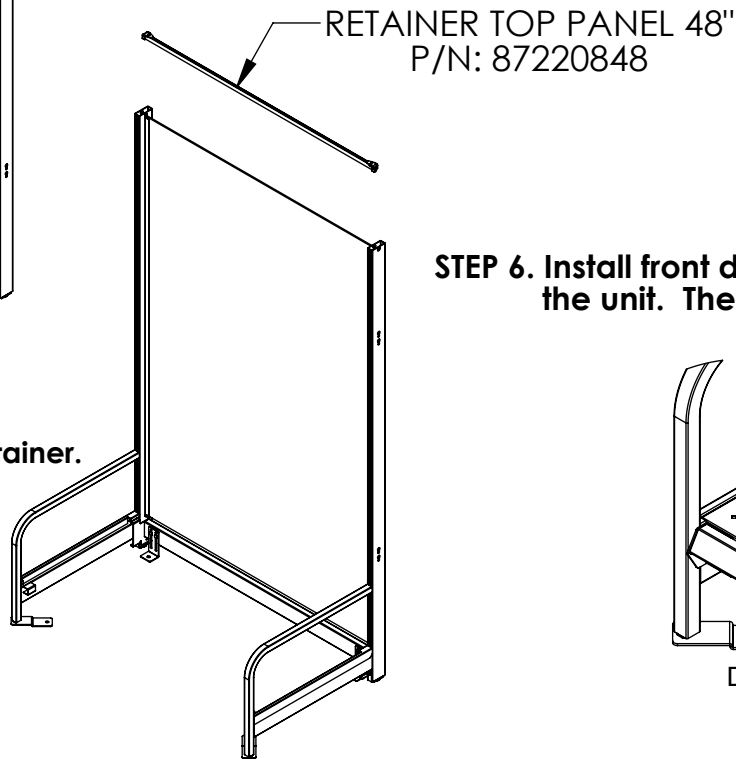
Customer Service 1-800-682-5730

PAGE
2 OF 5

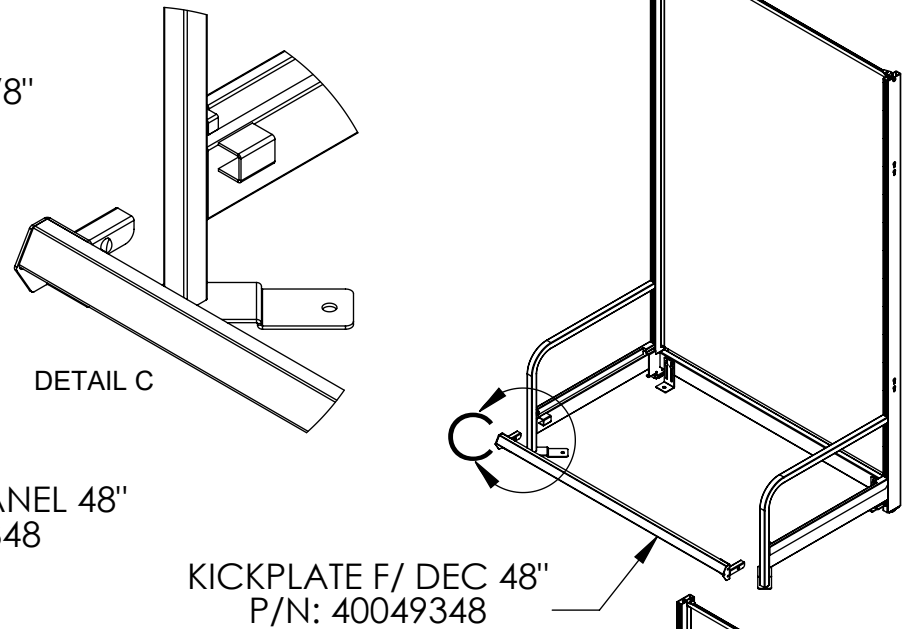
STEP 3. Install wood panel by sliding it in from the top.



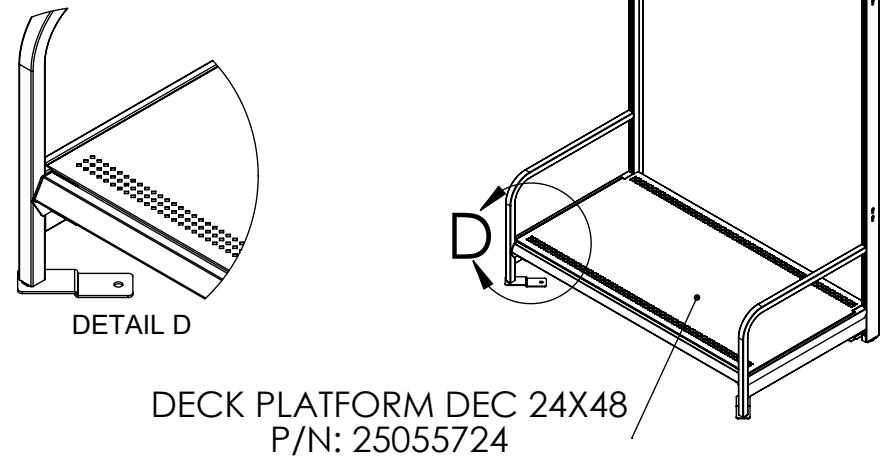
STEP 4. Install top panel retainer.



STEP 5. Install front kick plate.



STEP 6. Install front deck for the purpose of squaring up the unit. The corner notches go toward the rear.



L.A. DARLING COMPANY

WALMART PART NO.
100550352

**ASSEMBLY
INSTRUCTIONS**

LAD. PART NO.
52712878IS

REV.
3

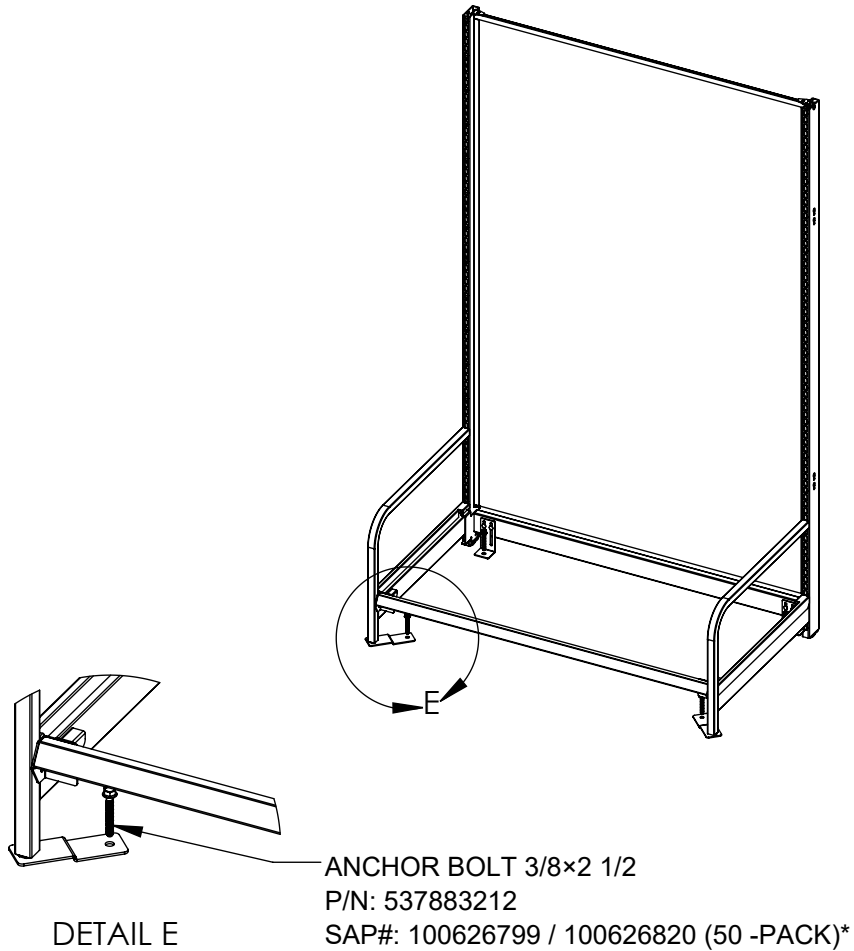
LAD. DESCRIPTION
END CAP DEEP 487824

Customer Service 1-800-682-5730

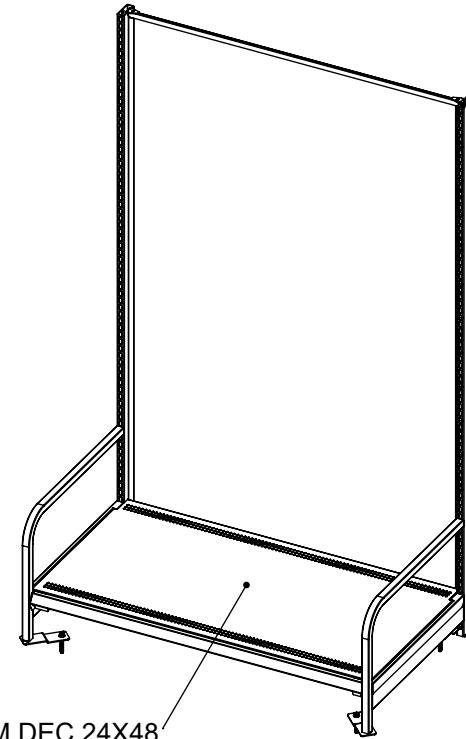
PAGE
3 OF 5

STEP 7. Install anchor bolts in four places.
(Deck will need to be removed prior to this.)

* Drill bit used should be a 3/8" Dewalt Wedge-Bit 01332-PWR or equivalent that meets the tolerance requirements of ANSI standard B212.15.



*NOTE! Anchor bolts are not provided in this kit.



DECK PLATFORM DEC 24X48
P/N: 25055724

STEP 8. Install shelves in desired locations.
This completes the installation of the end cap.

L.A. DARLING COMPANY WARMART PART NO.
100550352

**ASSEMBLY
INSTRUCTIONS**

LAD. PART NO.
52712878IS

REV.
3

LAD. DESCRIPTION
END CAP DEEP 487824

Customer Service 1-800-682-5730

PAGE
4 OF 5

LAD #: 52712878C215 WM SAP #: 100550352 END CAP DEEP 487824				
ITEM	QTY	WM SAP #	LAD #	DESCRIPTION
1	1	100550682	10250078	UPR HALF END LH 2478
2	1	100550683	10250178	UPR HALF END RH 2478
3	1	100063572	52448748	PALLET STOP 48"
4	1	100552730	76908178	PANEL HDBD 46 11/16"×71 1/8"
5	1	100037898	87220848	RETAINER TOP PANEL 48"
6	1	NA	40049348	KICKPLATE F/ DEC 48"
7	1	100063522	25055724	DECK PLATFORM DEC 24X48

L.A. DARLING COMPANY

WALMART PART NO.
100550352

**ASSEMBLY
INSTRUCTIONS**

LAD. PART NO.
52712878IS

REV.
3

LAD. DESCRIPTION
END CAP DEEP 487824

Customer Service 1-800-682-5730

PAGE
5 OF 5