

**L.A. DARLING COMPANY**

WALMART PART NO.  
100550362

**ASSEMBLY  
INSTRUCTIONS**

LAD. PART NO.  
52713178IS

REV.  
4

LAD. DESCRIPTION  
END CAP DEEP 727824

Customer Service 1-800-682-5730

PAGE  
1 OF 5

UPR HALF END LH 2478  
P/N: 10250078

UPRIGHT HALF INTER 2478  
P/N: 10249978

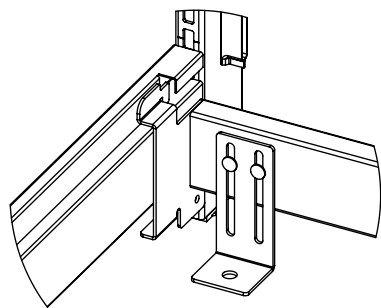
UPR HALF END RH 2478  
P/N: 10250178

**STEP 1.** Extend rear leveler on bottom of half uprights approximately 1/2".

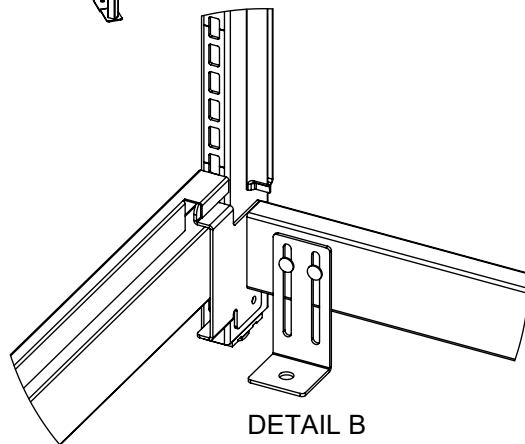
**STEP 2.** Starting on the left-hand of the unit, stand (1) left-hand end upright and (1) intermediate upright. Install a pallet stop between the two uprights by placing bracket hooks into first slot above base leg (under filler) as shown in Detail A & B.

PALLET STOP  
P/N: 52448736

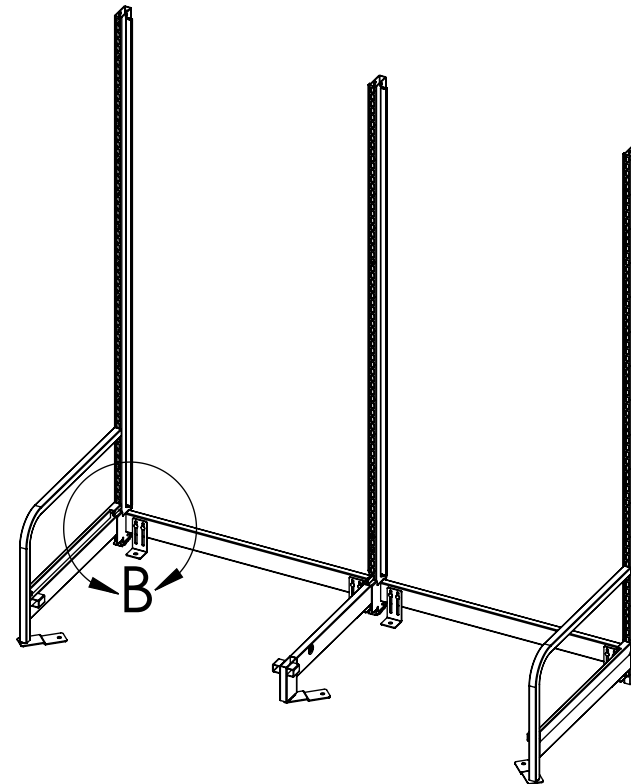
PALLET STOP  
P/N: 52448736



DETAIL A



DETAIL B



**L.A. DARLING COMPANY**

WALMART PART NO.  
100550362

**ASSEMBLY  
INSTRUCTIONS**

LAD. PART NO.  
52713178IS

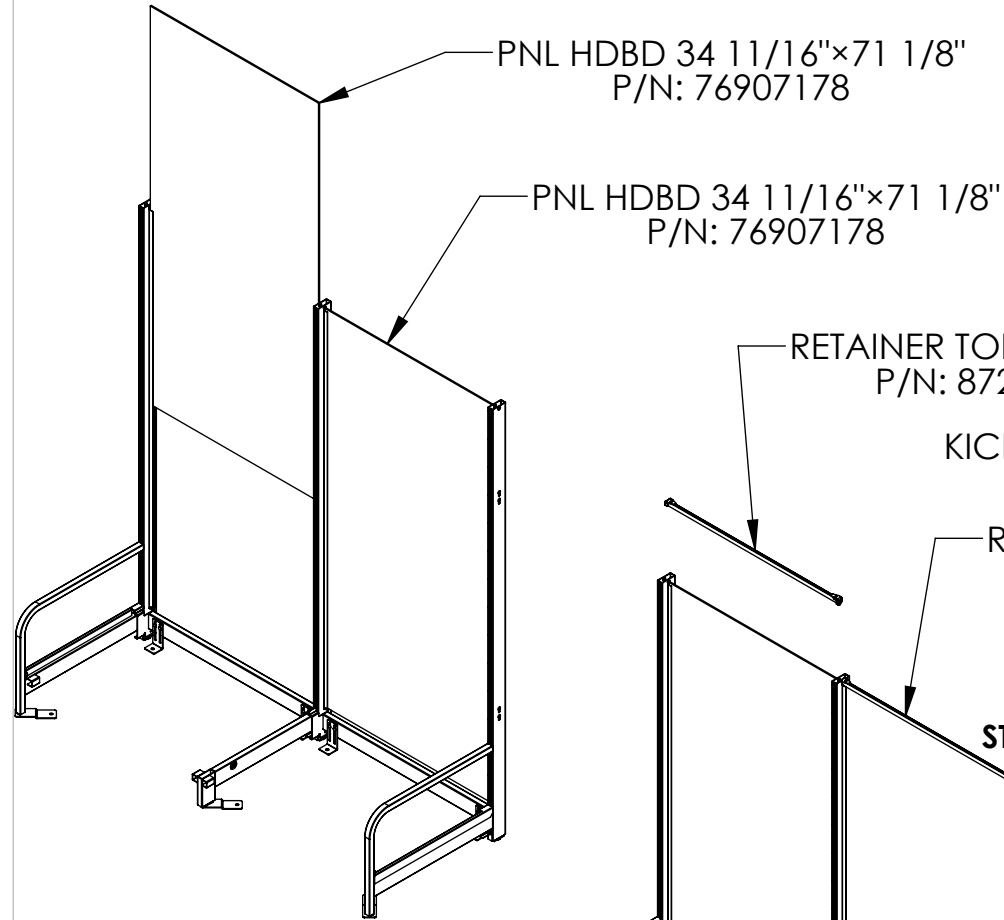
REV.  
4

LAD. DESCRIPTION  
END CAP DEEP 727824

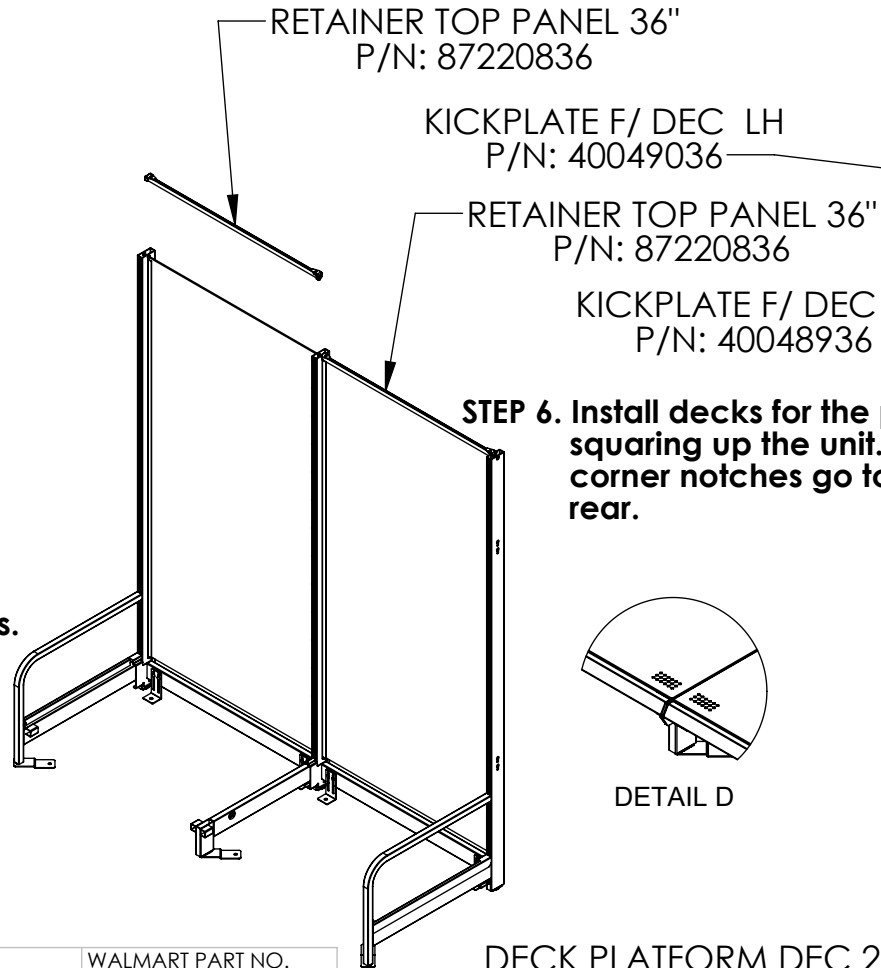
Customer Service 1-800-682-5730

PAGE  
2 OF 5

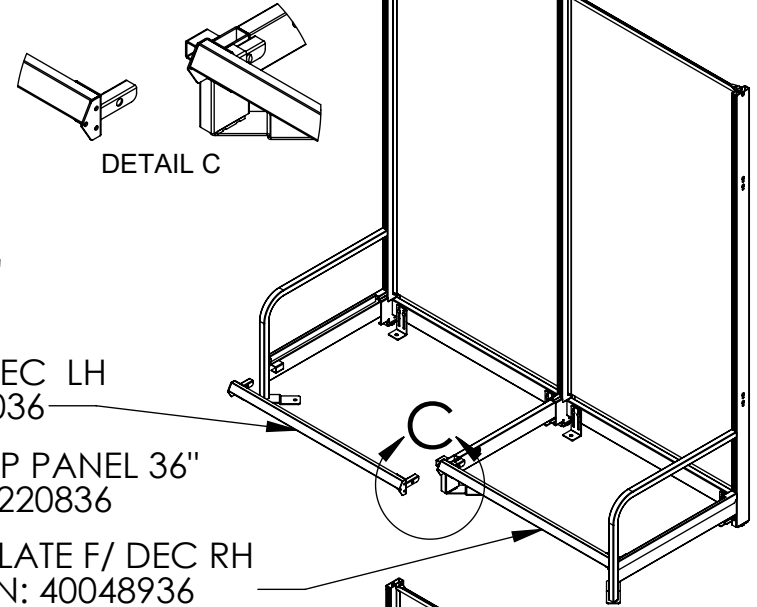
**STEP 3. Install wood panels by sliding them in from the top.**



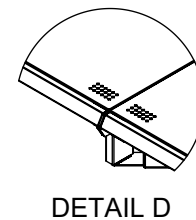
**STEP 4. Install top panel retainers.**



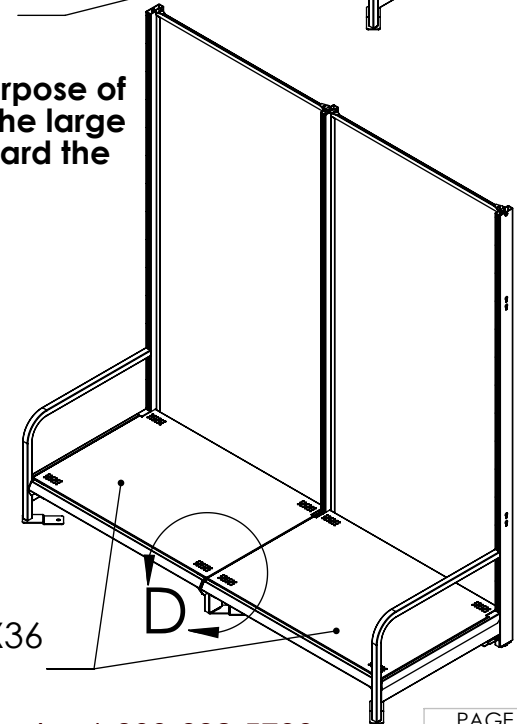
**STEP 5. Install front kick plates, right-hand and left-hand.**



**STEP 6. Install decks for the purpose of squaring up the unit. The large corner notches go toward the rear.**



DECK PLATFORM DEC 24X36  
P/N: 25056024



**L.A. DARLING COMPANY**

WALMART PART NO.  
100550362

**ASSEMBLY  
INSTRUCTIONS**

LAD. PART NO.  
52713178IS

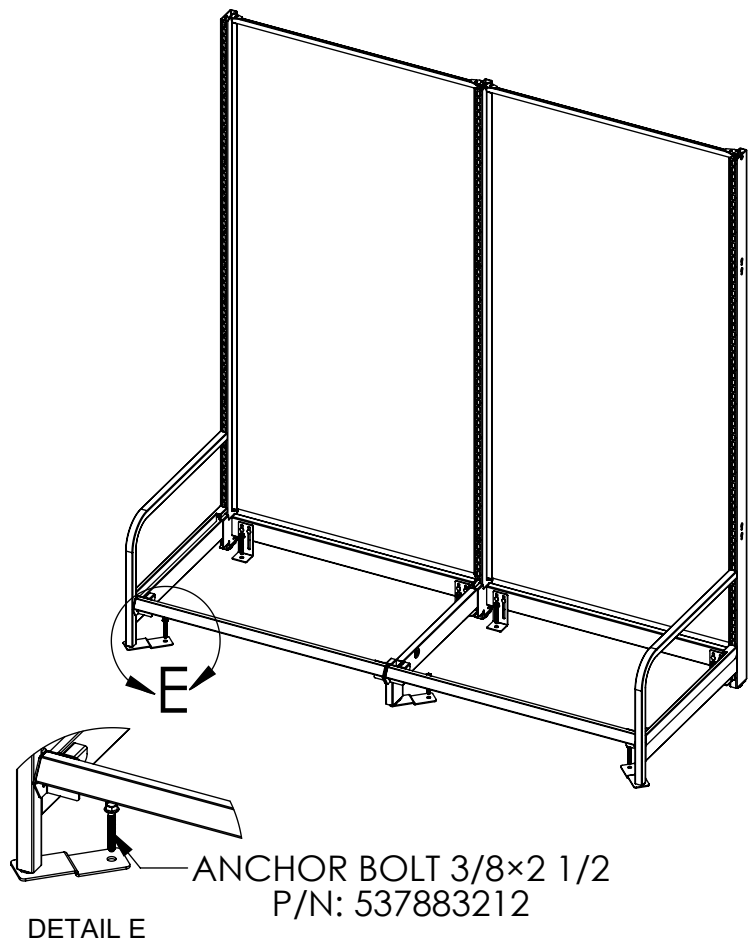
REV. 4 LAD. DESCRIPTION  
END CAP DEEP 727824

Customer Service 1-800-682-5730

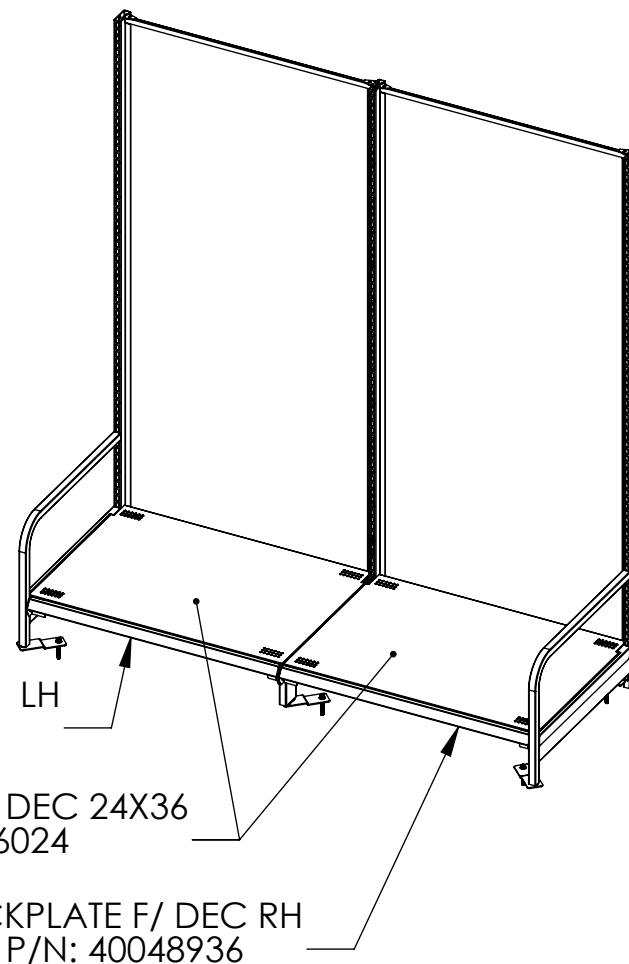
PAGE  
3 OF 5

**STEP 7. INSTALL ANCHOR BOLTS** in seven places.  
 (Decks will need to be removed prior to this.)

\* Drill bit used should be a 3/8" Dewalt Wedge-Bit 01332-PWR or equivalent that meets the tolerance requirements of ANSI standard B212.15.



\*NOTE! Anchor bolts are not provided in this kit.



**STEP 8. Install shelves in desired locations.**

**This completes the installation of the end cap.**

**L.A. DARLING COMPANY**

WALMART PART NO.  
 100550362

**ASSEMBLY  
 INSTRUCTIONS**

LAD. PART NO.  
 52713178IS

REV.  
 4

LAD. DESCRIPTION  
 END CAP DEEP 727824

Customer Service 1-800-682-5730

PAGE  
 4 OF 5

<b>LAD #: 52713178C215 WM SAP #: 100550362 END CAP DEEP 727824</b>				
<b>ITEM</b>	<b>QTY</b>	<b>WM SAP #</b>	<b>LAD #</b>	<b>DESCRIPTION</b>
1	1	100550682	10250078	UPR HALF END LH 2478
2	1	100550683	10250178	UPR HALF END RH 2478
3	2	100552730	76907178	PNL HDBD 34 11/16"×71 1/8"
4	2	100037894	87220836	RETAINER TOP PANEL 36"
5	1	NA	40049036	KICKPLATE F/ DEC LH
6	1	NA	10249978	UPRIGHT HALF INTER 2478
7	2	100062810	52448736	PALLET STOP
8	2	100505539	25056024	DECK PLATFORM DEC 24X36
9	1	NA	40048936	KICKPLATE F/ DEC RH

**L.A. DARLING COMPANY**

WALMART PART NO.  
100550362

**ASSEMBLY  
INSTRUCTIONS**

LAD. PART NO.  
52713178IS

REV.  
4

LAD. DESCRIPTION  
END CAP DEEP 727824

Customer Service 1-800-682-5730

PAGE  
5 OF 5