

L.A. DARLING COMPANY

WALMART PART NO.
100550368

**ASSEMBLY
INSTRUCTIONS**

LAD. PART NO.
52732678IS

REV.
3

LAD. DESCRIPTION
END CAP DEEP 967824

Customer Service 1-800-682-5730

PAGE
1 OF 5

UPR HALF END LH 2478
P/N: 10250078

UPRIGHT HALF INTER 2478
P/N: 10249978

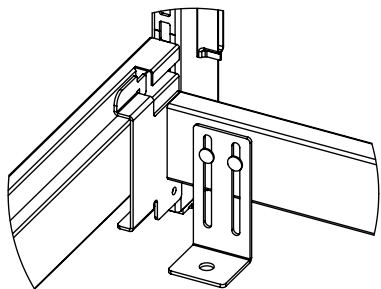
UPR HALF END RH 2478
P/N: 10250178

STEP 1. Extend rear leveler on bottom of half uprights approximately 1/2".

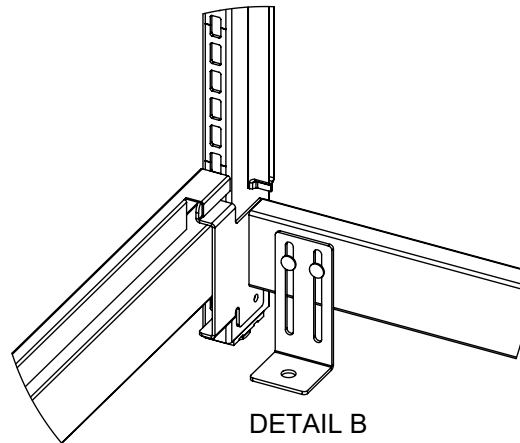
STEP 2. Starting on the left-hand of the unit, stand (1) left-hand end upright and (1) intermediate upright. Install a pallet stop between the two uprights by placing bracket hooks into first slot above base leg (under filler) as shown in Detail A & B.

PALLET STOP 48"
P/N: 52448748

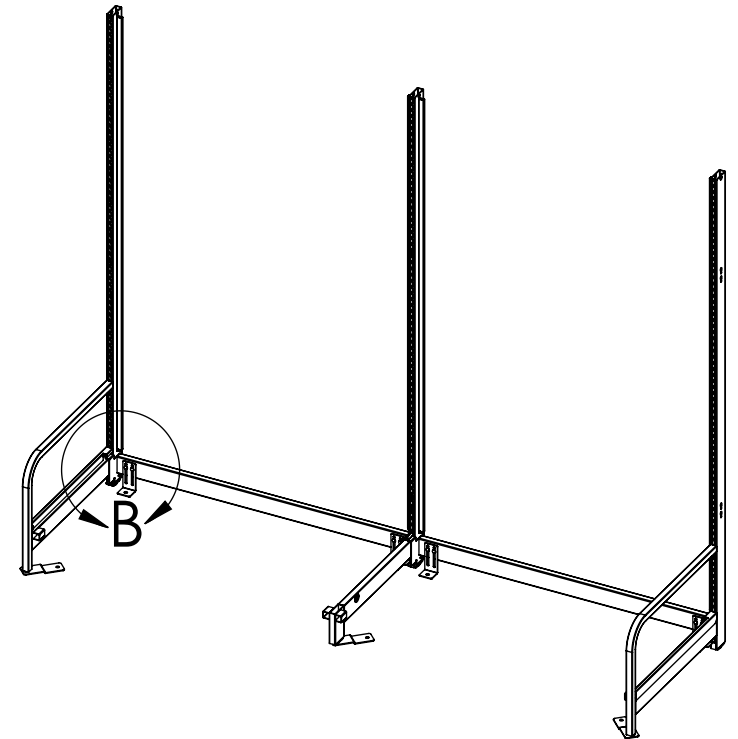
PALLET STOP 48"
P/N: 52448748



DETAIL A



DETAIL B



L.A. DARLING COMPANY

WALMART PART NO.
100550368

**ASSEMBLY
INSTRUCTIONS**

LAD. PART NO.
52732678IS

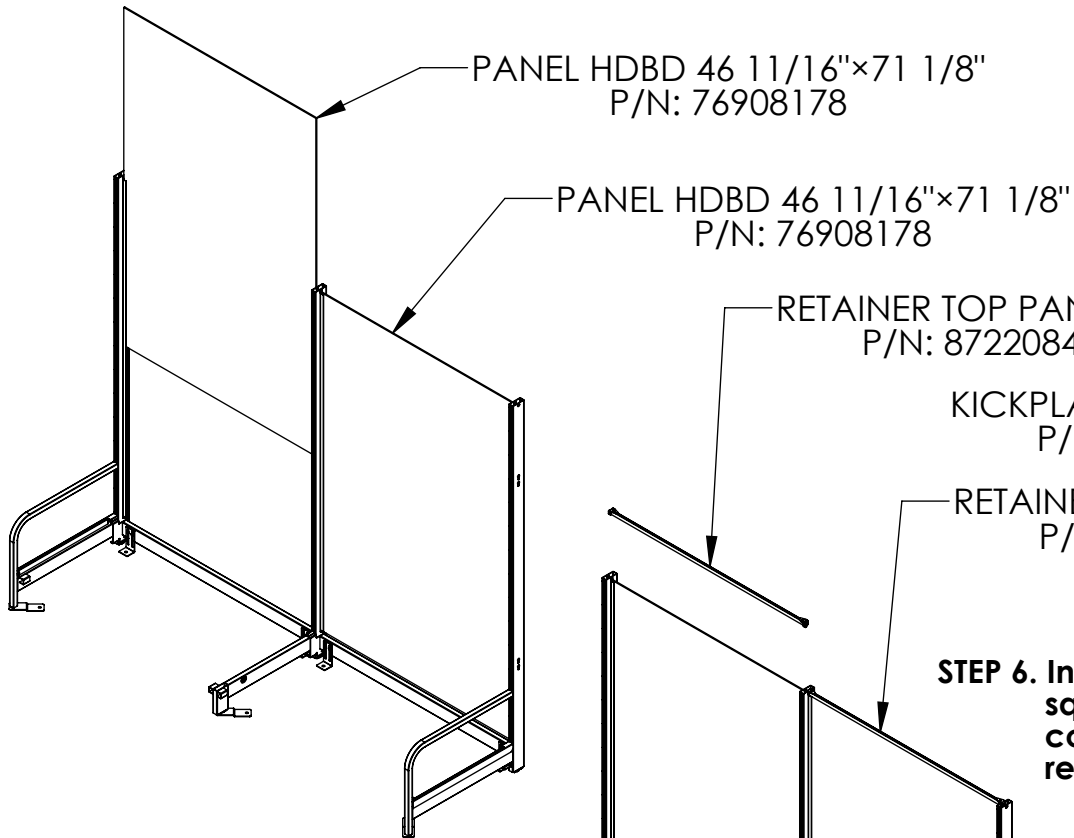
REV.
3

LAD. DESCRIPTION
END CAP DEEP 967824

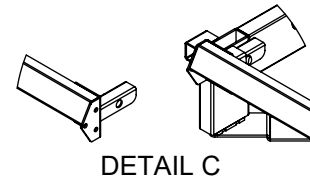
Customer Service 1-800-682-5730

PAGE
2 OF 5

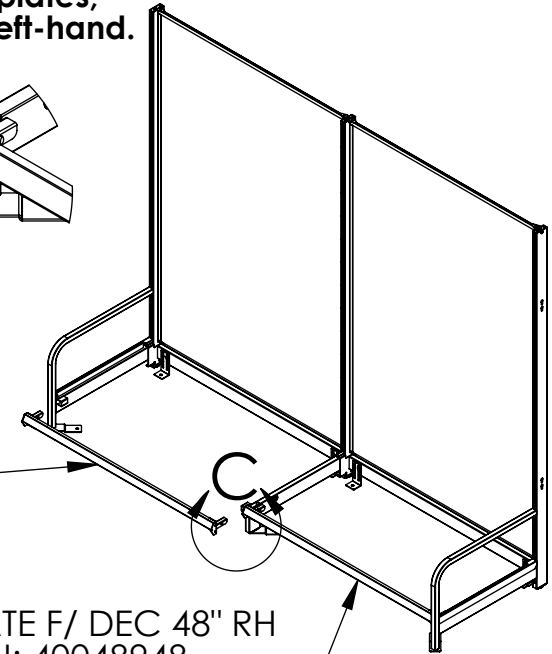
STEP 3. Install wood panels by sliding them in from the top.



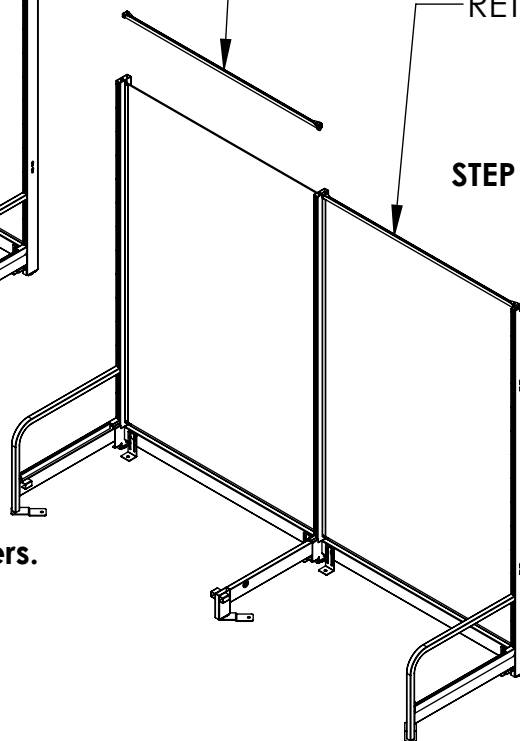
STEP 5. Install front kick plates, right-hand and left-hand.



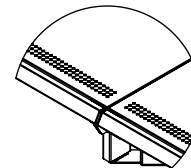
DETAIL C



STEP 4. Install top panel retainers.

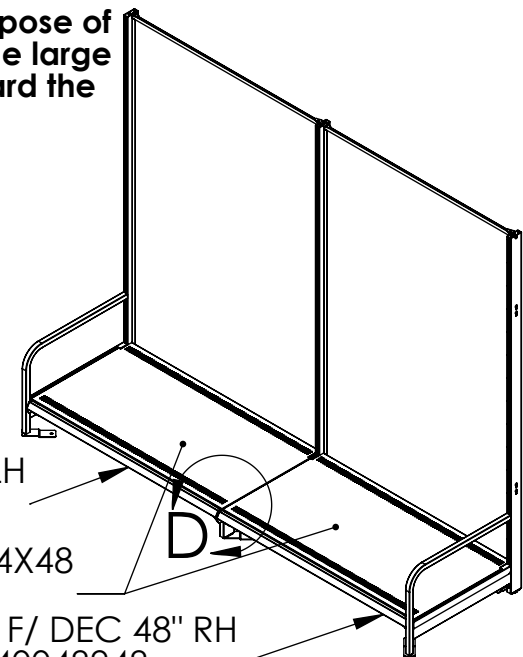


STEP 6. Install decks for the purpose of squaring up the unit. The large corner notches go toward the rear.



DETAIL D

KICKPLATE F/ DEC 48" LH
P/N: 40049048
DECK PLATFORM DEC 24X48
P/N: 25055724



L.A. DARLING COMPANY

WALMART PART NO.
100550368

**ASSEMBLY
INSTRUCTIONS**

LAD. PART NO.
52732678IS

REV.
3

LAD. DESCRIPTION
END CAP DEEP 967824

Customer Service 1-800-682-5730

PAGE
3 OF 5

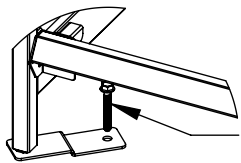
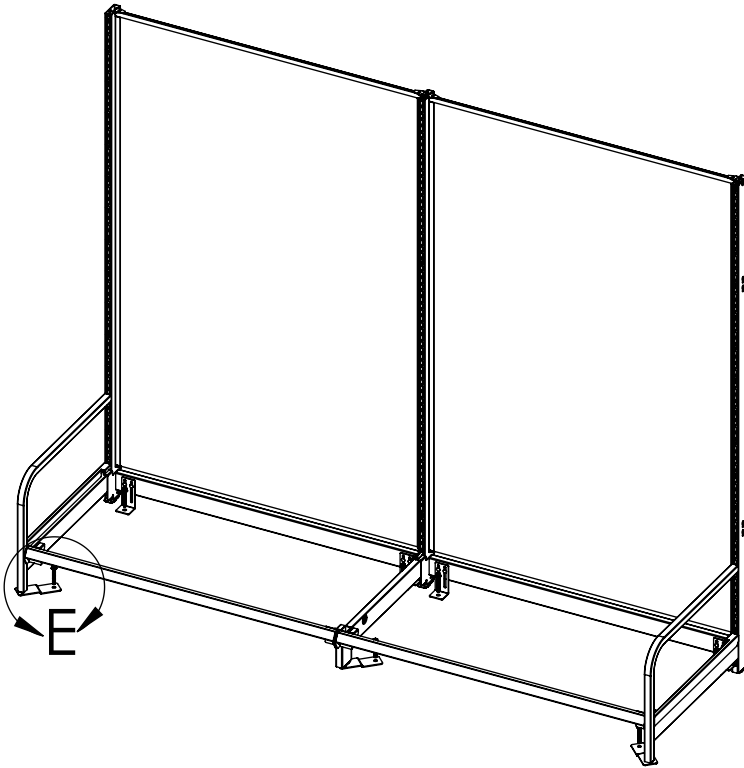
STEP 7. INSTALL ANCHOR BOLTS in seven places.
(Decks will need to be removed prior to this.)

* Drill bit used should be a 3/8" Dewalt Wedge-Bit 01332-PWR or equivalent that meets the tolerance requirements of ANSI standard B212.15.

STEP 8. Reinstall decks, placing the large notches toward the rear.

STEP 9. Install shelves in desired locations.

**This completes installation of LA Darling unit. See image for reference only.
See final page for parts list.**



DETAIL E

ANCHOR BOLT 3/8x2 1/2
P/N: 537883212
SAP#: 100626799 / 100626820 (50 -PACK)*

PANEL HDBD 46 11/16"x71 1/8"
P/N: 76908178

KICKPLATE F/ DEC 48" LH
P/N: 40049048

DECK PLATFORM DEC 24X48
P/N: 25055724

KICKPLATE F/ DEC 48" RH
P/N: 40048948

UPR HALF END LH 2478
P/N: 10250078

UPRIGHT HALF INTER 2478
P/N: 10249978

UPR HALF END RH 2478
P/N: 10250178

*NOTE! Anchor bolts are not provided in this kit.

L.A. DARLING COMPANY

WALMART PART NO.
100550368

**ASSEMBLY
INSTRUCTIONS**

LAD. PART NO.
52732678IS

REV.
3

LAD. DESCRIPTION
END CAP DEEP 967824

Customer Service 1-800-682-5730

PAGE
4 OF 5

LAD #: 52732678C215 WM SAP #: 100550368 END CAP DEEP 967824

ITEM	QTY	WM SAP #	LAD #	DESCRIPTION
1	1	100550682	10250078	UPR HALF END LH 2478
2	2	100063572	52448748	PALLET STOP 48"
3	1		10249978	UPRIGHT HALF INTER 2478
4	1	100550683	10250178	UPR HALF END RH 2478
5	2	100062818	76908178	PANEL HDBD 46 11/16"×71 1/8"
6	2	100037898	87220848	RETAINER TOP PANEL 48"
7	1		40049048	KICKPLATE F/ DEC 48" LH
8	2	100063522	25055724	DECK PLATFORM DEC 24X48
9	1	NA	40048948	KICKPLATE F/ DEC 48" RH

L.A. DARLING COMPANY

WALMART PART NO.
100550368

**ASSEMBLY
INSTRUCTIONS**

LAD. PART NO.
52732678IS

REV.
3

LAD. DESCRIPTION
END CAP DEEP 967824

Customer Service 1-800-682-5730

PAGE
5 OF 5