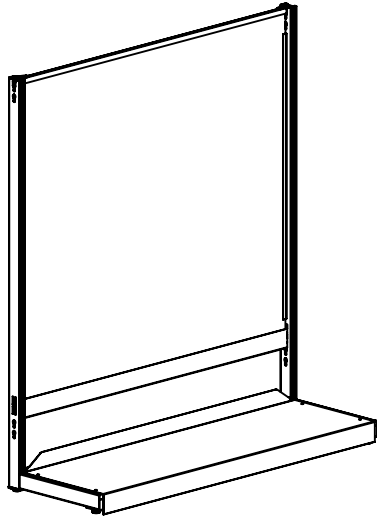


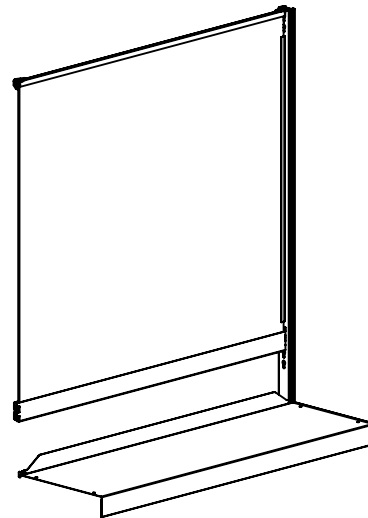
SAP # 100706801  
HALF TSYS STR 1854



Walmart Part No. **100706801**  
**100706802**

Walmart Description  
**HALF TSYS STR 1854**  
**HALF TSYS AO 1854**

SAP # 100706802  
HALF TSYS AO 1854



Scan QR code or visit [www.ladarling.com/Beauty-T-Sys-with-leg-covers/](http://www.ladarling.com/Beauty-T-Sys-with-leg-covers/) for the latest copy of the instruction sheets.

**LA DARLING**

REDEFINE. RETHINK. RETAIL SOLUTIONS.

LAD DESCRIPTION

HALF T-SYSTEM W/ HDBD 1854

LAD PART NO.  
354553IS

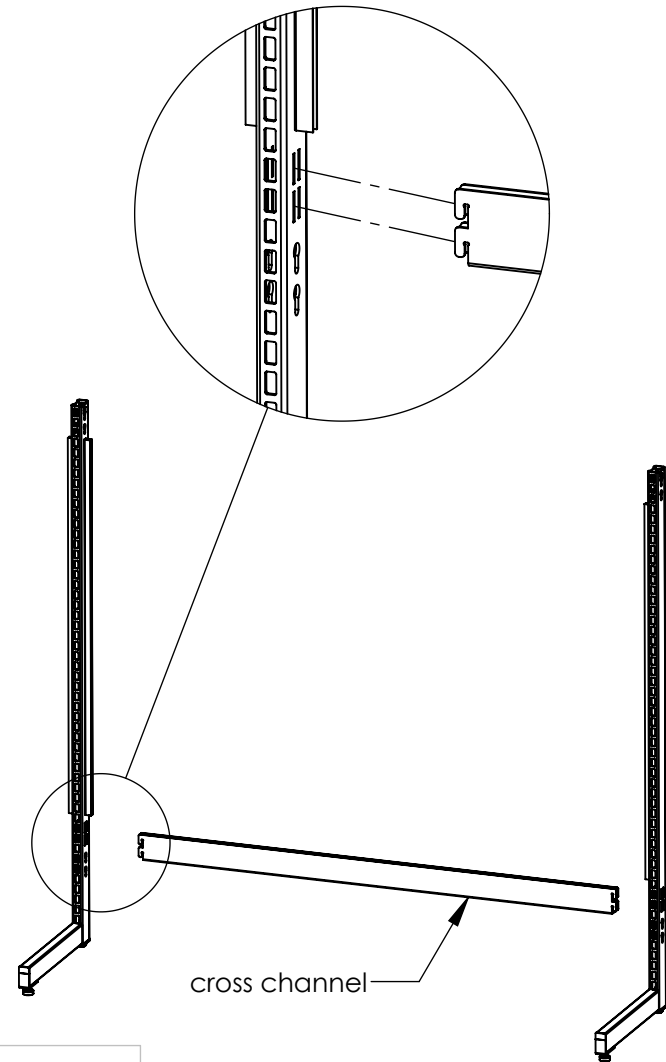
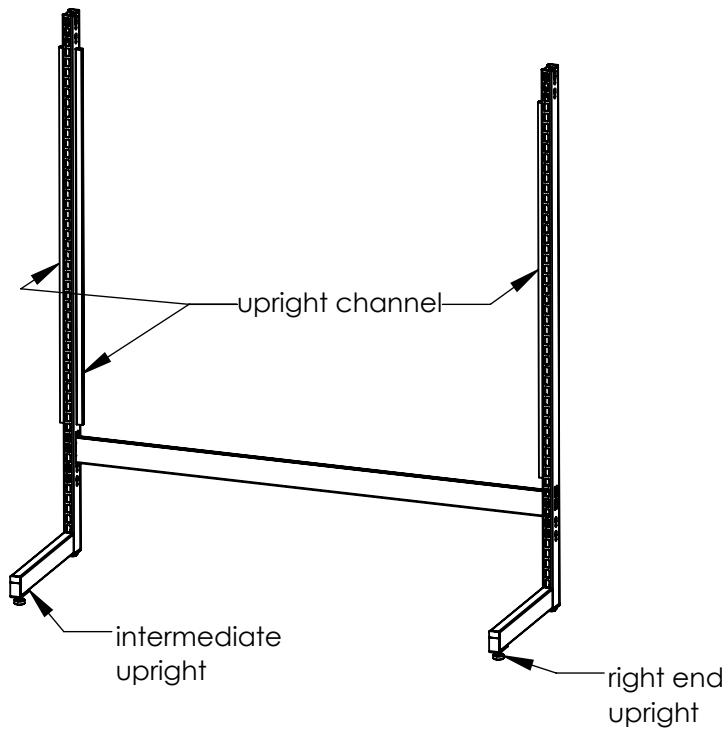
REV.	BY	DATE
1	RP	4/23/24

Customer Service 1-800-682-5730

PAGE  
1 OF 4

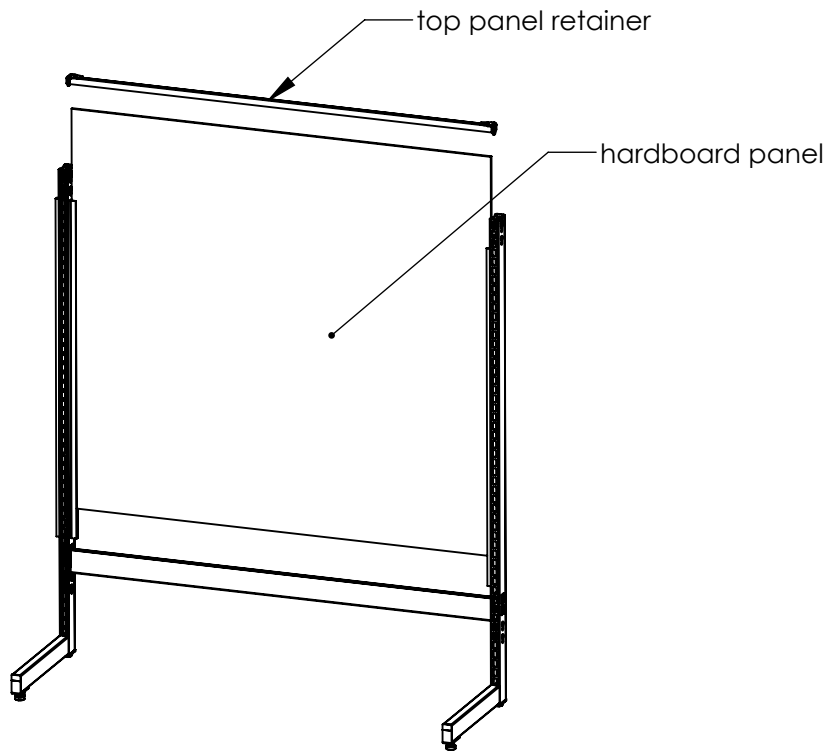
Step 1: Hold uprights about 48" apart with levelers resting on the floor and the channels facing each other.

Step 2: Insert tabs of cross channel into slots at bottom of uprights. Seat in place by tapping on each end of cross channel.

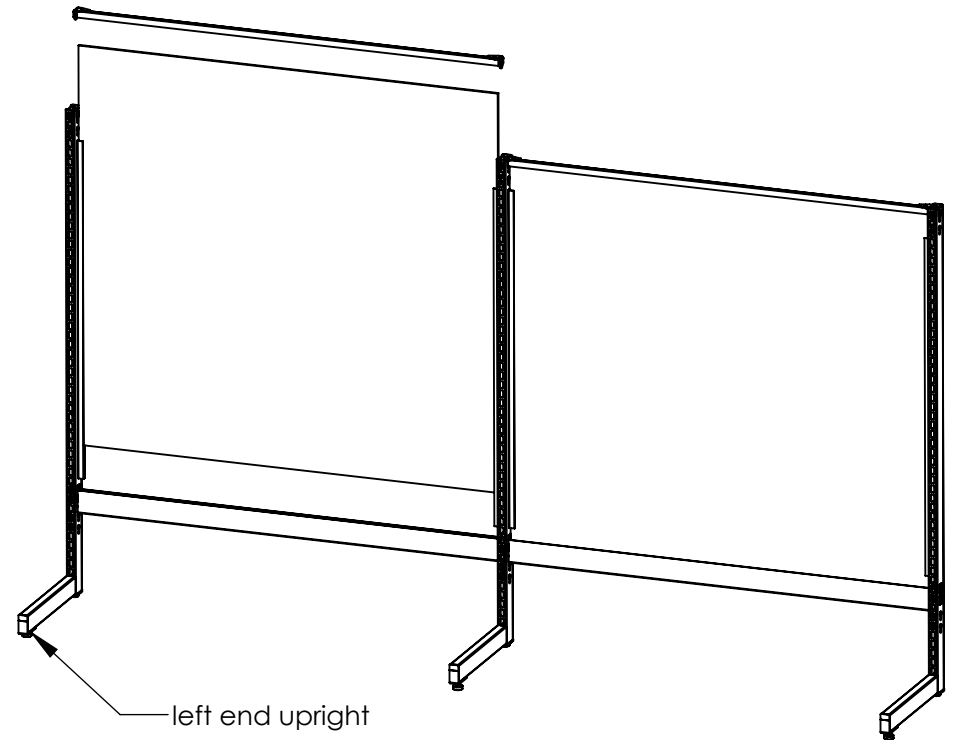


Step 3: Slide hardboard panel into channels on uprights and cross channel.

Step 4: Assemble top panel retainer between uprights, ensuring hardboard panel fits into channel. Push down until the projections "pop" onto uprights.



Step 5: Continue building full length of t-system. Last upright installed should be an end upright.



Step 6: Install deck cover hooks into bottom slot on upright.

