

**LADARLING**

REDEFINE. RETHINK. RETAIL SOLUTIONS.

**ASSEMBLY  
INSTRUCTIONS**

LAD. PART NO.  
53804378

REV.  
1

WALMART PART NO.  
**100550356**

LAD. DESCRIPTION  
END CAP DEEP 487848

Customer Service 1-800-682-5730

PAGE  
1

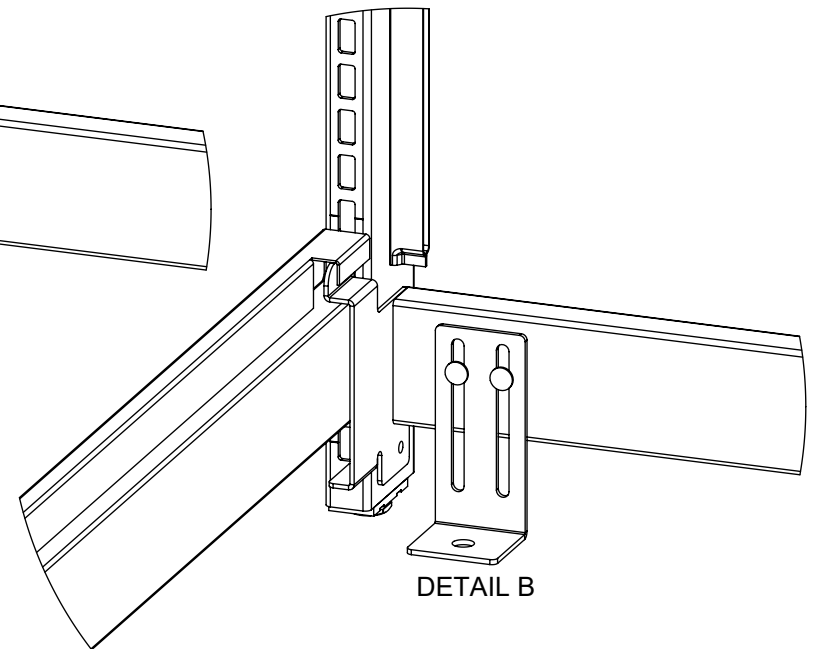
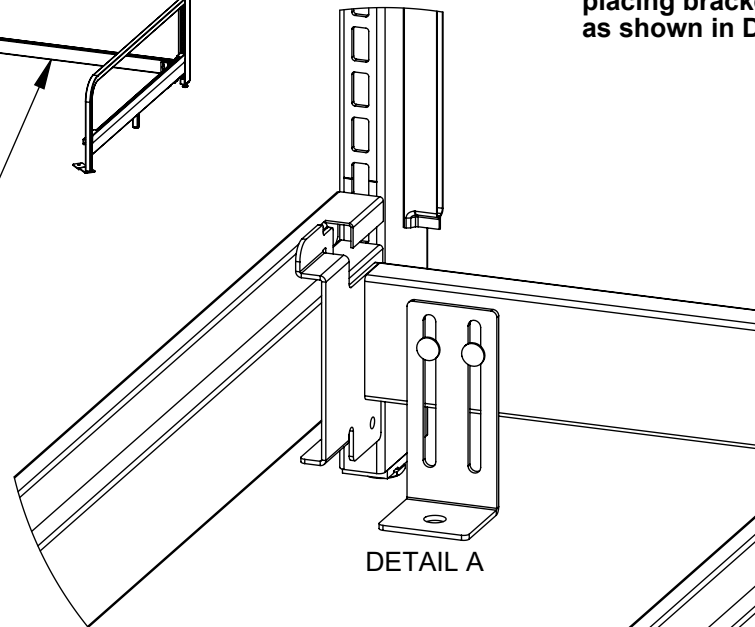
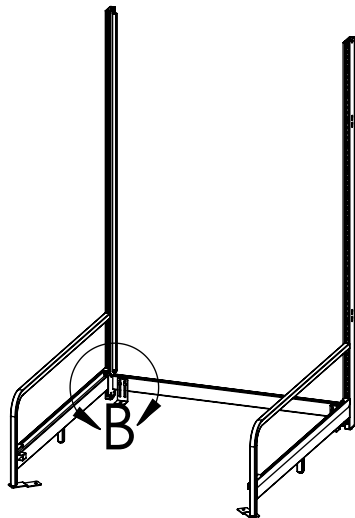
UPR HALF END LH 4878  
P/N: 10223078

UPR HALF END RH 4878  
P/N: 10222978

PALLET STOP 48"  
P/N: 52448748

**STEP 1.** Extend rear leveler on bottom of half uprights approximately 1/2".

**STEP 2.** Stand (1) left-hand end upright and (1) right-hand end upright. Install a pallet stop between the two uprights by placing bracket hooks into first slot above base leg (under filler) as shown in Detail A & B.



**LADARLING**

REDEFINE. RETHINK. RETAIL SOLUTIONS.

**ASSEMBLY  
INSTRUCTIONS**

LAD. PART NO.  
53804378

REV.  
1

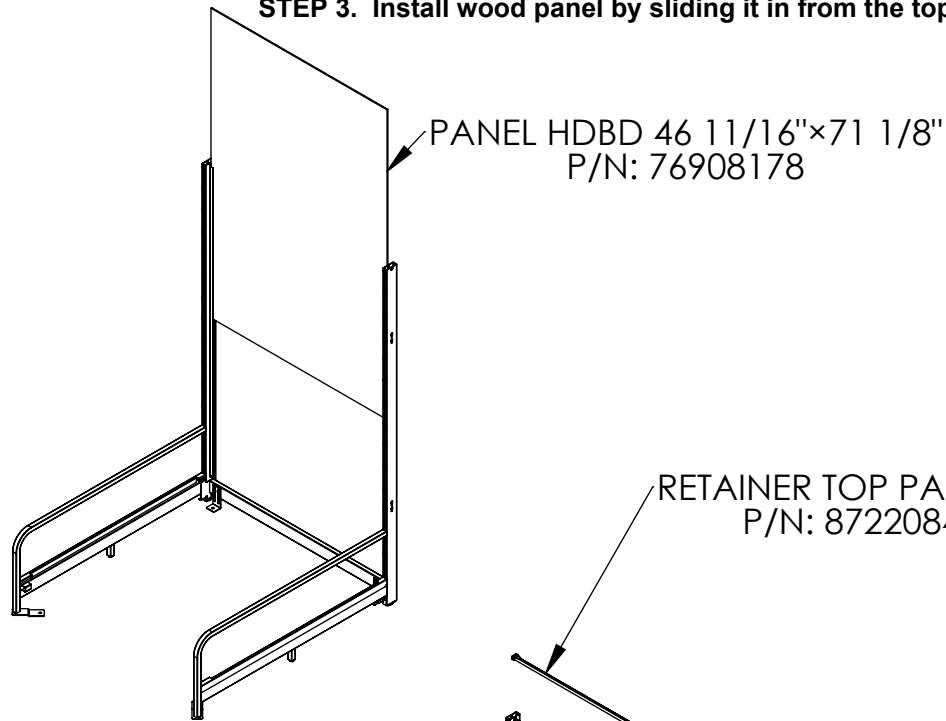
LAD. DESCRIPTION  
END CAP DEEP 487848

WALMART PART NO.  
**100550356**

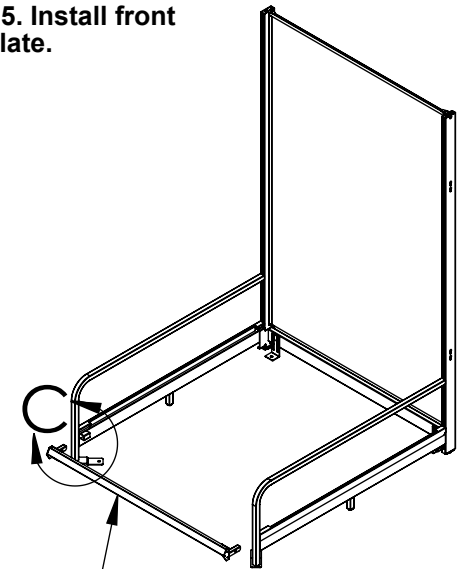
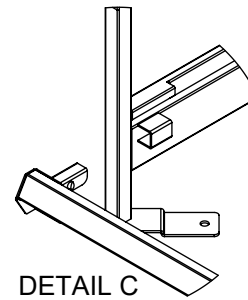
Customer Service 1-800-682-5730

PAGE  
2

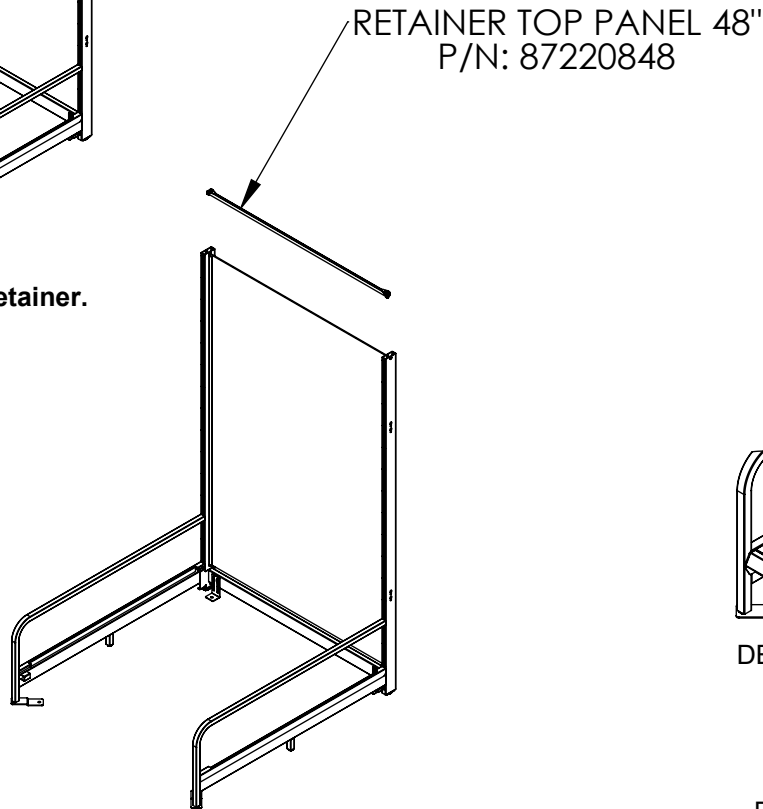
**STEP 3. Install wood panel by sliding it in from the top.**



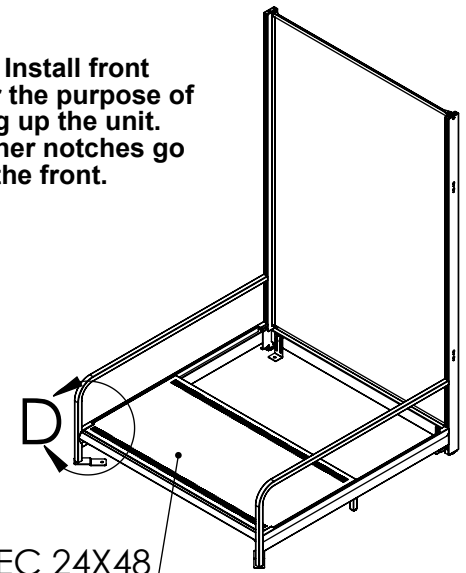
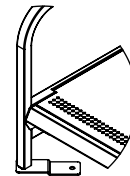
**STEP 5. Install front kick plate.**



**STEP 4. Install top panel retainer.**



**STEP 6. Install front deck for the purpose of squaring up the unit. The corner notches go toward the front.**



**LA DARLING**

REDEFINE. RETHINK. RETAIL SOLUTIONS.

**ASSEMBLY INSTRUCTIONS**

LAD. PART NO.  
53804378

REV.  
1

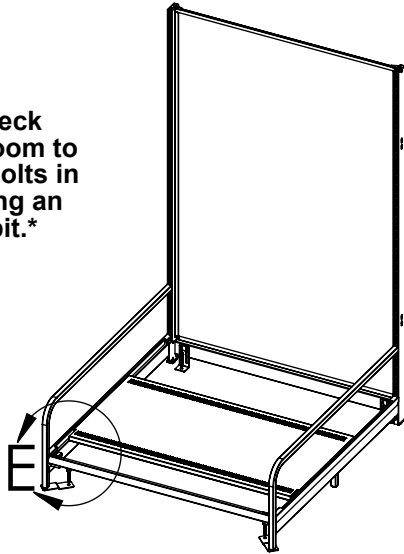
LAD. DESCRIPTION  
END CAP DEEP 487848

WALMART PART NO.  
**100550356**

Customer Service 1-800-682-5730

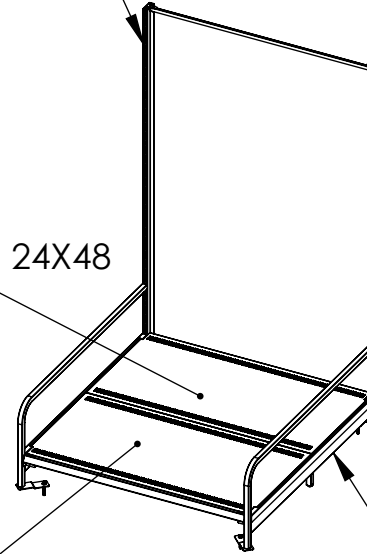
PAGE  
3

**STEP 7. Slide deck back to allow room to install anchor bolts in four places using an approved drill bit.\***



UPR HALF END LH 4878  
P/N: 10223078

DECK PLATFORM DEC 24X48  
P/N: 25055724



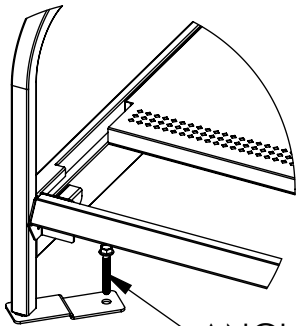
UPR HALF END RH 4878  
P/N: 10222978

DECK PLATFORM DEC 24X48  
P/N: 25055724

**STEP 8. Slide front deck back in position and install rear deck (same part number) placing the notches toward the rear.**

**Install shelves in desired locations.**

\* Drill bit used should be a 3/8" Dewalt Wedge-Bit 01332-PWR or equivalent that meets the tolerance requirements of ANSI standard B212.15.



DETAIL E ANCHOR BOLT 3/8×2 1/2  
P/N: 537883212  
SAP# 100626799/  
100626820(50-PACK) \*

\*NOTE! Anchor bolts are not provided in this kit.

**LA DARLING**

REDEFINE. RETHINK. RETAIL SOLUTIONS.

**ASSEMBLY INSTRUCTIONS**

LAD. PART NO.  
53804378

REV.  
1

LAD. DESCRIPTION  
END CAP DEEP 487848

WALMART PART NO.  
**100550356**

Customer Service 1-800-682-5730

PAGE  
4

**LAD# 53804378C215 WMT SAP# 100550356 END CAP DEEP 487848**

ITEM NO.	QTY	WMT SAP #	LAD PART #	DESCRIPTION
1	2	100063522	25055724C215	DECK PLATFORM DEC 24X48
2	1	100554761	10222978C215	UPR HALF END RH 4878
3	1	100554755	10223078C215	UPR HALF END LH 4878
4	1	100552730	76908178W215	PANEL HDBD 46 11/16"×71 1/8" GRAY 2/S
5	1	100037898	87220848C215	RETAINER TOP PANEL 48"
6	1	100554770	40049348C215	KICKPLATE F/ DEC 48"
7	1	100063572	52448748C215	PALLET STOP 48"

**LADARLING**

REDEFINE. RETHINK. RETAIL SOLUTIONS.

**ASSEMBLY  
INSTRUCTIONS**

WALMART PART NO.

**100550356**

LAD. PART NO.  
53804378

REV.  
1

LAD. DESCRIPTION  
END CAP DEEP 487848

Customer Service 1-800-682-5730

PAGE  
5