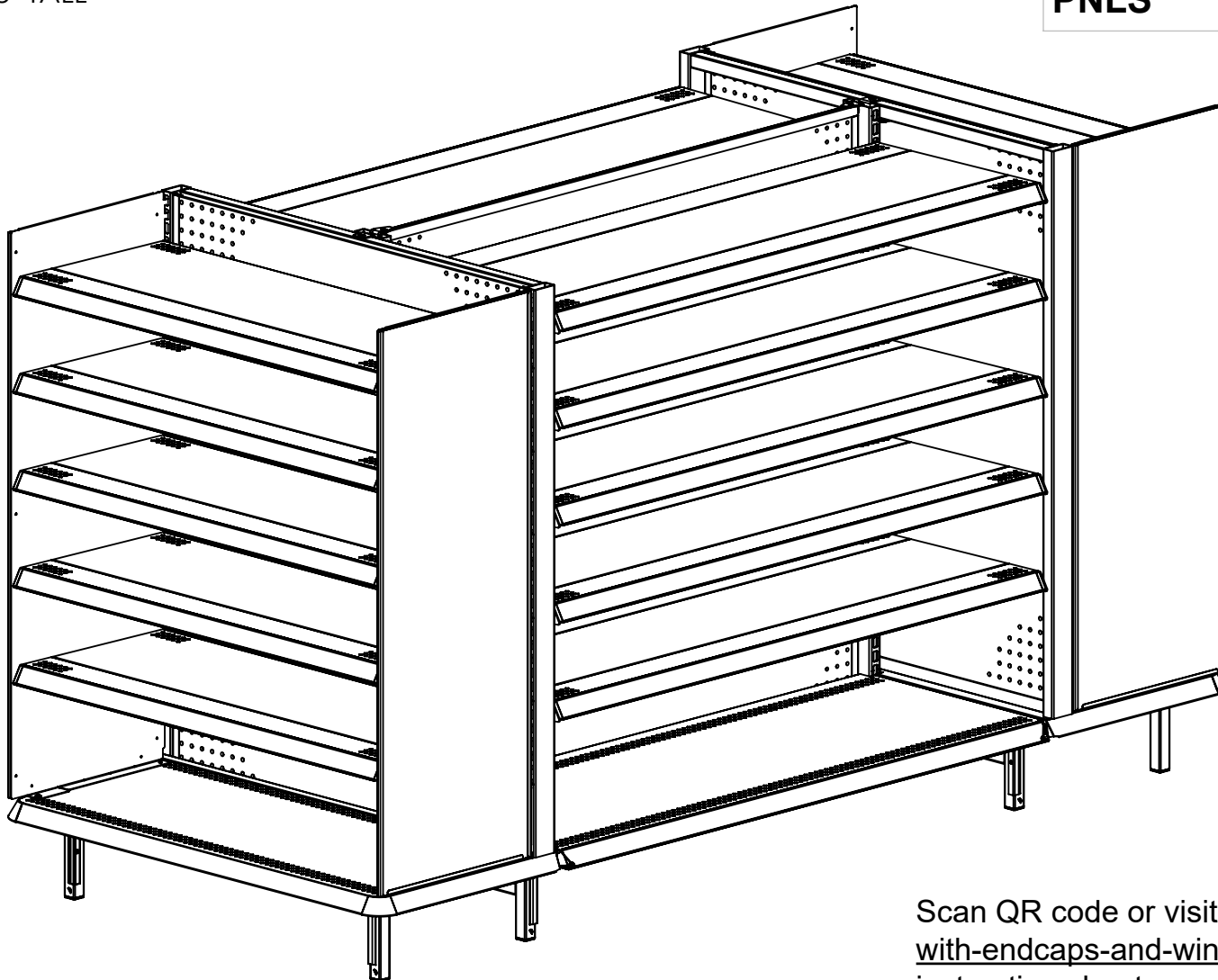


ASSEMBLY INSTRUCTIONS
 GONDOLA WITH ENDCAPS
 84" LONG
 36" WIDE
 48" TALL

Walmart Part No. **100709502**

Walmart Description

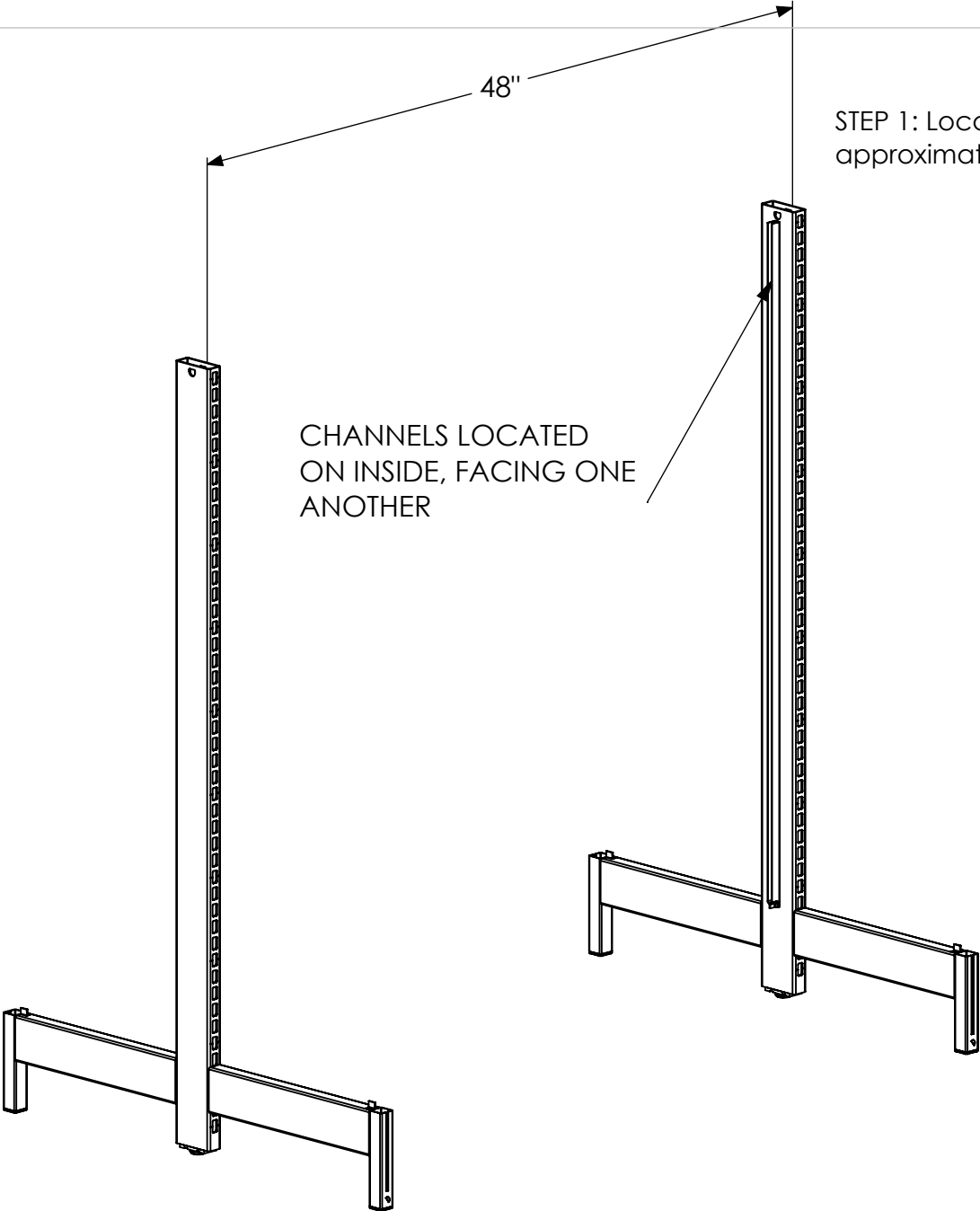
**3648 GONDOLA 4FTW/EC WING
 PNLS**



Scan QR code or visit www.ladarling.com/3648-Gondola-with-endcaps-and-wings/ for a digital copy of the instruction sheets.

INSTALL UPRIGHTS

STEP 1: Locate uprights and place in the general location of installation, approximately 48" apart.



LA DARLING

REDEFINE. RETHINK. RETAIL SOLUTIONS.

LAD DESCRIPTION			
3648 GONDOLA 4' W/ EC & WING PANELS			
LAD PART NO.	REV.	BY	DATE
354484IS	1	JH	07/22/24

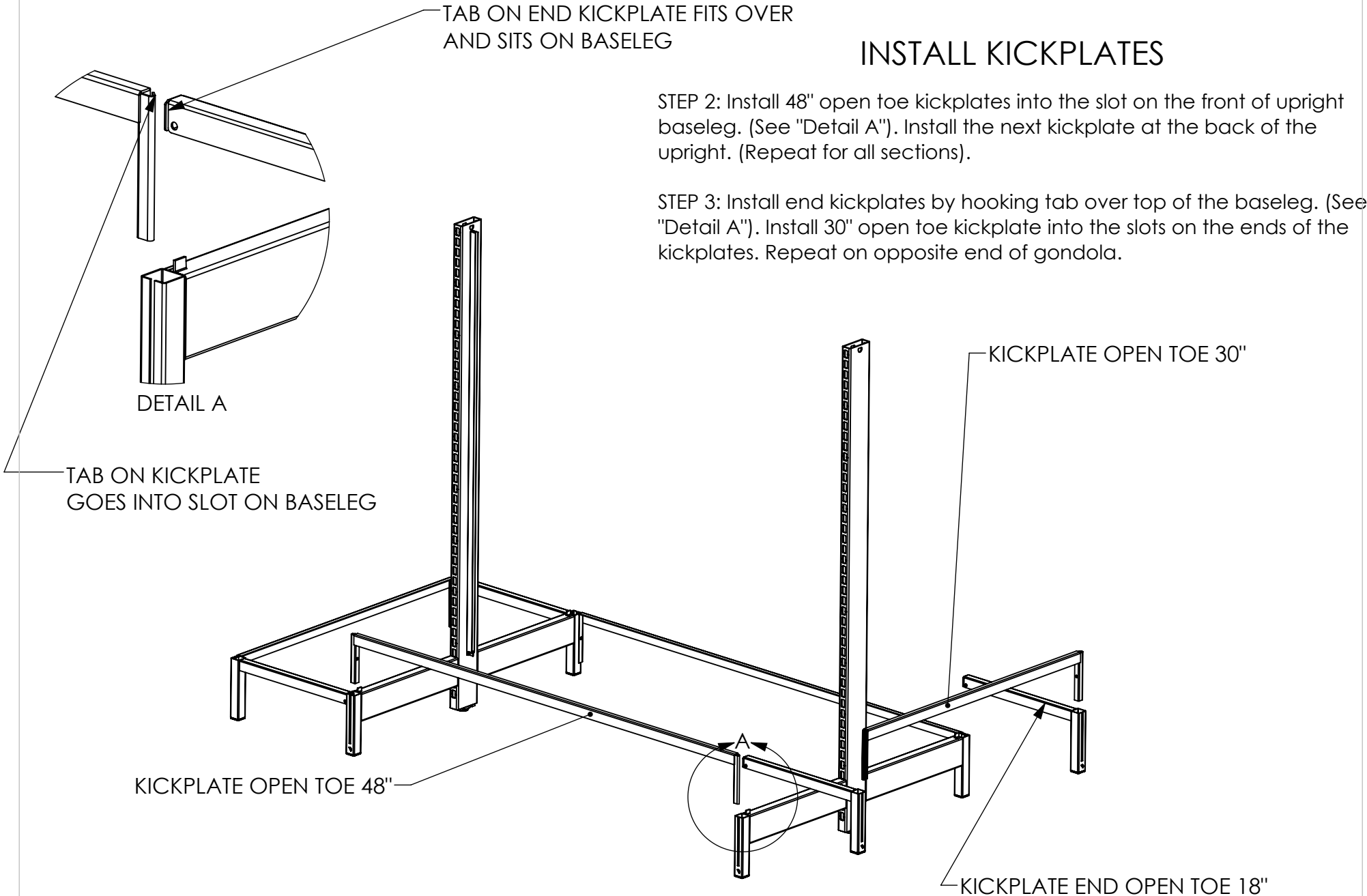
Customer Service 1-800-682-5730

PAGE 2 OF 8

INSTALL KICKPLATES

STEP 2: Install 48" open toe kickplates into the slot on the front of upright baseleg. (See "Detail A"). Install the next kickplate at the back of the upright. (Repeat for all sections).

STEP 3: Install end kickplates by hooking tab over top of the baseleg. (See "Detail A"). Install 30" open toe kickplate into the slots on the ends of the kickplates. Repeat on opposite end of gondola.



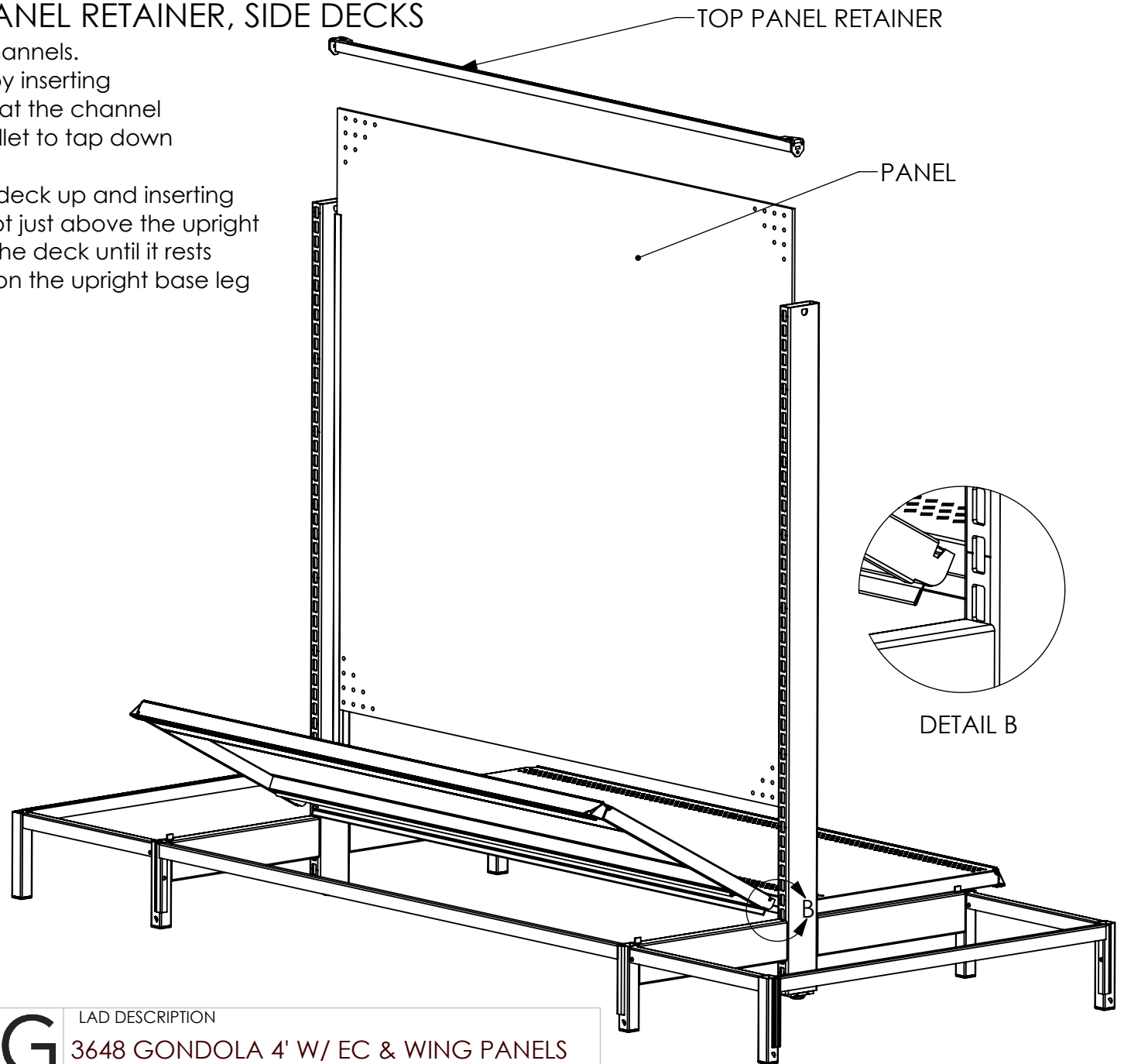
LAD DESCRIPTION		
3648 GONDOLA 4' W/ EC & WING PANELS		
LAD PART NO.	REV.	BY
354484IS	1	JH
	DATE	
	07/22/24	

INSTALL INLINE PANEL, PANEL RETAINER, SIDE DECKS

STEP 4: Slide panel into upright channels.

STEP 5: Install top panel retainer by inserting tabs into top of upright. Ensure that the channel is centered and use a rubber mallet to tap down to complete retainer installation.

STEP 6: Install the Decks by tilting deck up and inserting hook on back of deck into the slot just above the upright base leg. (See "Detail B"). Lower the deck until it rests on base legs and between tabs on the upright base leg tubes.



LA DARLING

REDEFINE. RETHINK. RETAIL SOLUTIONS.

LAD DESCRIPTION

3648 GONDOLA 4' W/ EC & WING PANELS

LAD PART NO.

354484IS

REV.

1

BY

JH

DATE

07/22/24

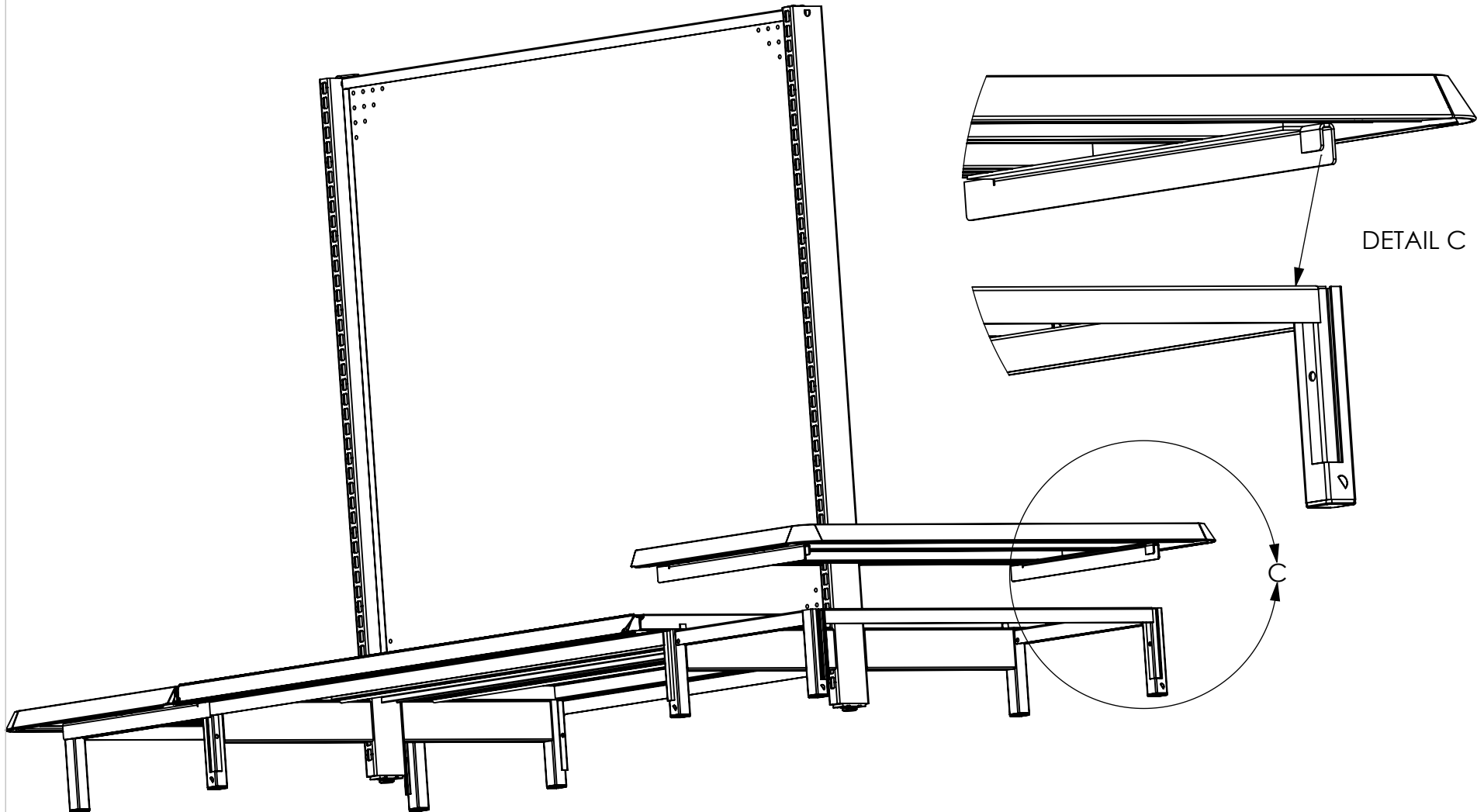
Customer Service 1-800-682-5730

PAGE

4 OF 8

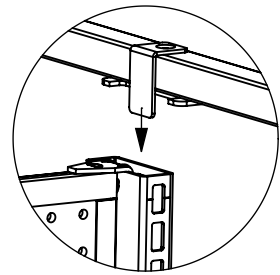
INSTALL END DECKS

STEP 7: Rotate end base decks (these don't have hooks). Make sure deck fully seats onto Side Kickplates (See Detail "C").

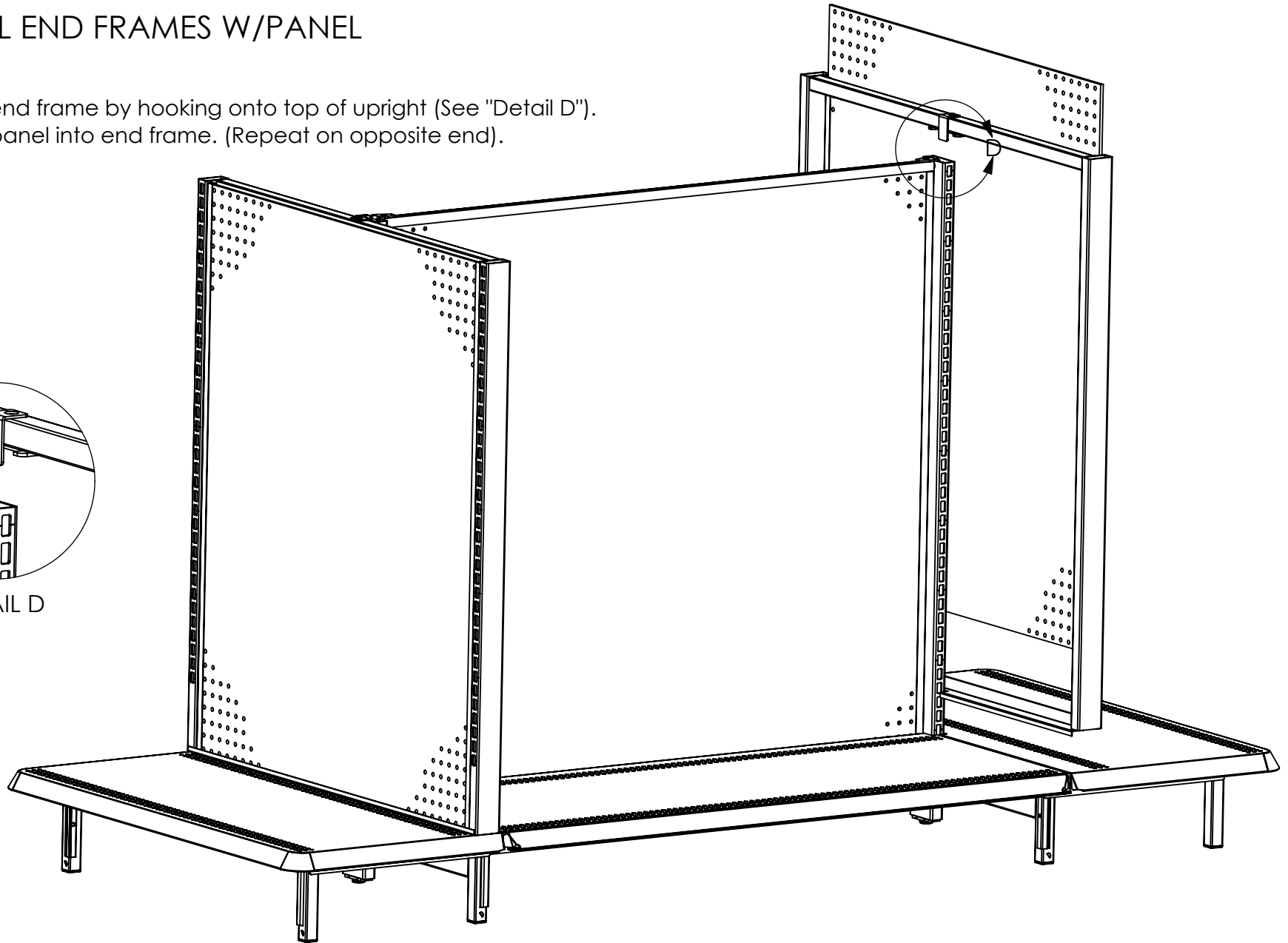


INSTALL END FRAMES W/PANEL

STEP 8: Install end frame by hooking onto top of upright (See "Detail D").
STEP 9: Install panel into end frame. (Repeat on opposite end).



DETAIL D

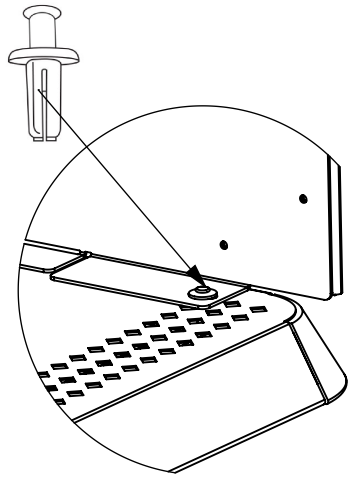


INSTALL SHELVES AND WING PANELS

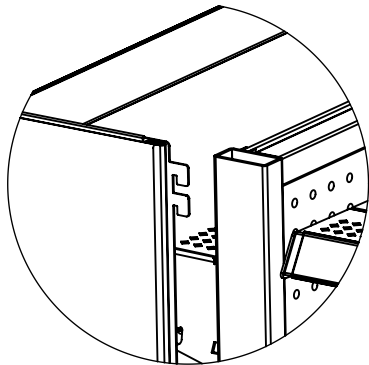
STEP 10: Install (10) slant nose 1648 shelves on uprights and (10) 1436 shelves on end frames.

STEP 11: Install wing panels (4) onto end uprights. Notice "Detail E" hooks into slots on uprights.

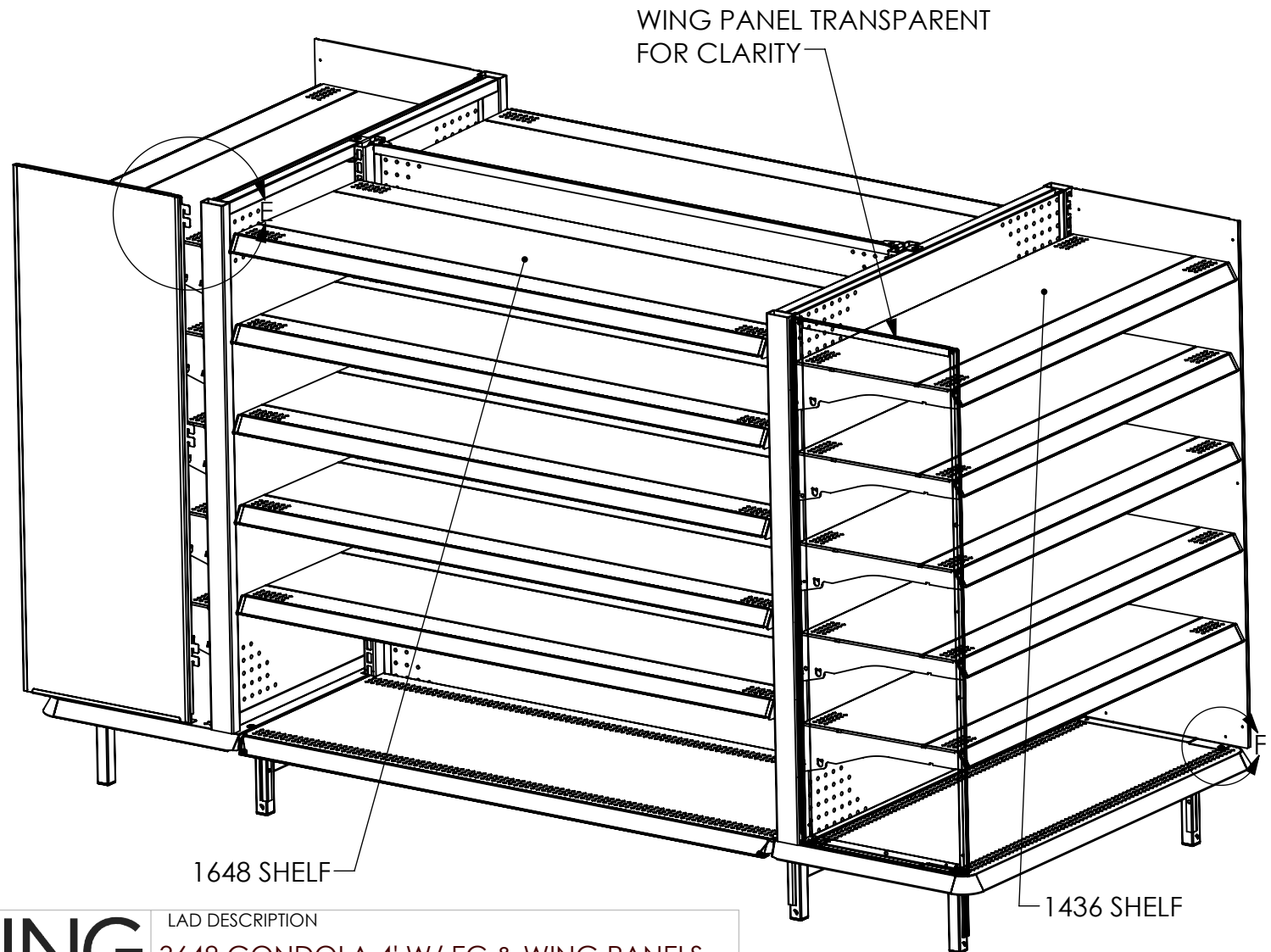
STEP 12: Secure wing panels with Perf Shelf Fastener (Detail "F"), attaching panels to base deck using diamond holes.



DETAIL F



DETAIL E



LA DARLING

REDEFINE. RETHINK. RETAIL SOLUTIONS.

LAD DESCRIPTION

3648 GONDOLA 4' W/ EC & WING PANELS

LAD PART NO.

354484IS

REV.

1

BY

JH

DATE

07/22/24

Customer Service 1-800-682-5730

PAGE

7 OF 8

ITEM NO.	QTY.	PART NUMBER	WM SAP Number	DESCRIPTION	FINISH
1	2	10090707	100064894	UPR FULL SGL-TRK END 3648	PTC
2	2	89123217TS	100022220	DECK SLANT NOSE SIDE W/ TKT 1848	PTC
3	1	93699148	100015061	PEGBD PNL 41 1/8 X 46 11/16	PTD
4	1	87220848	100037898	RETAINER TOP PANEL 48"	PTC
5	2	40019504	100031772	KICKPLATE OPEN TOE 48"	PTC
6	2	40019502	100031772	KICKPLATE OPEN TOE 30"	PTC
7	4	40061018	100570138	KICKPLATE END OPEN TOE 18" UNIVERSAL	PTC
8	2	89106836	100022172	DECK SLANT NOSE END 1836	PTC
9	2	15041304	100662895	END FRAME GOND W/KEYSLOTS 3648	PTC
10	10	DSW1436TS	100674472	SHELF SLANT NOSE 1436 W/ TS	PTC
11	10	DSW1648TS	100064702	SHELF SLANT NOSE 1648 W/ TS	PTC
12	2	15155148L	100693673	WING PANEL W/ GRAPHIC LH 1548	PTC
13	2	15155148R	100693674	WING PANEL W/ GRAPHIC RH 1548	PTC