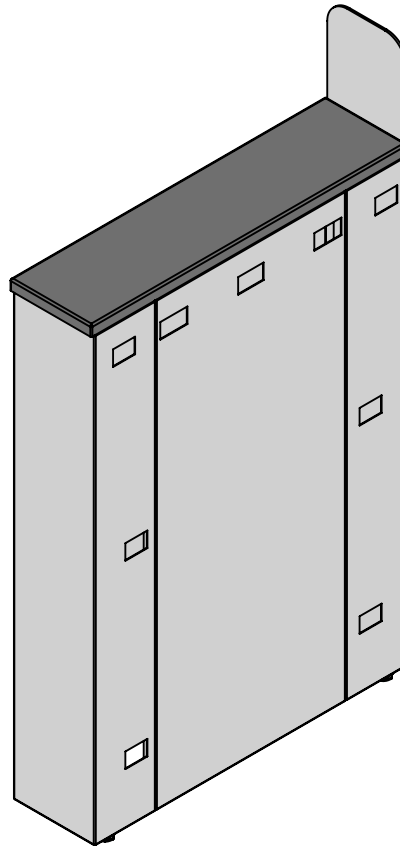


6IN. COOLER CABINET ASSEMBLY INSTRUCTIONS

Walmart Part #: 100732827

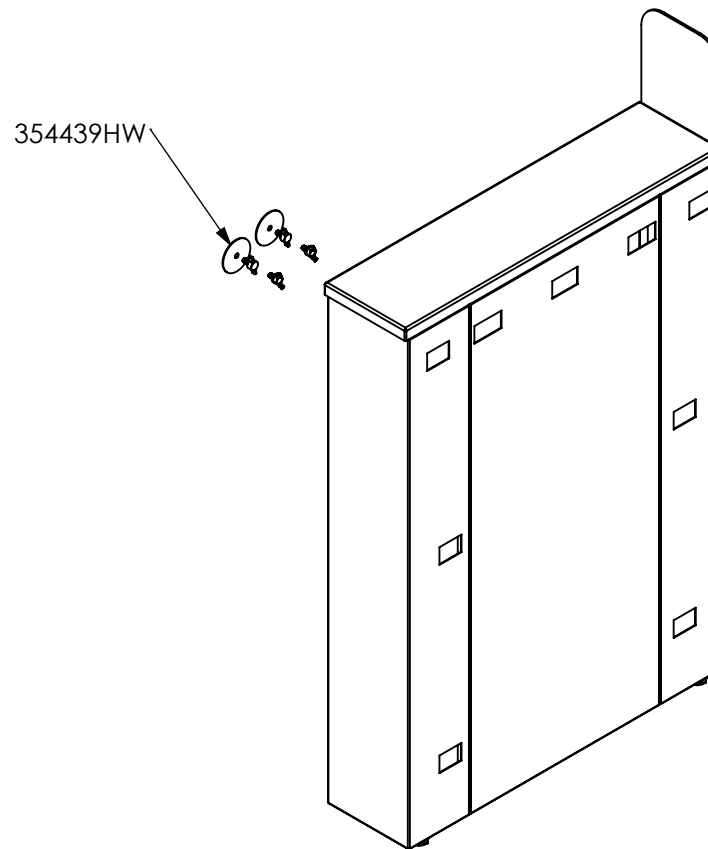
Walmart Description: 6IN. COOLER CABINET



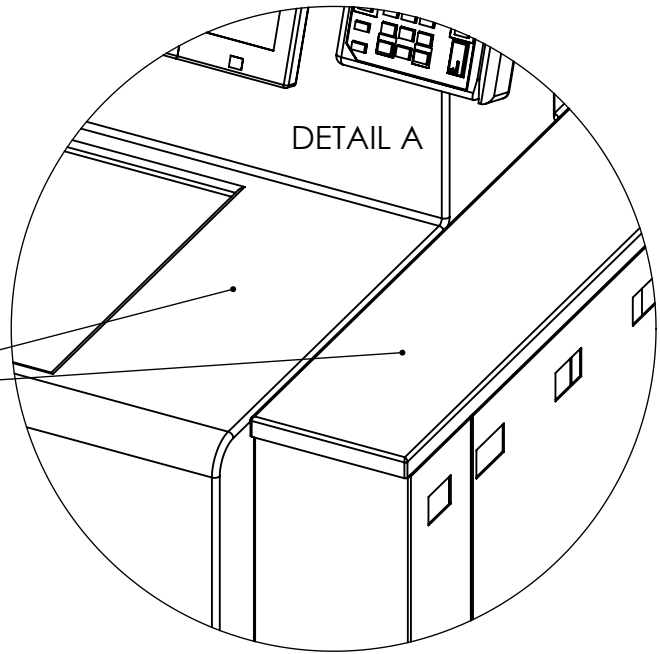
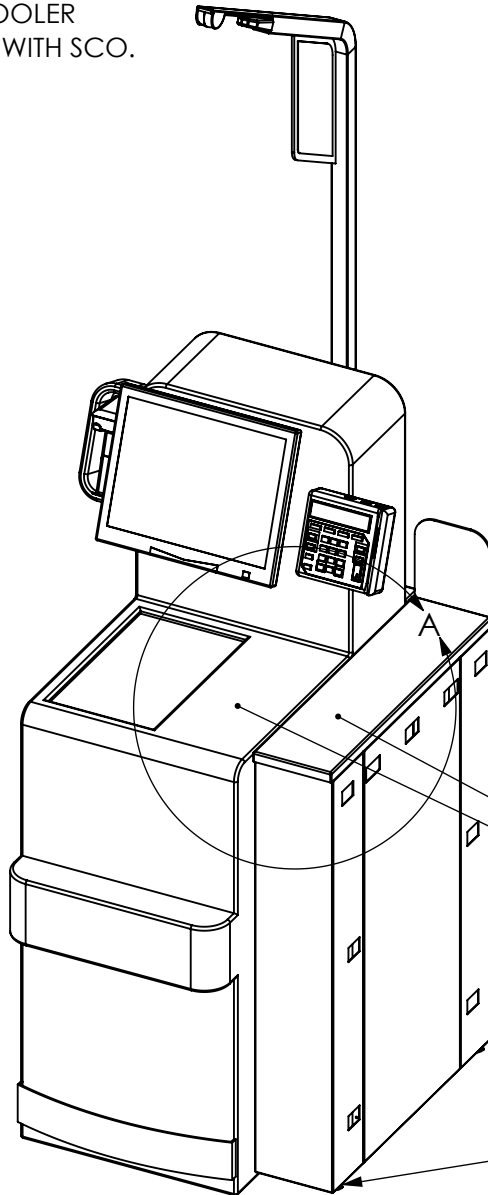
Scan the QR code or visit
www.ladarling.com/installation-instructions/6in.cooler-SCO-cabinet/
 for the digital copy of the instruction sheets.

STEP 1: DETERMINE WHICH SIDE OF SCO
FOR ORIENTATION (LH/RH INSTALL).

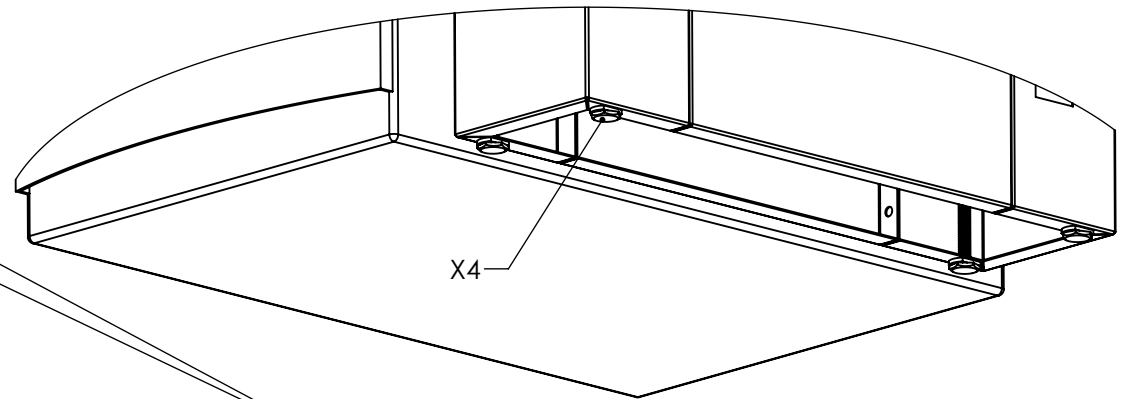
STEP 2: LOCATE HARDWARE KIT.



STEP 3: SET AND
LEVEL COOLER
CABINET WITH SCO.



TOPS LEVEL
WITH EACH
OTHER.

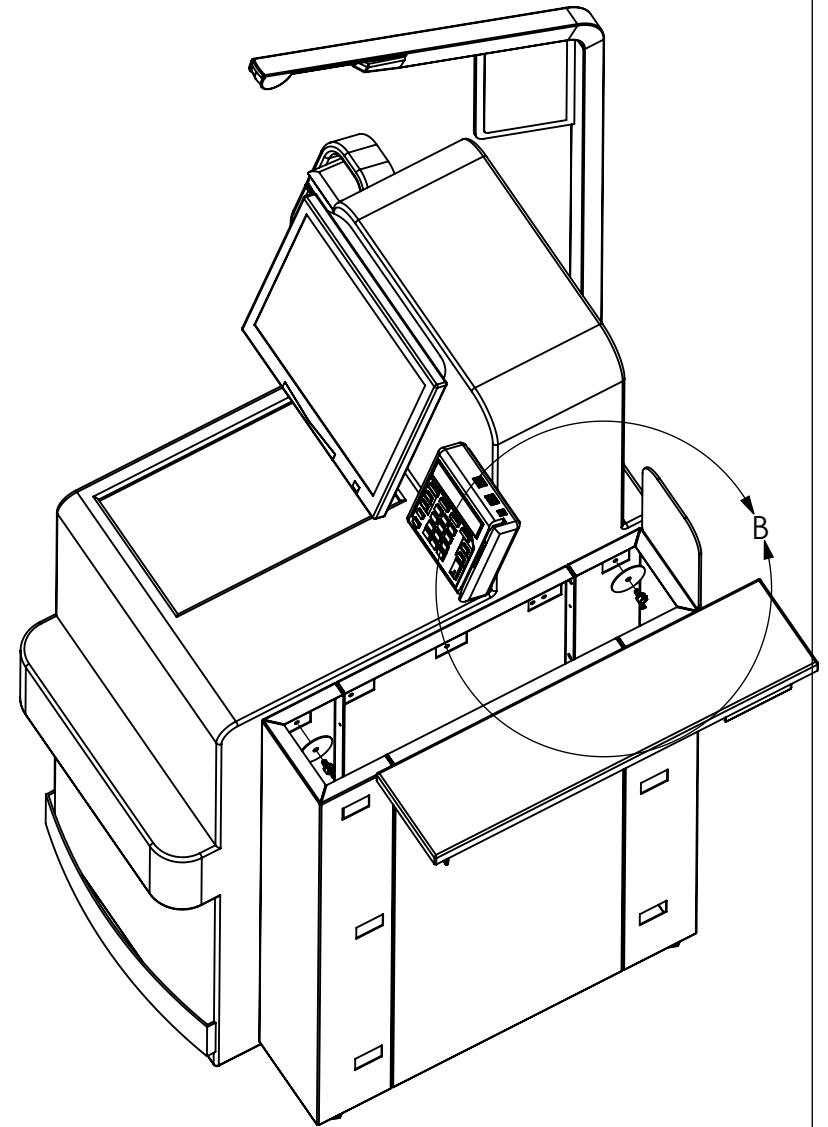
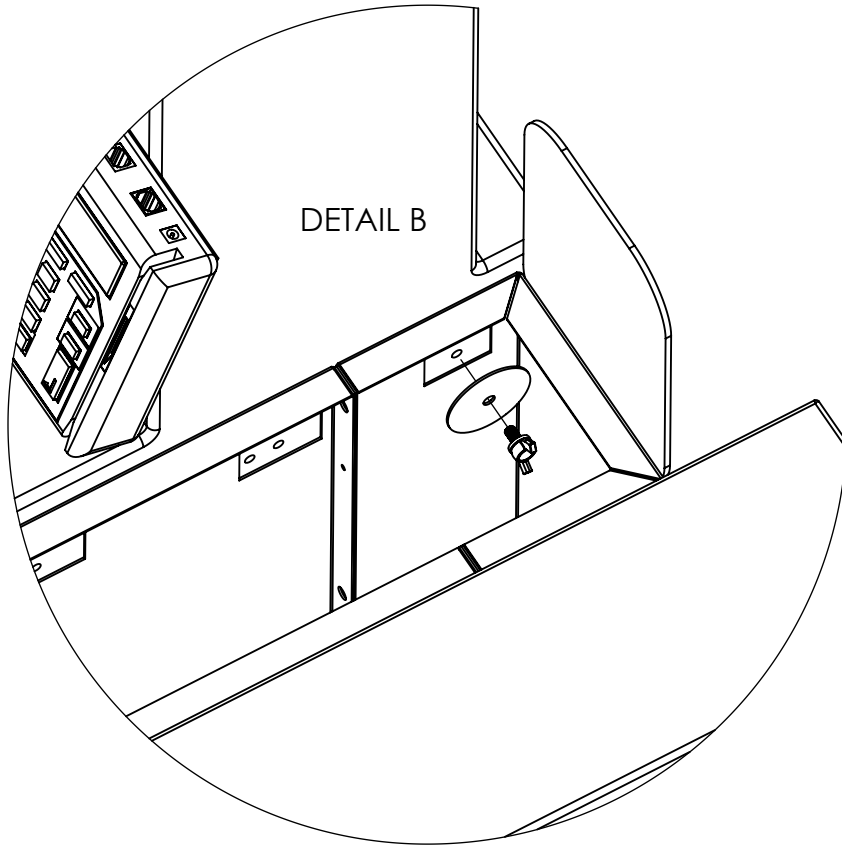


X4

SET COOLER CABINET INTO PLACE (RH SHOWN)
AND LEVEL TOP OF COOLER CABINET
WITH TABLE TOP OF SCO UNIT BY ADJUSTING
(4) FLOOR LEVELERS.

STEP 4: REMOVE LID FROM COOLER CABINET.

STEP 5: REMOVE DESIRED SCO HOLE
COVERS AND ATTACH COOLER CABINET
TO SCO WITH PROVIDED WASHERS AND WING NUTS.



STEP 6: REPLACE LID ONTO
COOLER CABINET.

