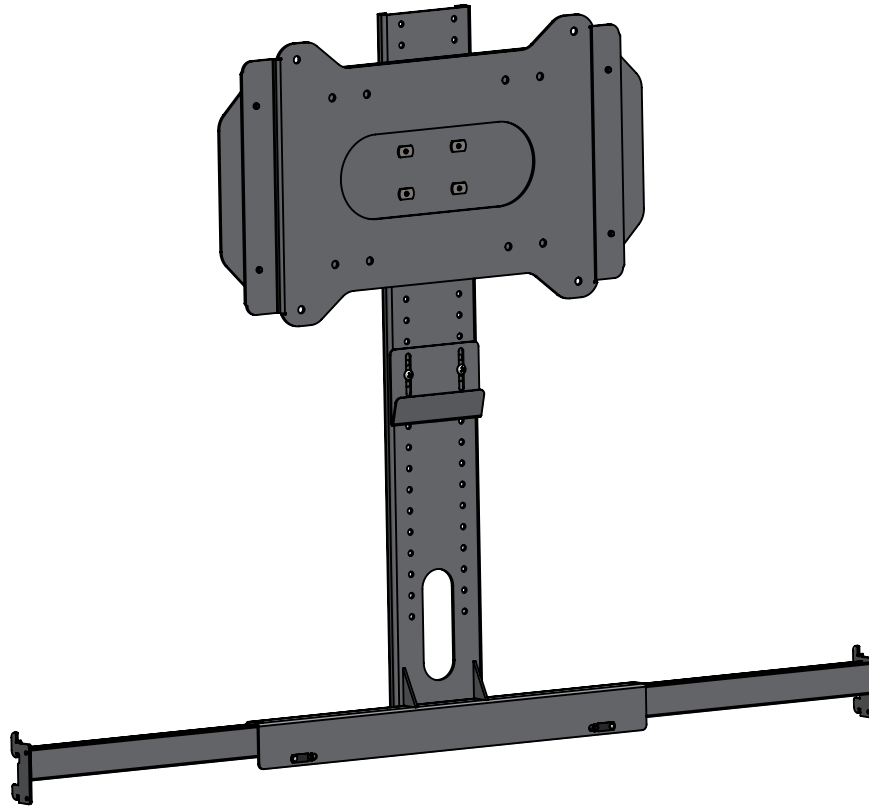


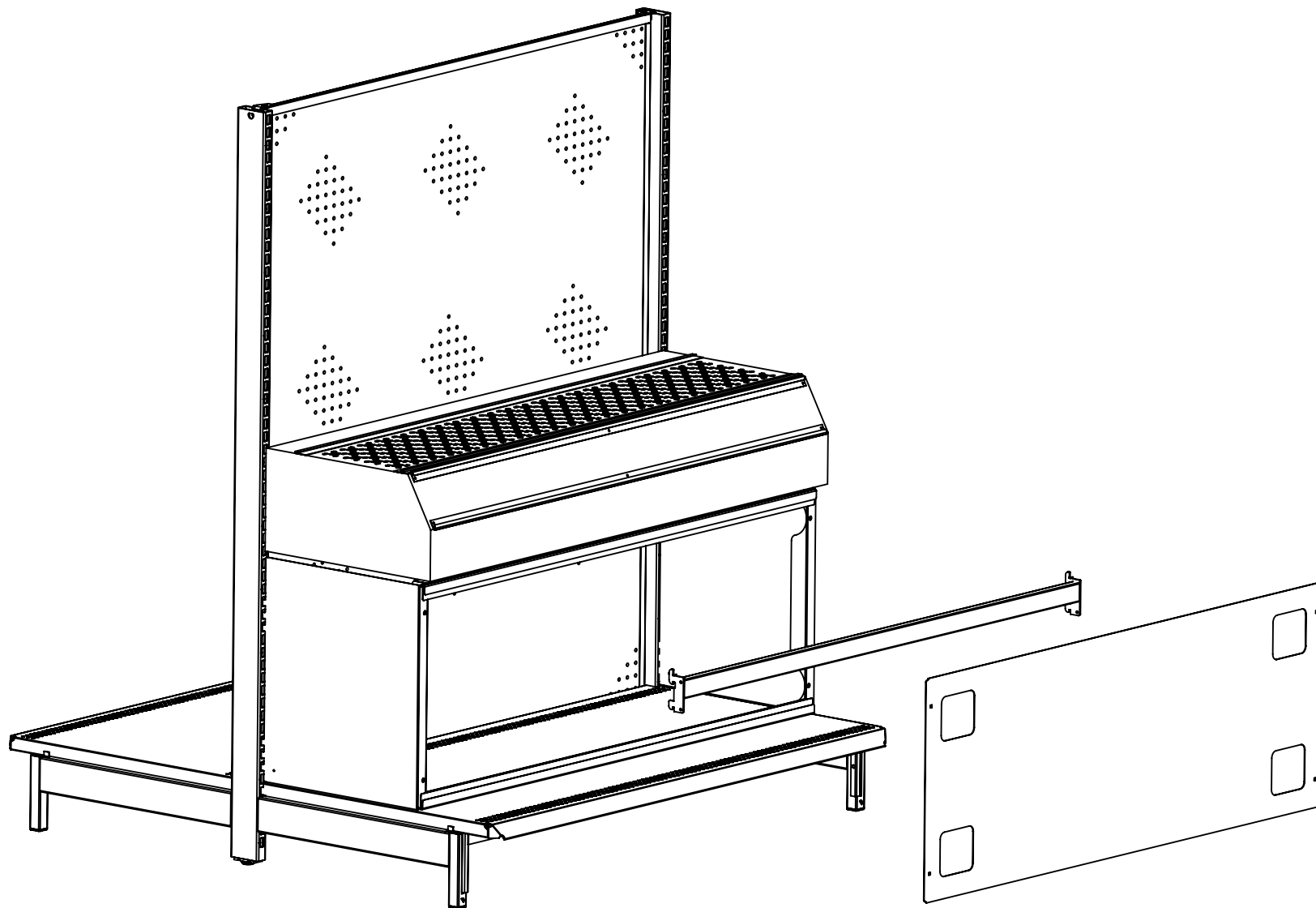
Walmart Part #: 100716434

Walmart Description: TV STAND

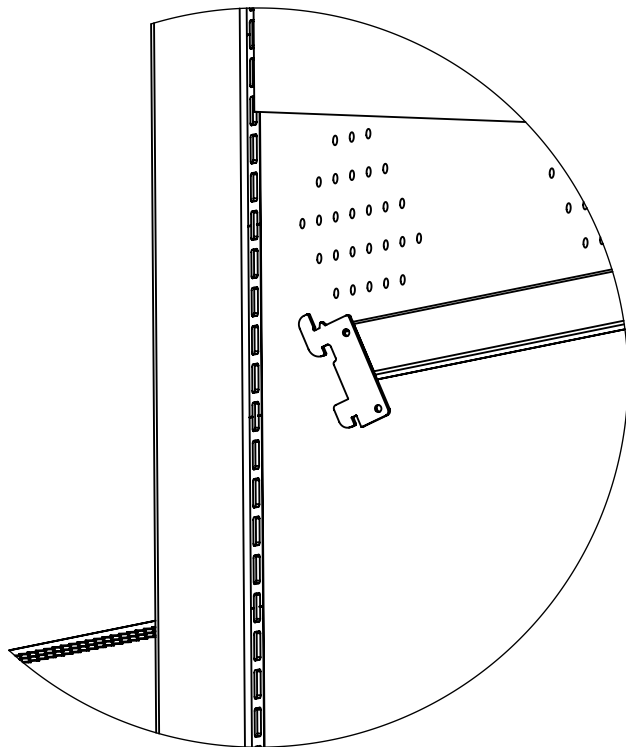


Scan the QR code or visit www.ladarling.com/TV-Stand/ for the digital copy of the instruction sheets.

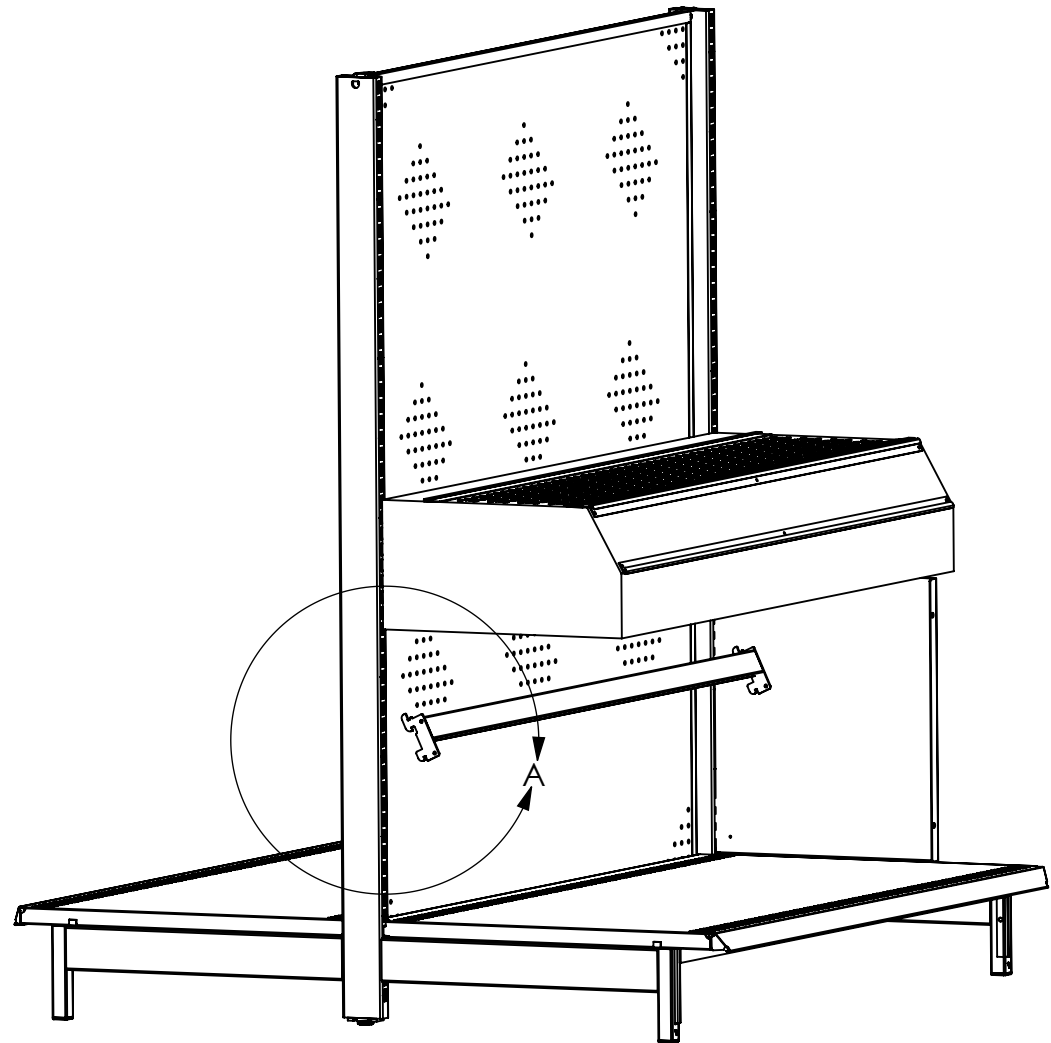
STEP 1: REMOVE FRONT PANEL OF LOWER ASSEMBLY. (IF REQUIRED).
STEP 2: LOCATE HANGBAR AND DETERMINE DESIRED HEIGHT FOR INSTALLATION.



STEP 3: ROTATE INTO GONDOLA SLOTS AND PRESS DOWN TO MAKE SURE BRACKET IS FULLY SEATED.

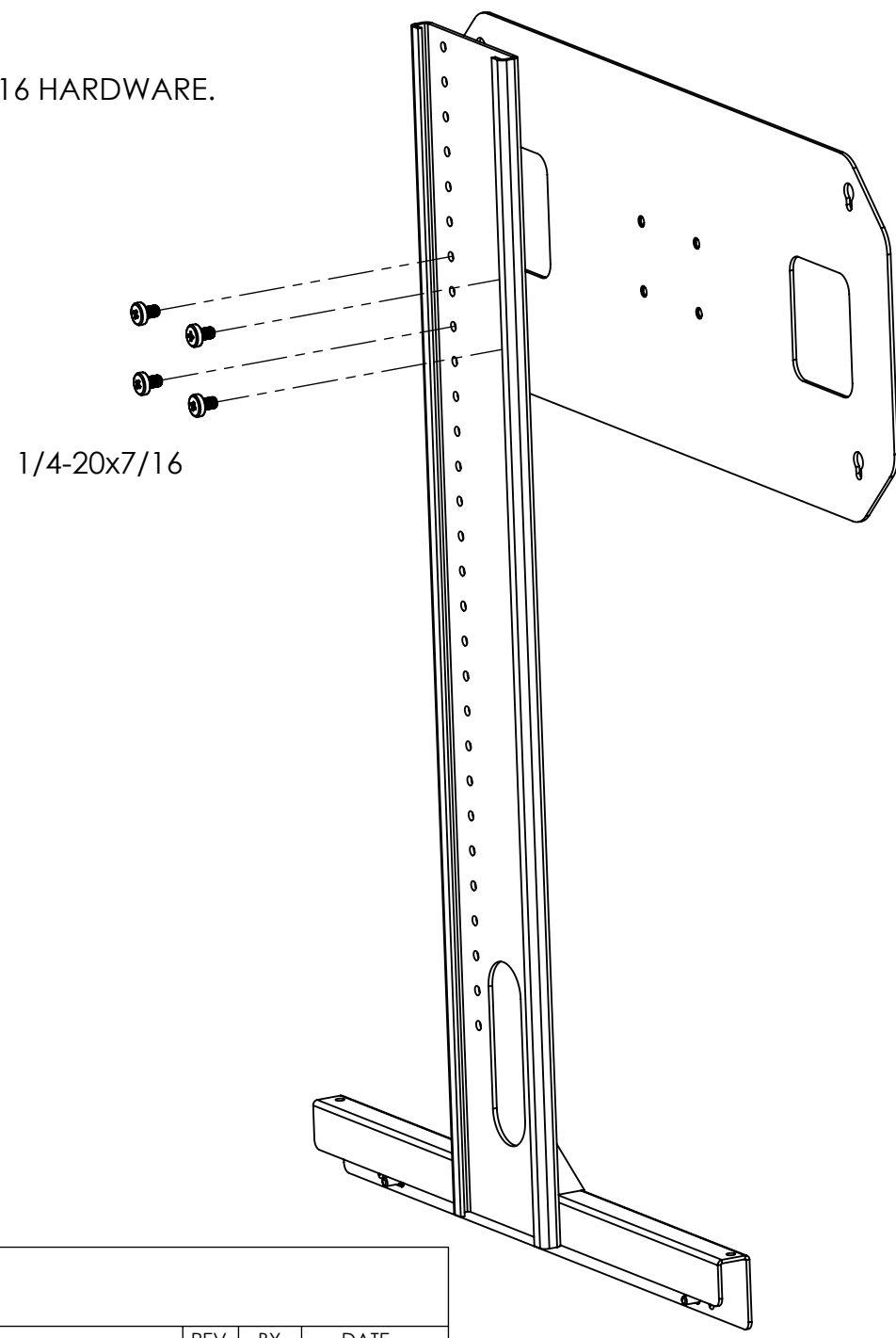


DETAIL A



STEP 4: BOLT PLATE TO CHANNEL
AT DESIRED HEIGHT WITH THE PROVIDED 1/4-20x7/16 HARDWARE.

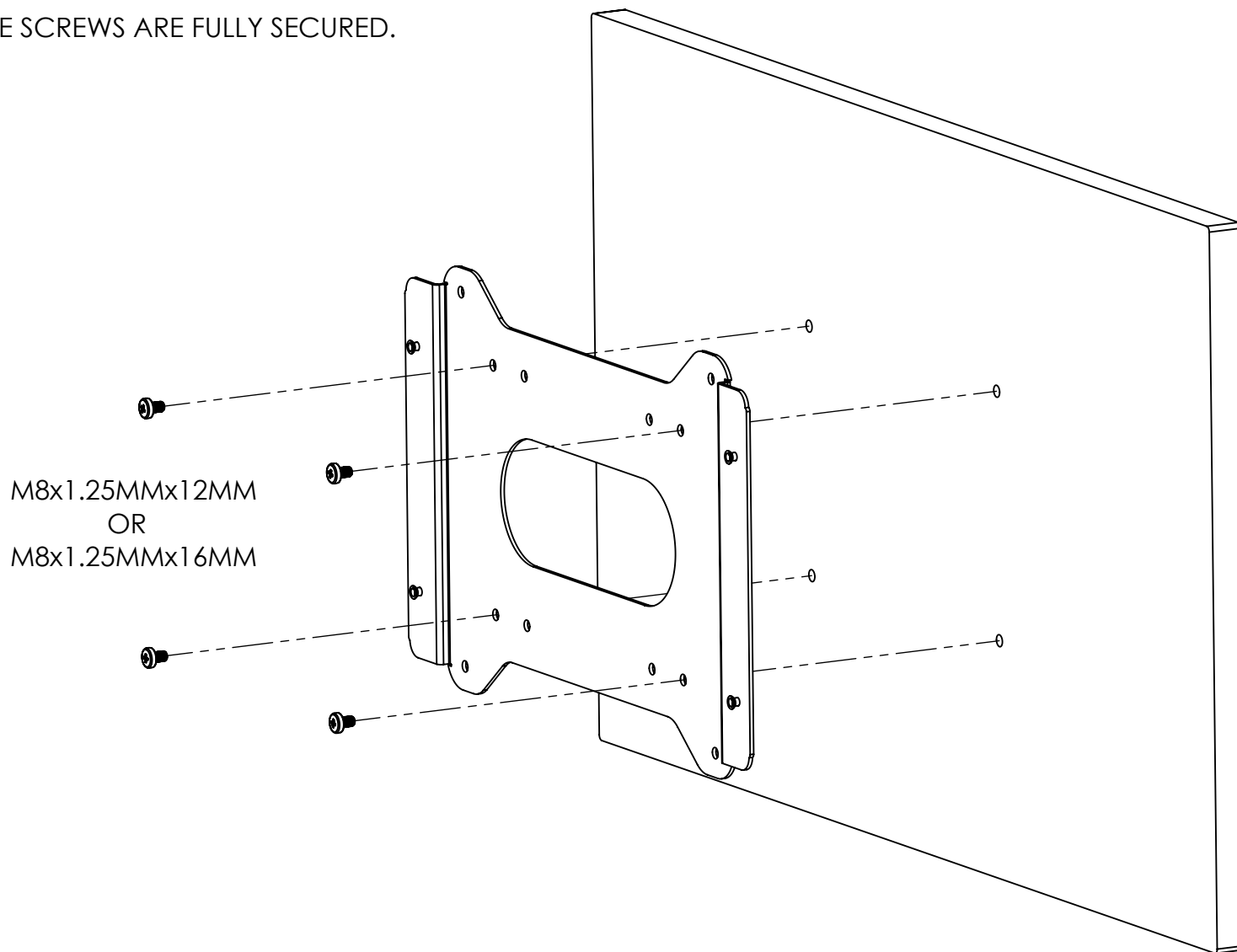
NOTE: MAKE SURE SCREWS ARE FULLY SECURED.



LAD DESCRIPTION: TV STAND		
LAD PART #: 354754IS	REV. 02	BY JH
	DATE 3/20/2026	

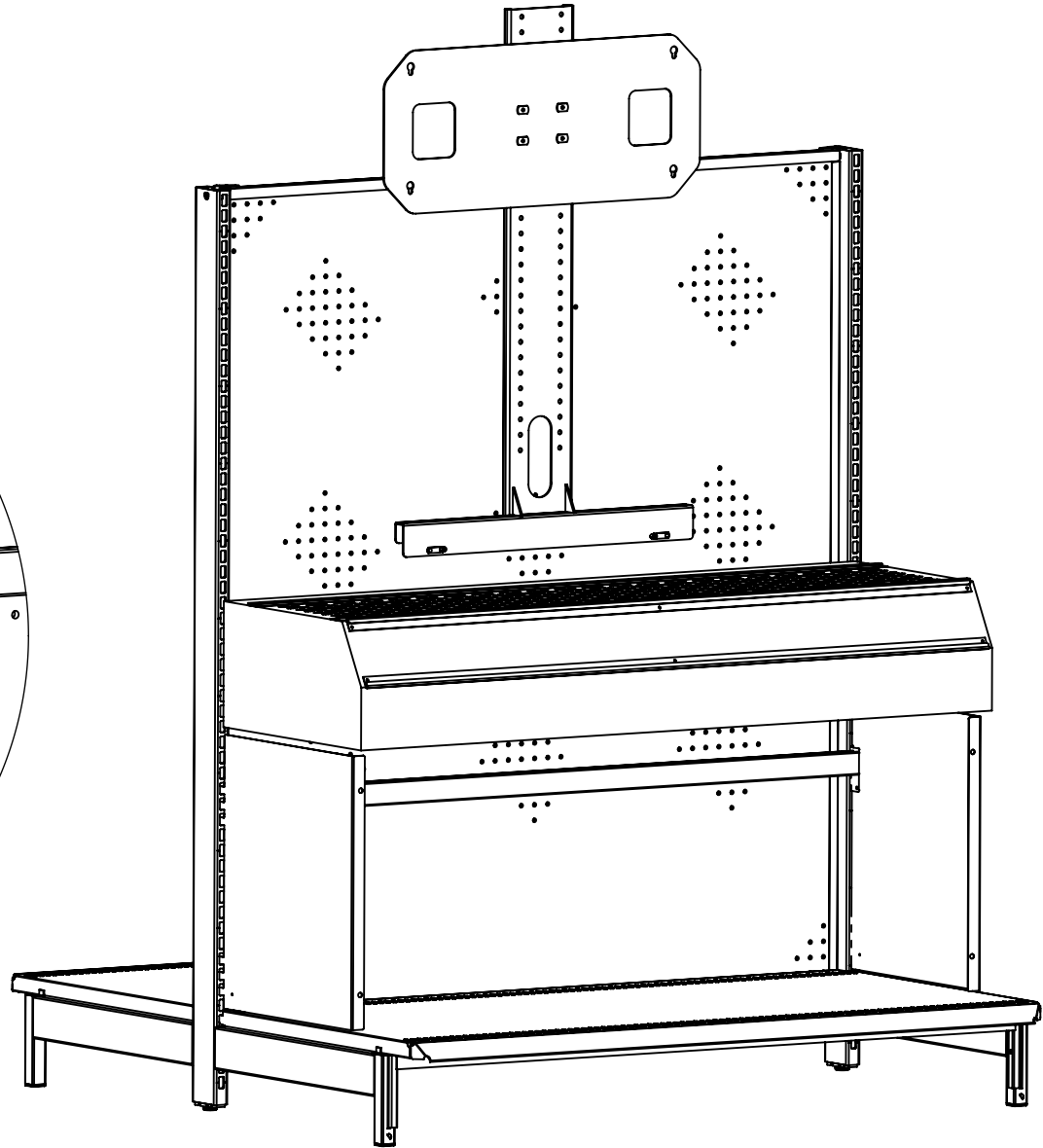
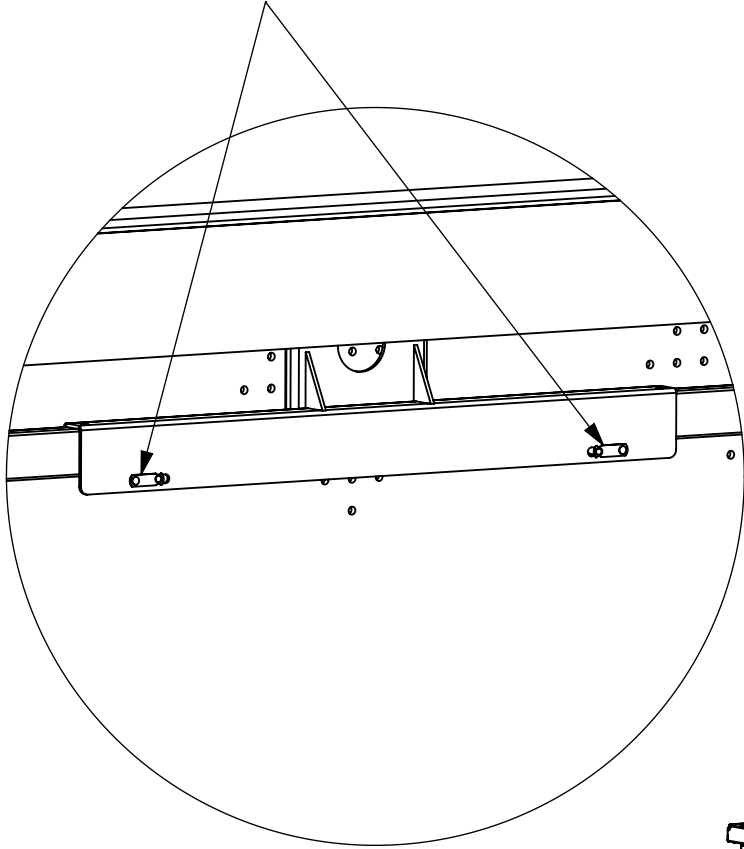
STEP 5: BOLT PLATE TO TV WITH THE PROVIDED M8 SCREWS (TWO DIFFERENT LENGTHS PROVIDED).

NOTE: MAKE SURE SCREWS ARE FULLY SECURED.



STEP 6: LOWER ONTO HANGBAR AND SECURE WITH SNAP BUTTONS.

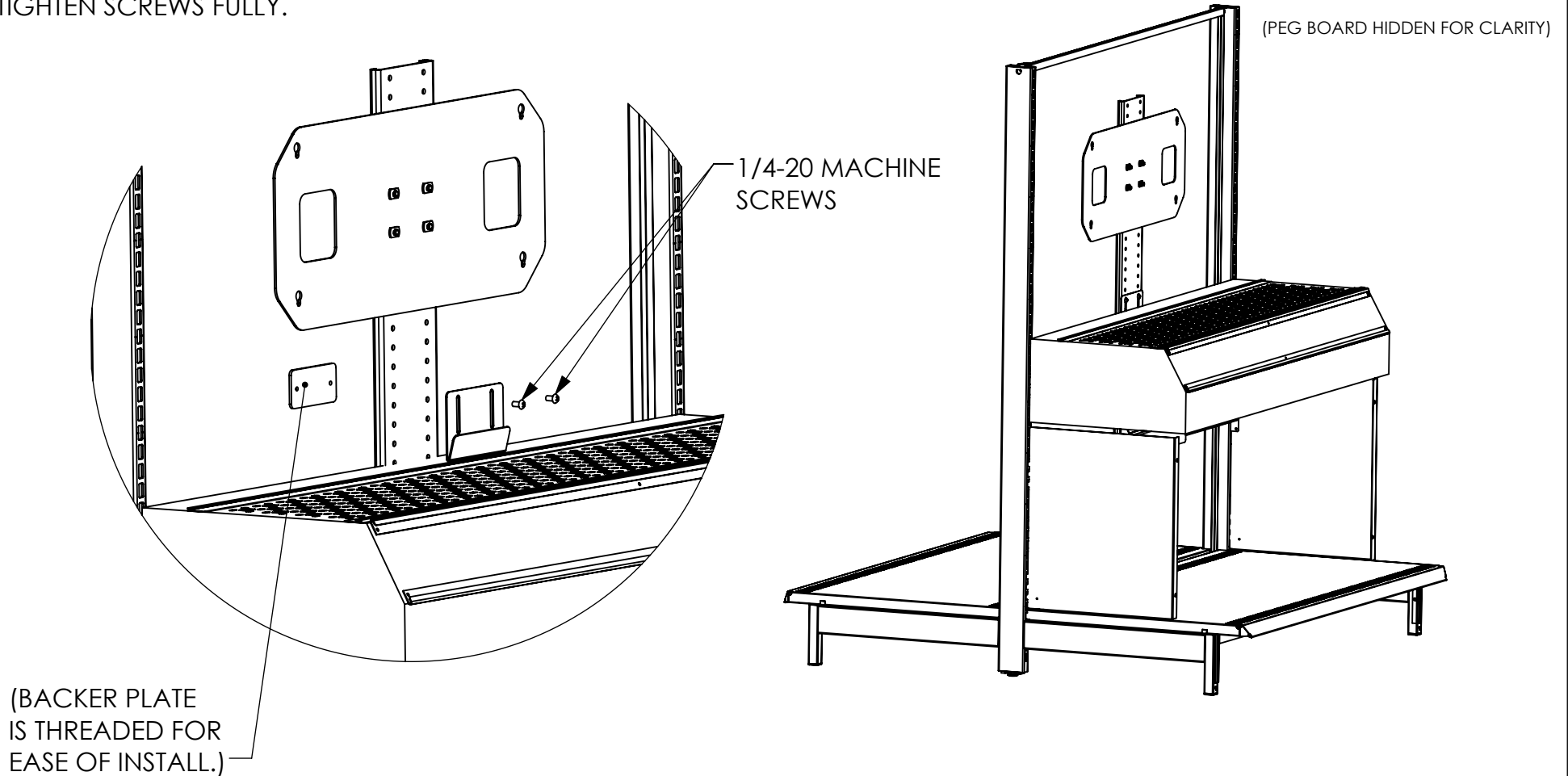
NOTE: MAKE SURE BOTH SNAP BUTTONS ARE ENGAGED BELOW THE HANGBAR.



STEP 7: INSTALL THE PROVIDED WEDGE, AS SHOWN BELOW. USE THE PROVIDED 1/4-20X0.5 MACHINE SCREWS TO ATTACH THE WEDGE TO THE STEM.

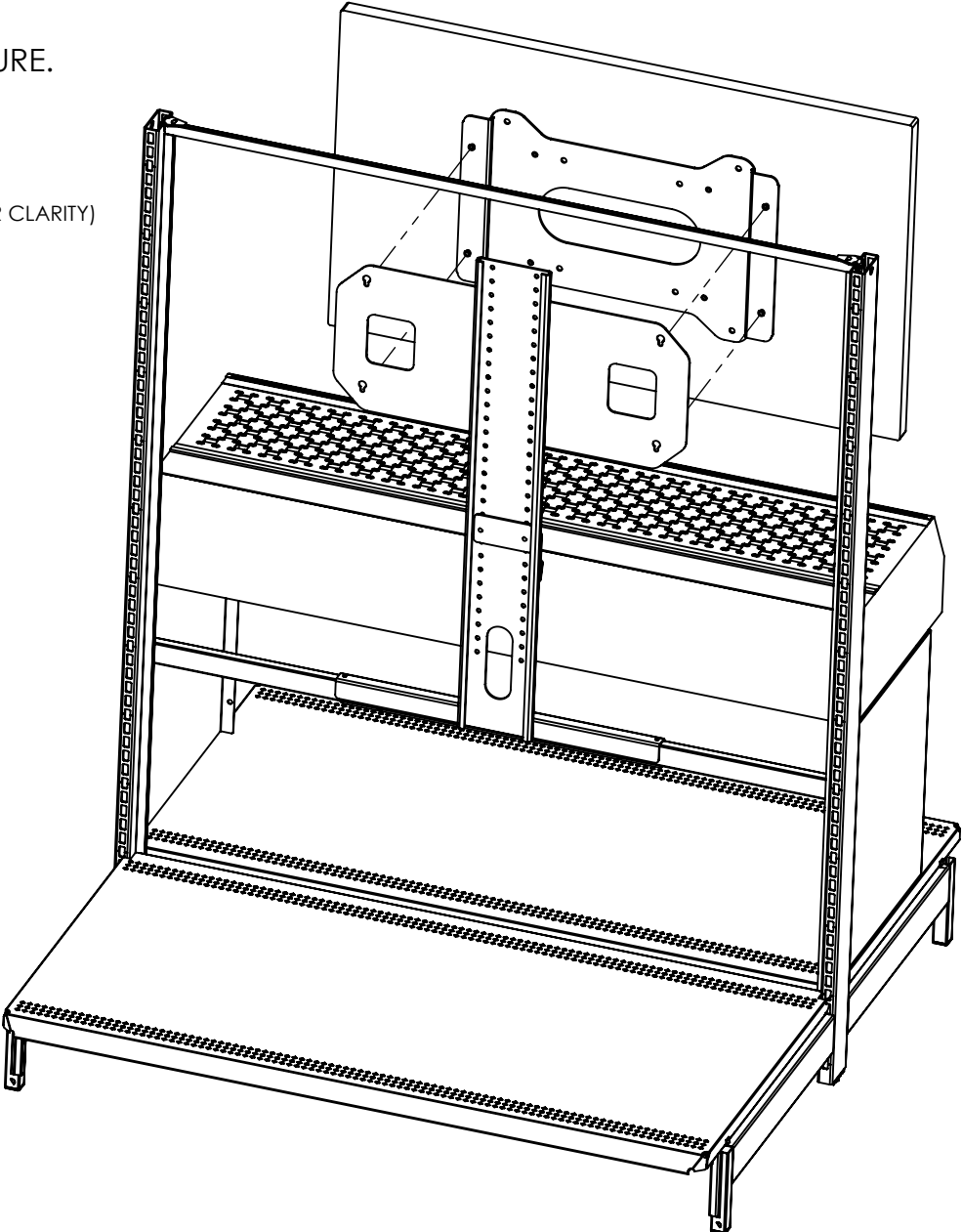
NOTE: THE WEDGE HAS SLOTS FOR MAXIMUM ADJUSTABILITY. PLACE THE WEDGE AS LOW AS POSSIBLE FOR GREATEST STRENGTH.

PLACE IN DESIRED POSITION, LOWER AS FAR AS POSSIBLE, THEN TIGHTEN SCREWS FULLY.

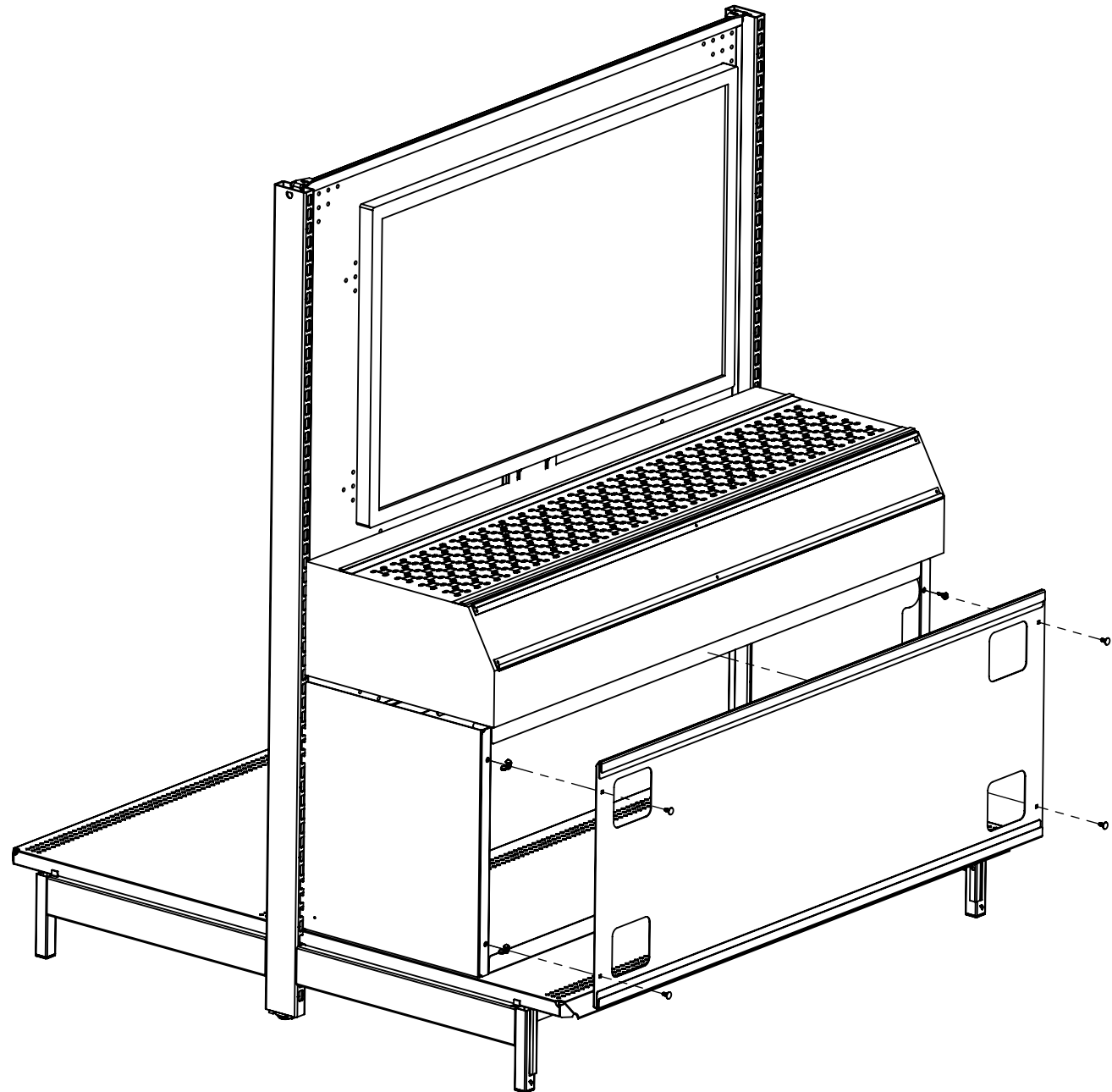


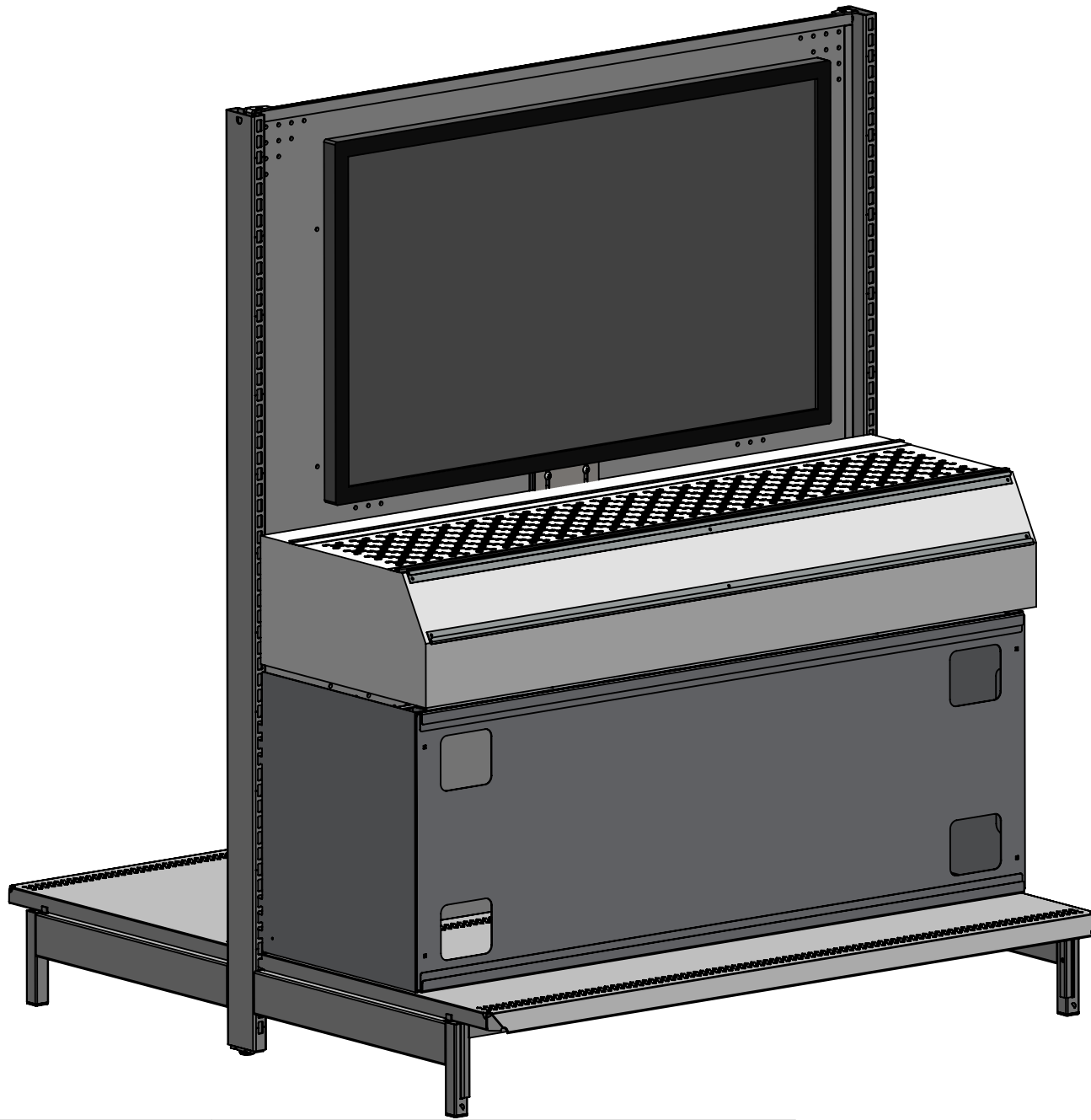
STEP 8: ATTACH TV BY INSERTING PINS
INTO SLOTS AND LOWER DOWN TO SECURE.

(PEG BOARD HIDDEN FOR CLARITY)



STEP 9: REPLACE LOWER PANEL.





LAD DESCRIPTION:
TV STAND

LAD PART #:
354754IS

REV.
02

BY
JH

DATE
3/20/2026